

# POLAM-ELTA Sp. z o.o.

LED DIODES  
LED CONTROL LAMPS

[www.polamelta.com](http://www.polamelta.com)

e-mail: [polamelta@polamelta.com.pl](mailto:polamelta@polamelta.com.pl)

Jerozolimskie Avenue 202  
02-486 Warsaw, POLAND  
tel. (+48) 22-837-22-07  
fax (+48) 22-207-24-28



## COMPLIANCE DECLARATION NR 4/07/2018

**Producer:** POLAM-ELTA Sp. z o.o.  
Jerozolimskie Avenue 202  
02-486 Warsaw

**KRS Nr:** 0000190790  
**REGON:** 001416903

We declare with a full responsibility that **LED hermetic signal lamps  $\phi$ 16** we manufacture:

**LB , LG , LO , LR , LY , LW , LRG , LRY , LGY , LRGB , LRGY** (parameters in accordance with catalogue data) comply requirements imposed by:

- 1. Low Voltage Directive** **LVD 2014/35/UE**
- 2. Directive on the essential requirements for the restriction of the use of certain hazardous substances in electrical and electronic equipment** **ROHS 2011/65/UE**

**3. The standard norms (relating to the particular parts of a product):**

- PN EN 612 36:2002 Works under voltage – bipolar indexes Nn
- PN-E-90500-1:2001 Wires of polyvinyl chloride insulation 450/750
- PN-80/E-85050 miniature light bulbs of general use
- PN-EN 983:2000 miniature light bulbs

**The year of obtaining CE sign: 07**

Warszawa 09-07-2018

.....  
*Place and date of issue*

PREZES ZARZĄDU

*Ireneusz Tonder*

.....  
*Name, position and signature of authorized person*

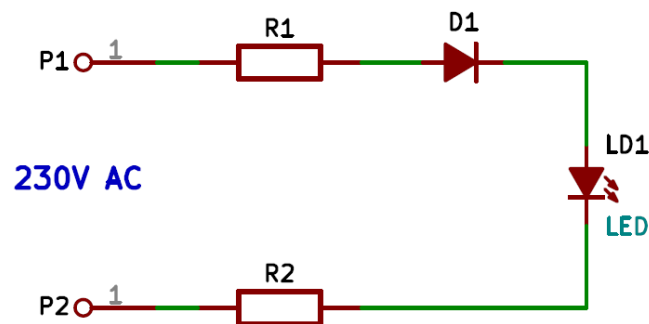
## 1. Product description:

The declaration is concerned about LED signal lamps produced for a number of voltage ranging 24V-AC - 400V-AC (24V; 30V; 48V; 60V; 110-130V; 230V; 400V) and 24V-DC – 220V-DC (24V; 30V; 48V; 60V; 110-130V; 220V). The lamps are designed for electric accessories use.

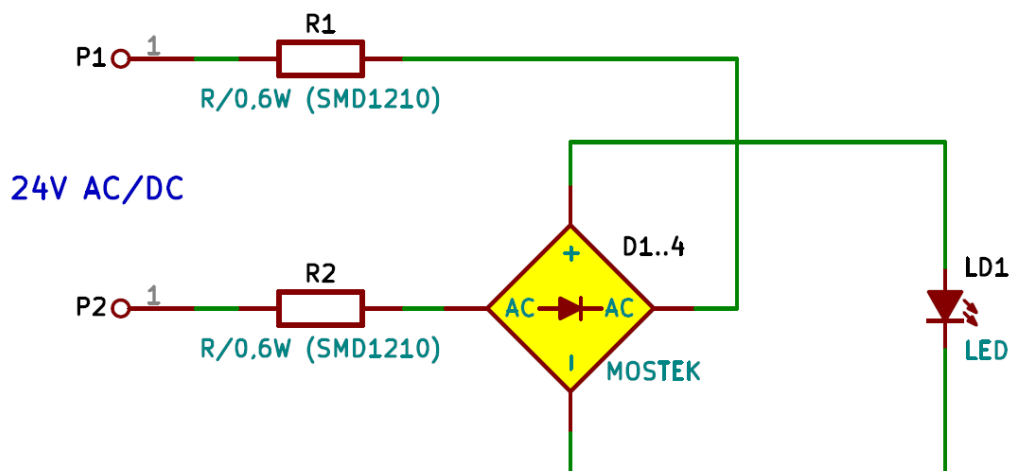
## 2. Technological documentation:

All the signal LED lamps are based on the following circuitry

### Half-wave rectifier

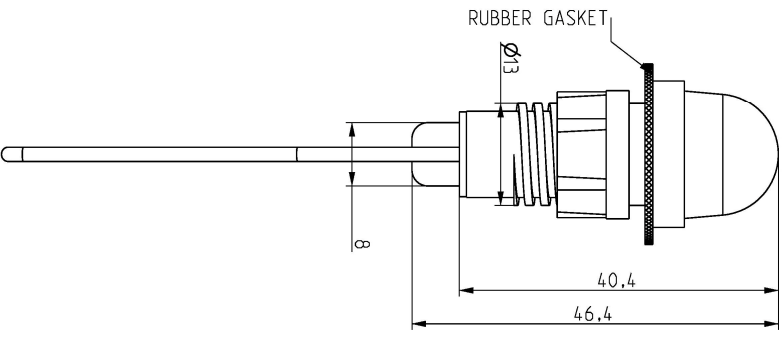
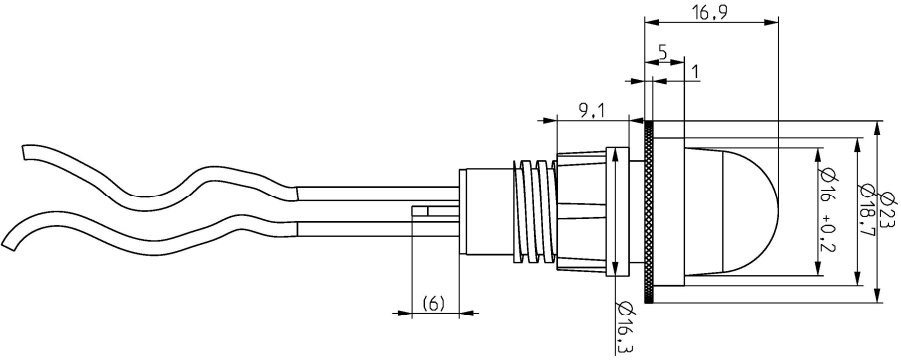


### Full-wave rectifier



The elements of casings are made from ABS material. Electric connections are made on glass-epoxy laminate of 1 mm ply. The main wire LGY0,5 is of 0,5 mm<sup>2</sup> section 450V / 750 V or connectors j 2.8. Tightness level lamp: IP67 only from the forehead or IP67 full. Ambient temperature: -40°C to +70°C. For 230 V-AC voltage, power consumption is 0,8 W and for 24V-AC/DC, it is 0,5 W.

- hermetic signal lamp  $\phi 16$



## HERMETIC LED CONTROL LAMPS $\phi 16$



### Technical parameters of lamps (230V-AC)

color	luminosity (mcd)	wave lenght (nm)	power
standard red [R] mat	340-360	630	0,8 W
super red [R] mat	3200-3400	628	0,8 W
green [G] mat	240-260	530	0,8 W
yellow [Y] mat	220-240	590	0,8 W
orange [O] mat	350-370	610	0,8 W
blue [B] mat	110-130	470	0,8 W
white [W] mat	400-450	3000 K	0,8 W

mat :  $201/2 = 180^{\circ}$ , P = 0,8 W

### Technical parameters of lamps (24V-AC/DC)

color	luminosity (mcd)	wave lenght (nm)	power
standard red [R] mat	1400-1600	630	0,5 W
super red [R] mat	6000-7000	628	0,5 W
green [G] mat	1000-1200	530	0,5 W
yellow [Y] mat	1000-1200	590	0,5 W
orange [O] mat	1200-1400	610	0,5 W
blue [B] mat	600-700	470	0,5 W
white [W] mat	1700-1900	3000 K	0,5 W

mat :  $201/2 = 180^{\circ}$ , P = 0,5 W

Update date : 02-01-2019