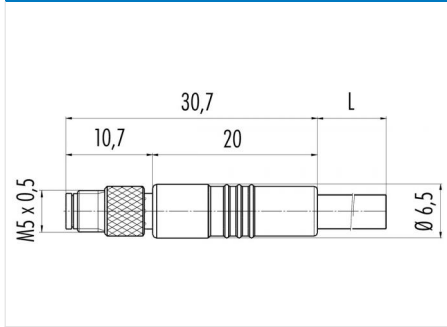


Product description	<b>M5 male cable connector, Contacts: 4, not shielded, moulded on cable, IP67, M5x0.5, PUR black, 4 x 0.14 mm<sup>2</sup></b>
Area	<b>M5 series 707</b>
Order number	<b>79 3107 55 04</b>

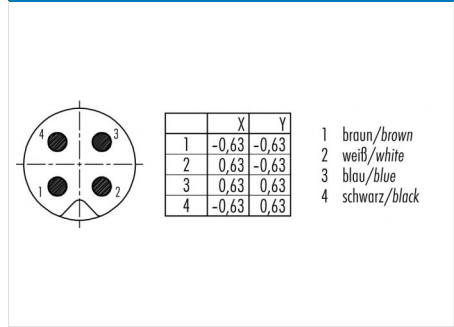
**Illustration**



**Scale drawing**



**Contact arrangement (Plug-in side)**



**Technical data**

**General values**

Connector design	male cable connector
Connector locking system	screw
Termination	moulded on cable
Wire gauge (mm)	0.14 mm <sup>2</sup>
Wire gauge (AWG)	26
Upper limit temperature	80 °C
Lower limit temperature	-25 °C
Customs tariff number	85444290

**Electrical values**

Rated current (40 °C)	1 A
Rated voltage	60 V
Rated impulse voltage	800 V
Pollution degree	3
Overvoltage category	II
Insulating material group	I
Insulation resistance	> 10 <sup>8</sup> Ω
EMC compliance	not shielded
Degree of protection	IP67
Mechanical operation	> 100 Mating cycles

**Cable data**

Cable length	5 m
Sheath material	PUR
Single-lead insulation	PVC
Halogen free	No
Single-lead structure	18x0.1 mm
Cable diameter	3.5 mm
Cable color	black
Conductor resistance	148Ω/Km
Temperature range, moving cable, °C from	-5°C
Temperature range, moving cable, °C to	+80°C
Temperature range, fixed cable, °C from	-25°C
Temperature range, fixed cable, °C to	+80°C
Bending radius, fixed cable	≥ 5 x Ø
Bending radius, moving cable	≥ 10 x Ø

**Material**

Contact material	CuZn (brass)
Contact plating	Au (gold)
Contact body material	PUR
Housing material	PUR
Locking material	CuZn (Brass nicke,I plated)
REACH SVHC	CAS 7439-92-1 (Lead)

Product description	<b>M5 male cable connector, Contacts: 4, not shielded, moulded on cable, IP67, M5x0.5, PUR black, 4 x 0.14 mm<sup>2</sup></b>
Area	<b>M5 series 707</b>
Order number	<b>79 3107 55 04</b>

## Security notices

The connectors are designed for use in plant, control system and electrical equipment. The end user is responsible for checking whether the connectors are suitable for use in other applications.

Connectors with degree of protection IP 67 and IP 68 are not suitable for use under water. When used outdoors, the connectors must be separately protected against corrosion. For further information about IP degrees of protection refer to 'Technical support' in the Download Centre.

To lock the cable connector to the equipment connector, the threaded ring is tightened until it is 'finger-tight' (approx. 50 cNm).