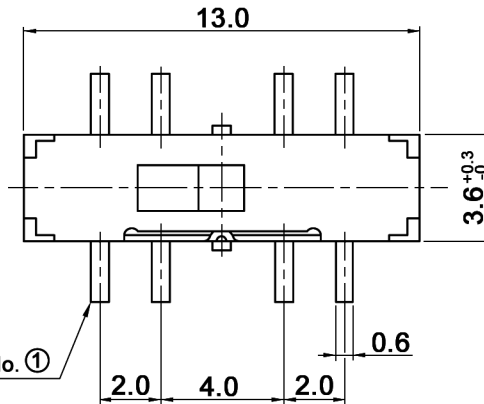
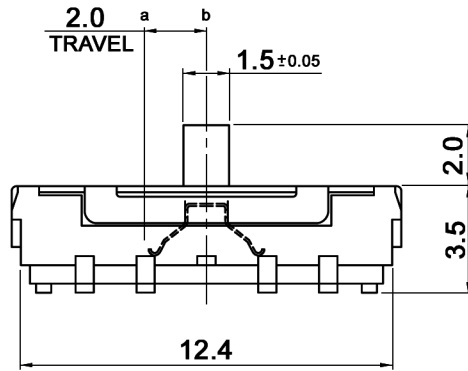
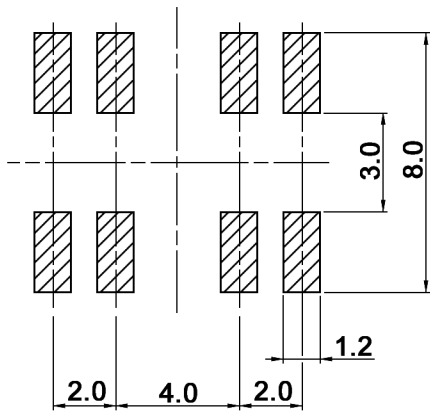


8x **A** common tolerances zone

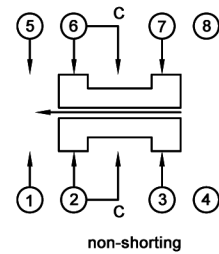
$\square \pm 0.05$



**P.C. LAYOUT**



**CIRCUIT DIAGRAM  
C: COMMON PIN**



**Compliance: RohS III (2015/863/EU)**

Tolerances: up to 10: ±0.2mm above 10-50: ±0.3mm above 50-100: ±0.5mm		Date	Name
		09/07	dr
Operating temperature	07/21	dr	
Slider	05/21	dr	
Revised	01/21	dr	
Dimension	07/16	dr	
Coplanarity	06/16	dr	
Material contact plate	07/14	dr	
Soldering conditions	07/11	dr	
Slider position	06/10	dr	
Dimensions	07/09	dr	
Material	06/09	dr	
Operating temperature	11/07	dr	
Material	09/07	dr	
Modifications	Date	Name	

**MMS 228 T**

**knitter-switch**

**30 12 35**

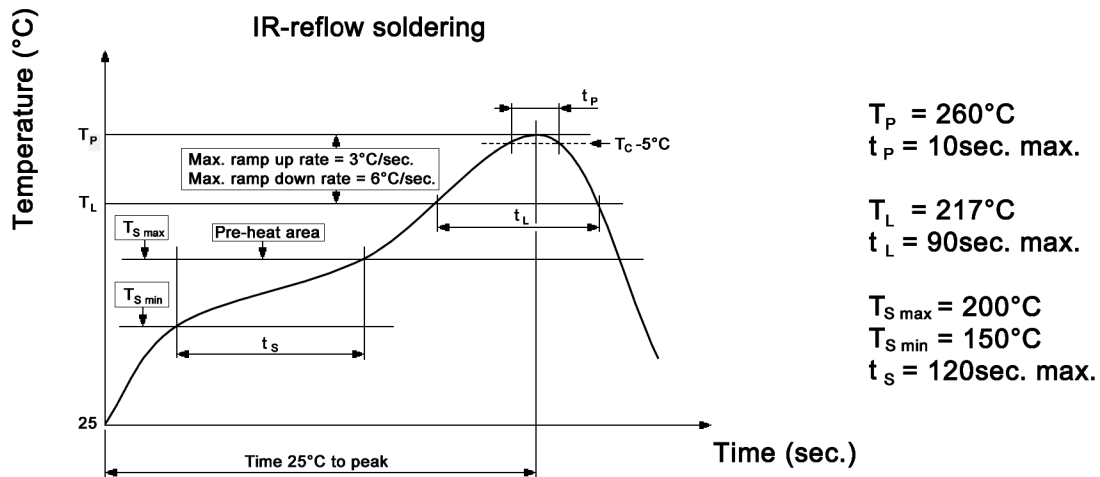
Page

1/3

**Specifications:**

**Contact rating:** 200mA, 12V DC / 300mA, 6V DC (100mA, 24V DC)  
**Contact resistance:** 70mOhm max.  
**Insulation resistance:** 100MOhm min. at 500V DC  
**Dielectric strength:** 500V, 50Hz for the duration of 1 minute  
**Operating temperature:** -40°C to +85°C  
**Mechanical life:** 10 000 cycles min.  
**Contact timing:** non-shorting  
**Switching function:** on - on  
**Material:** Terminal: brass strip, silver plated  
 Cover: SUS, washing  
 Slider: PPA, black  
 Contact plate: stainless steel, silver plated  
 Case: PPA, black

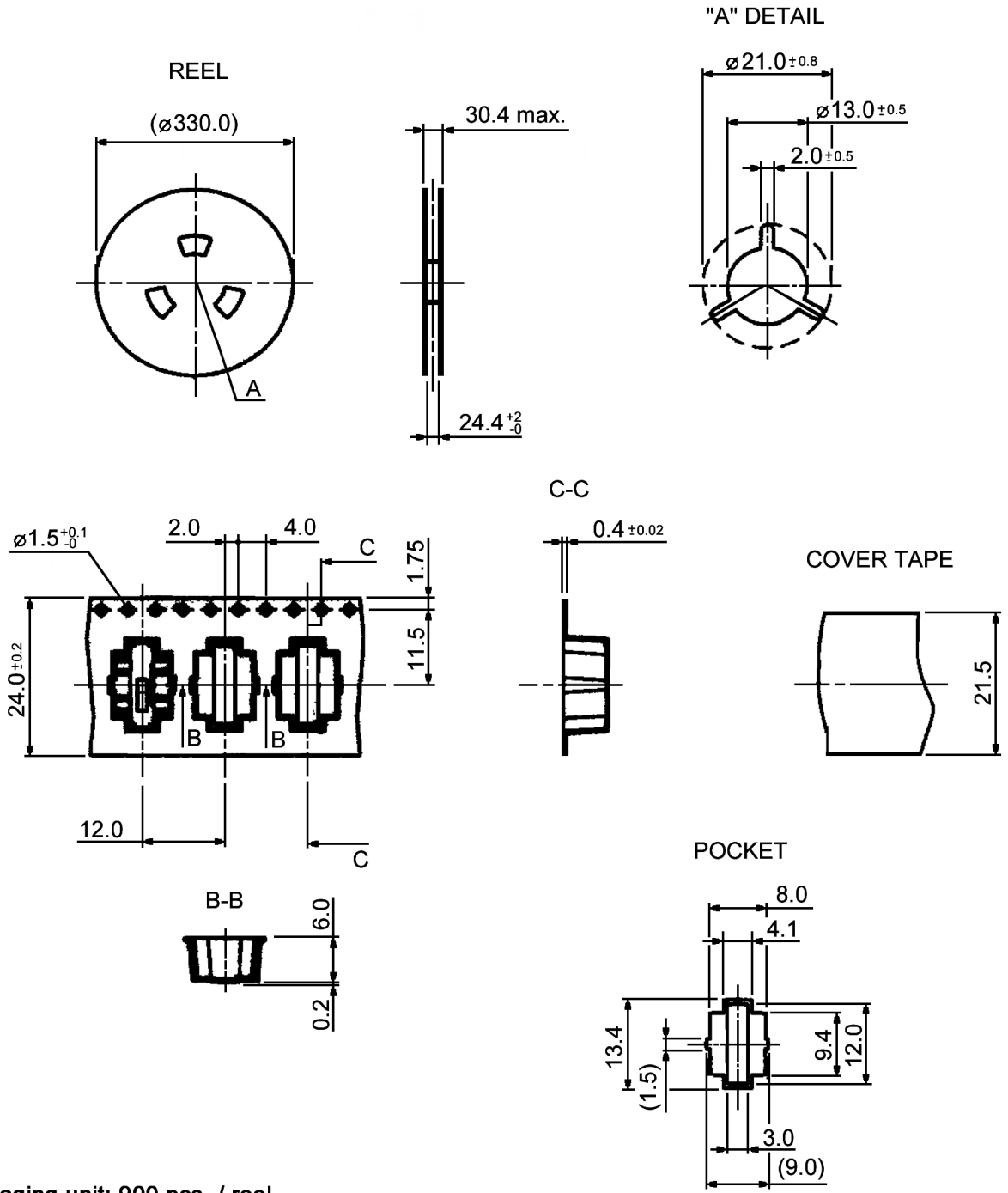
**Soldering conditions:**



**Compliance: RohS III (2015/863/EU)**

Tolerances: up to 10: ±0.2mm above 10-50: ±0.3mm above 50-100: ±0.5mm		Date	Name	<h1>MMS 228 T</h1>
		09/07	dr	
Operating temperature	07/21	dr		
Slider	05/21	dr		
Revised	01/21	dr		
Dimension	07/16	dr		
Coplanarity	06/16	dr		
Material contact plate	07/14	dr		
Soldering conditions	07/11	dr		
Slider position	06/10	dr		
Dimensions	07/09	dr		
Material	06/09	dr		
Operating temperature	11/07	dr		
Material	09/07	dr		
Modifications	Date	Name		
<b>knitter-switch</b>			<b>30 12 35</b>	Page 2/3

Packaging:



Packaging unit: 900 pcs. / reel  
 Compliance: RohS III (2015/863/EU)

Tolerances: up to 10: ±0.2mm above 10-50: ±0.3mm above 50-100: ±0.5mm		Date	Name
		09/07	dr
Operating temperature	07/21	dr	
Slider	05/21	dr	
Revised	01/21	dr	
Dimension	07/16	dr	
Coplanarity	06/16	dr	
Material contact plate	07/14	dr	
Soldering conditions	07/11	dr	
Slider position	06/10	dr	
Dimensions	07/09	dr	
Material	06/09	dr	
Operating temperature	11/07	dr	
Material	09/07	dr	
Modifications	Date	Name	

**MMS 228 T**

**knitter-switch**

**30 12 35**

Page

3/3