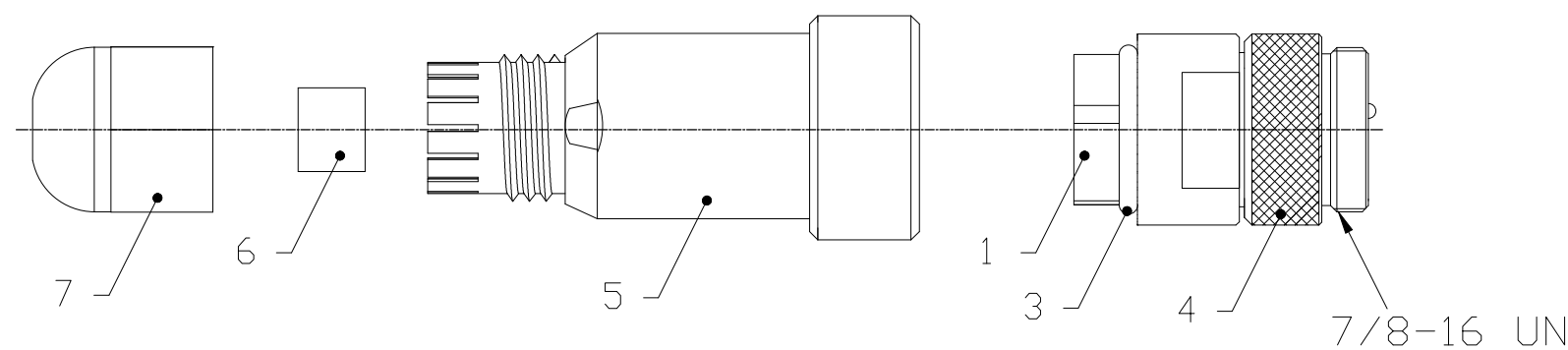
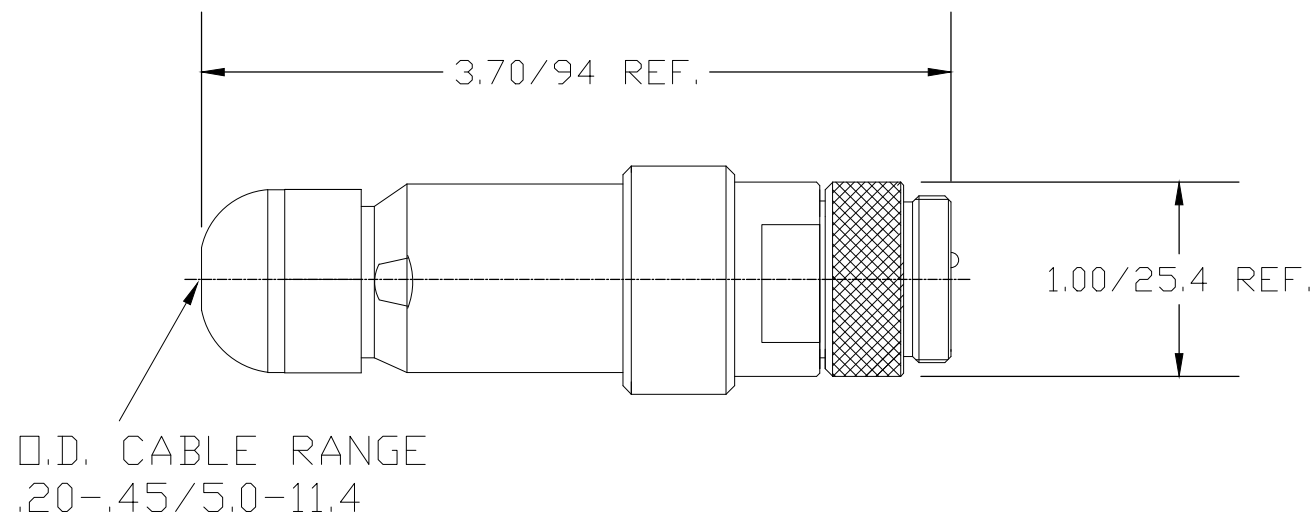
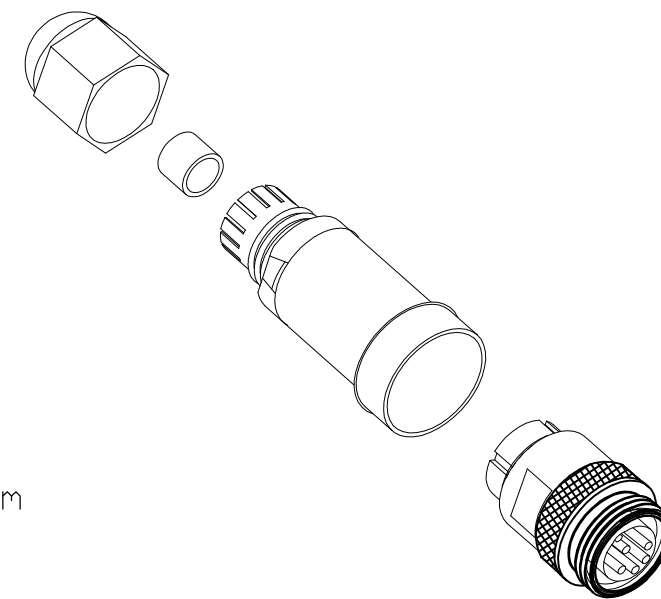


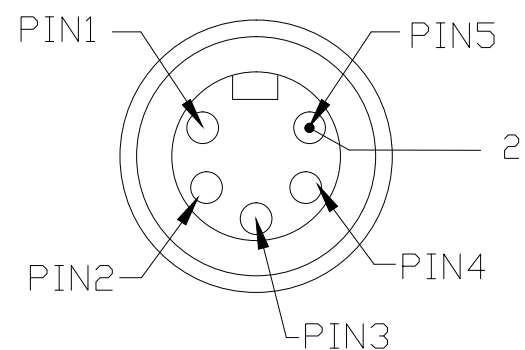
MATERIAL NUMBER	ENGINEERING PART NUMBER	COUPLING NUT MATERIAL	COUPLING NUT FINISH
1300170029	1A5006-34	BRASS	NICKEL PLATED
1300170030	1A5006-348	STAINLESS STEEL	PASSIVATED

TORQUE RECOMMENDATION:

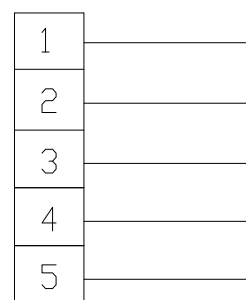
CABLE SCREW: 2.4Nm
 THREAD BETWEEN HOUSING AND INSERT: 1.2Nm
 STRAND SCREW (CONTACT): 0.6Nm



(B)



MALE FACE VIEW



WIRING CHART

VOLTAGE RATING	600VAC/VDC
AMPERAGE RATING	8 AMPS
PROTECTION	IP67
OPERATING TEMPERATURE	-20°C TO 80°C
CSA CERTIFICATIONS	CSA CERTIFIED, FILE NO. LR6837

ITEM	COMPONENT	MATERIAL	FINISH
1	INSERT	NYLON	BLACK
2	PIN CONTACTS	COPPER ALLOY	GOLD PLATED
3	O-RING	NITRILE	BLACK
4	COUPLING NUT	SEE CHART	SEE CHART
5	MOLDED BODY	NYLON	BLACK
6	GROMMET	NITRILE	BLACK
7	CORD GRIP BODY	NYLON	BLACK

OD RANGE WAS .20-.48 EC NO: IPG2013-1684 DRWN: RSTONE CHKD: BW APPR: BWOODMAN 2009/08/26	5/1/13 DESCRIPTION REV	QUALITY SYMBOLS ▽ = 0 ▽ = 0	GENERAL TOLERANCES (UNLESS SPECIFIED)		DIMENSION STYLE IN/MM	SCALE ---	DESIGN UNITS INCH	THIRD ANGLE PROJECTION
		4 PLACES ±--- ±--- 3 PLACES ±--- ±--- 2 PLACES ±--- ±.01 1 PLACE ±0.3 ±--- 0 PLACE ±--- ±---	mm INCH	DRAWN BY DATE TWOLDEGE 2009/08/25 CHECKED BY DATE APOHL 2013/02/14 APPROVED BY DATE JFMURPHY 2009/08/26	FA MC 5P AC MA STR UNSH BK AU			
		ANGULAR ± 1 °	SEE CHART	MATERIAL NO.	DOCUMENT NO.	SHEET NO.		
		DRAFT WHERE APPLICABLE MUST REMAIN WITHIN DIMENSIONS	SIZE A3	THIS DRAWING CONTAINS INFORMATION THAT IS PROPRIETARY TO MOLEX INCORPORATED AND SHOULD NOT BE USED WITHOUT WRITTEN PERMISSION				

molex

SD-130017-009

1 OF 1