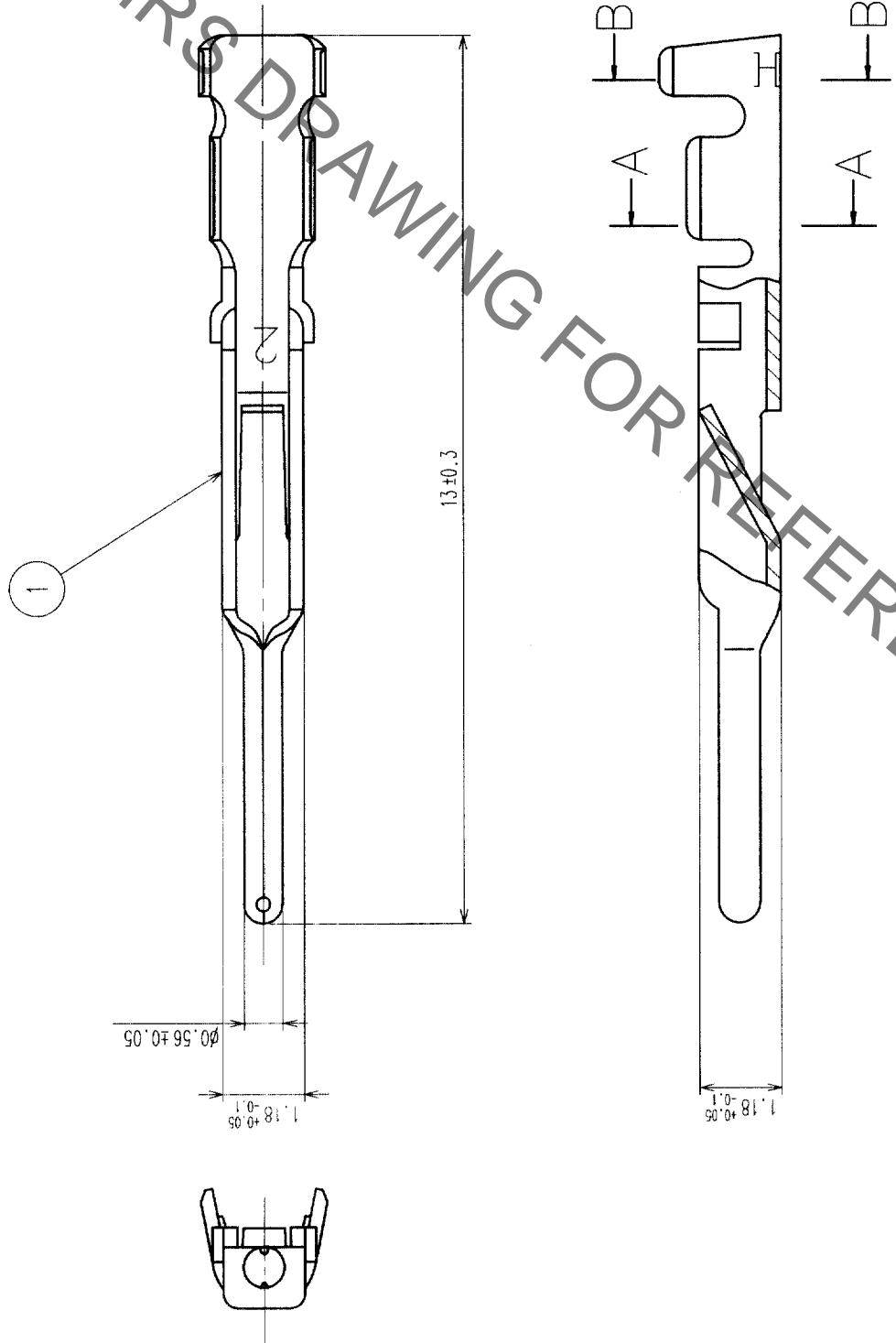
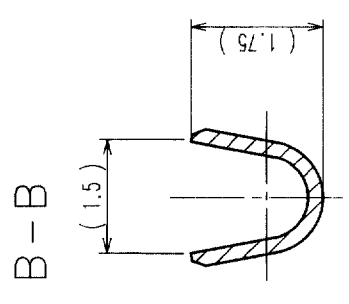
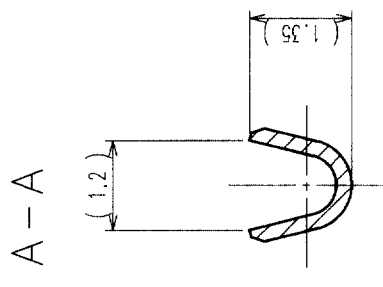


1	2	3	4	5	6	7	8		
COUNT	DESCRIPTION OF REVISIONS	BY	CHKD	DATE	COUNT	DESCRIPTION OF REVISIONS	BY	CHKD	DATE
△					△				
△					△				
△					△				



- NOTE
- 1 APPLICABLE WIRE: AWG#24-28 (JACKET DIAMETER φ1.15 MAX)
 - 2 APPLICABLE CRIMPING TOOL: HR22-TA2428HC (CL150-0200-4)
 - 3 APPLICABLE CRIMP CONTACT EXTRACTION TOOL: RP6-SC-TP (CL150-0039-0)
 - 4 A PACKAGE CONTAINING 100 PIECES.

1		PHOSPHOR BRONZE SILVER PLATED		FINISH, REMARKS		MATERIAL		FINISH, REMARKS	
NO.	MATERIAL	FINISH, REMARKS	NO.	MATERIAL	CHECKED	APPROVED	RELEASED		
CODE NO. (OLD)			DRAWN	DESIGNED	CHECKED	APPROVED	RELEASED		
			<i>O. Matsumoto</i>	<i>H. Zembura</i>	<i>M. Sato</i>	<i>M. Goshida</i>			
			99.10.06	99.10.06	99.10.06	99.10.07			
DRAWING NO.		PART NO.		FINISH, REMARKS					
EDC3-044339		HR22-PC-122							
SCALE	10 : 1	CODE NO.		CL122-0017-9					
UNITS	MM	HIROSE ELECTRIC CO., LTD							

