

6

5

4

3

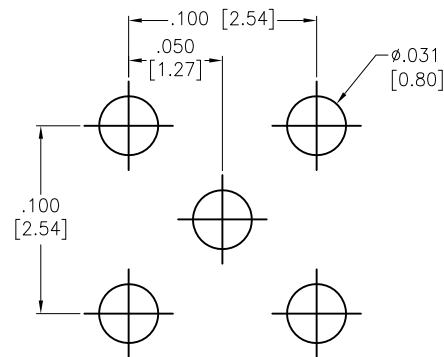
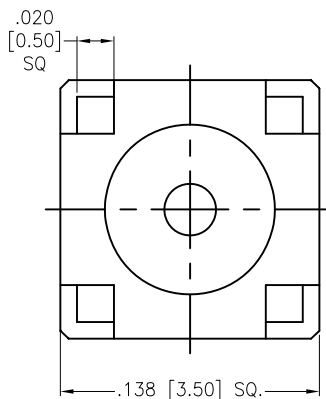
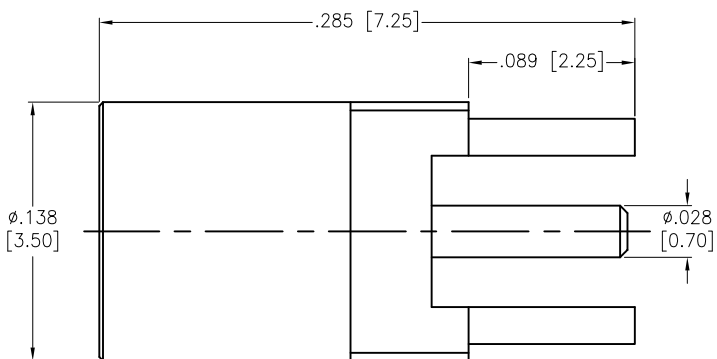
2

1

APPROVED: \_\_\_\_\_

DATE: \_\_\_\_\_ TITLE: \_\_\_\_\_

Rev	AWO #	Description	Date	Appr
-		RELEASED	7/20/16	



RECOMMENDED PCB LAYOUT

CONTACT PIN	BE CU	GOLD
INSULATOR	PTFE	WHITE
BODY	BRASS	GOLD
DESCRIPTION	MATERIAL	FINISH

**SPECIFICATIONS:**

Electrical:

Nominal Impedance: 50 ohms

Frequency range: 0-6 GHz

Working Voltage: 170 VOLTS Max

Proof Voltage: 500 VOLTS

Temperature Rating:

Operating temperature: -55°C to +155°C

Environmental:

Lead free, RoHS compliant.



UNLESS OTHERWISE SPECIFIED  
 ALL DIMENSIONS ARE INCHES [MM]  
 TOLERANCES: EXCEPT AS NOTED

.X	± .10	Ø.X	± .10
.XX	± .020	Ø.XX	± .015
.XXX	± .015	Ø.XXX	± .010

# ADAM TECH

909 Rahway Avenue, Union, NJ 07083  
Phone: 908-687-5000 Fax: 908-687-5710

APPROVALS		DATE
DRAWN	AY	7/20/16
CHECKED	SY	7/20/16
APPROVED		

TITLE RF CONNECTOR, TYPE MMCX ST. JACK, 50 OHM, PCB MOUNT		
SIZE X	PART NO. RF12-07E-T-00-50-G	REV. -
REF: S00277T	SCALE: NTS	SHEET 1 OF 1

6

5

4

3

2

1