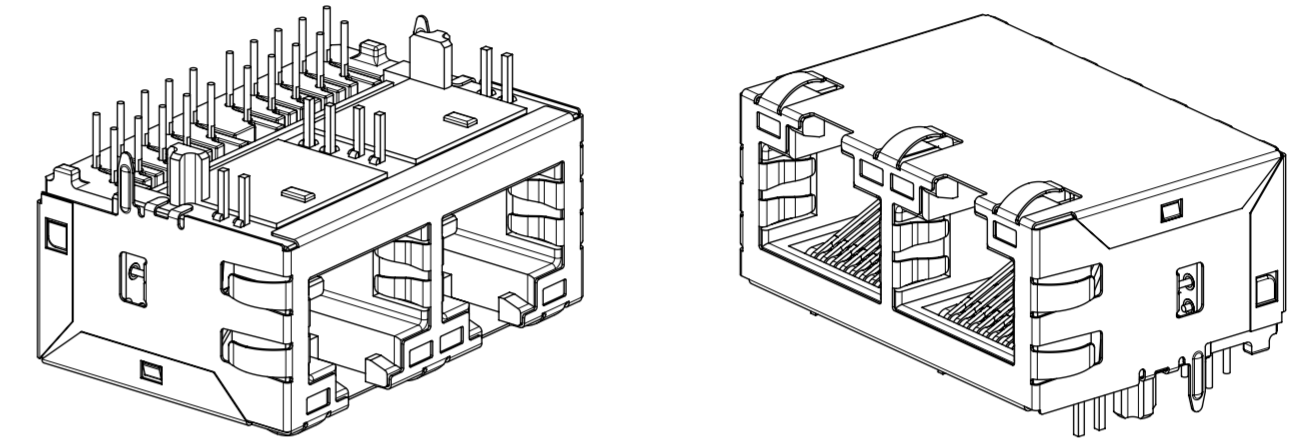
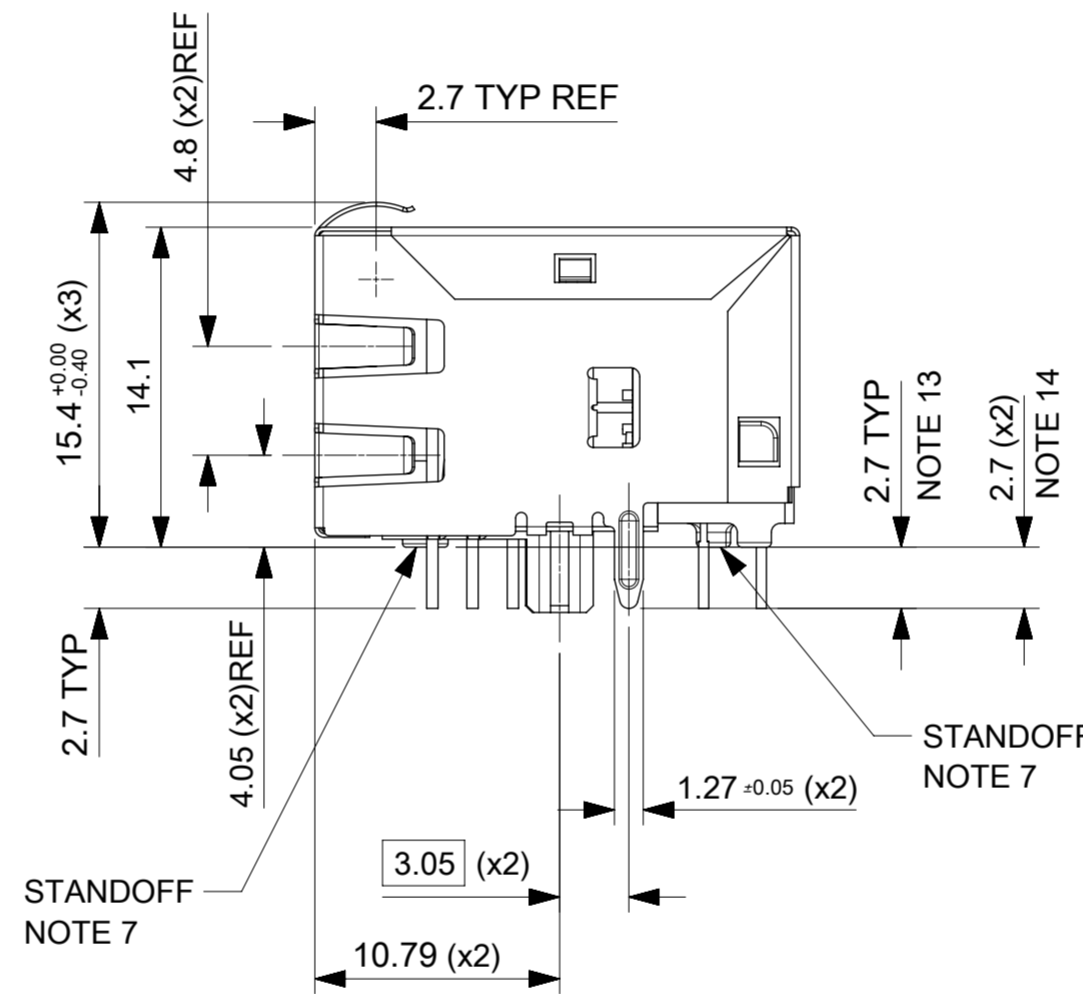
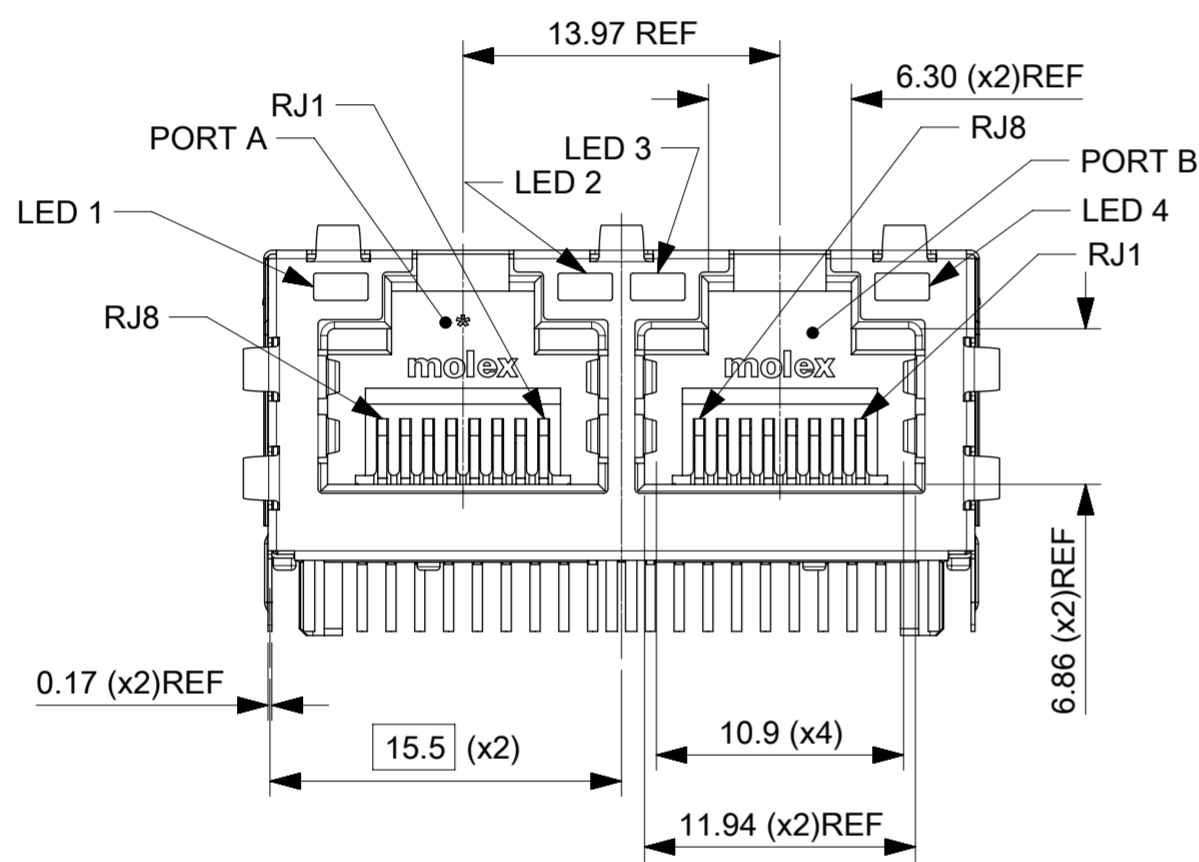


PART NO.	LED COLOR			
	LED 1	LED 2	LED 3	LED 4
938263006	GREEN	YELLOW	GREEN	YELLOW

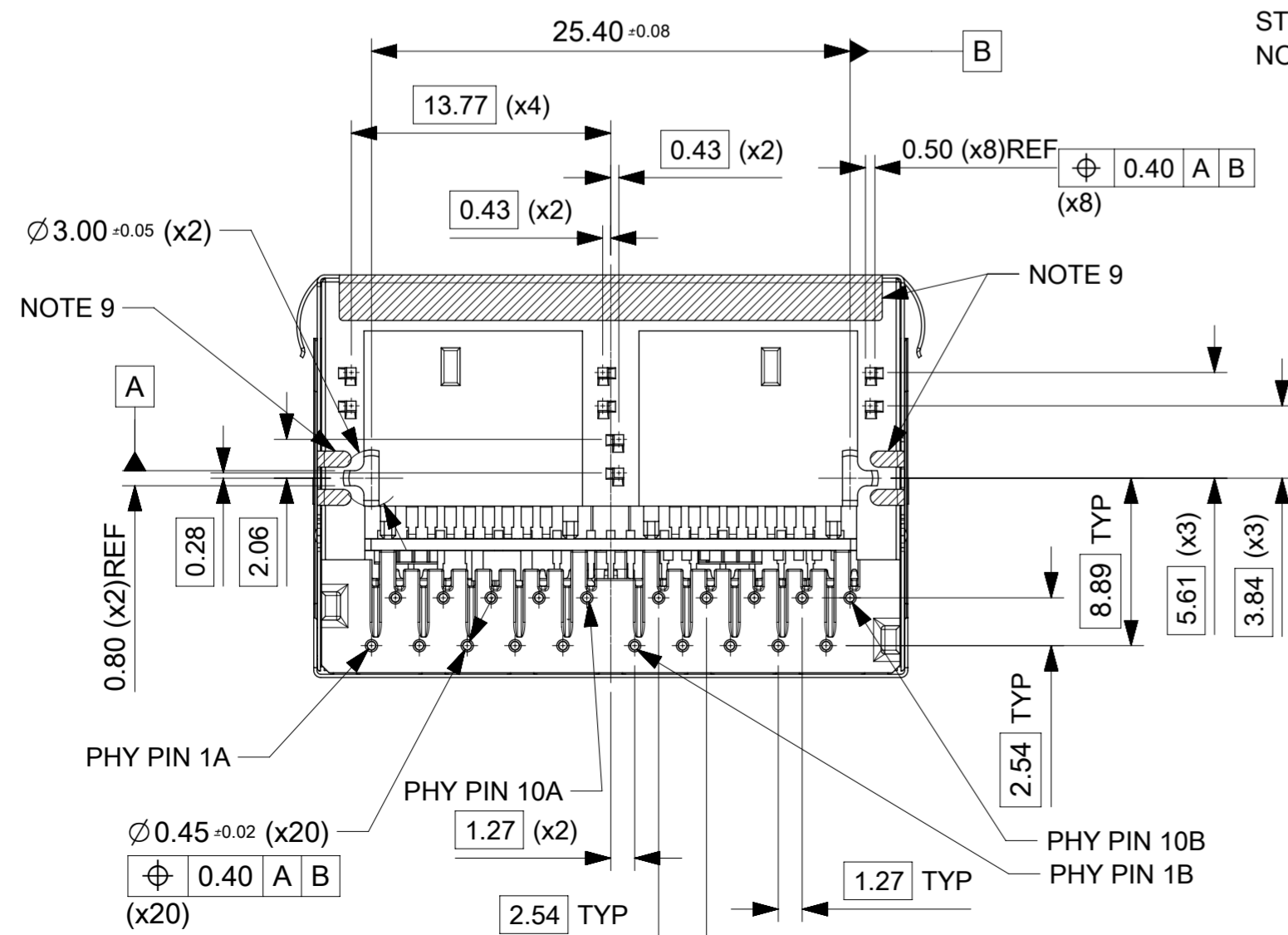


INVERTED PROFILE DUAL PORT MAGNETIC JACK  
GIGABIT ETHERNET  
WITH LED  
WITH SHIELD TABS



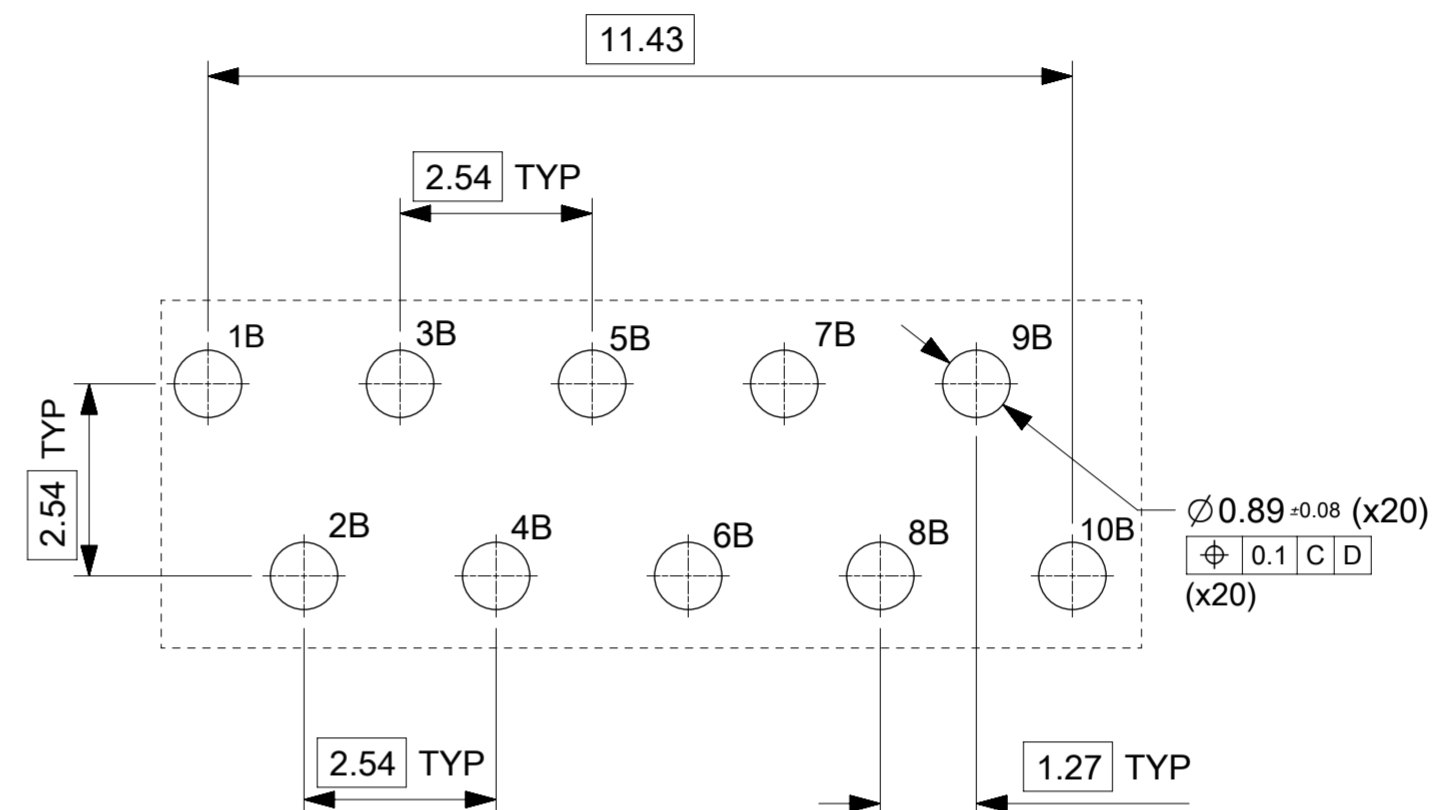
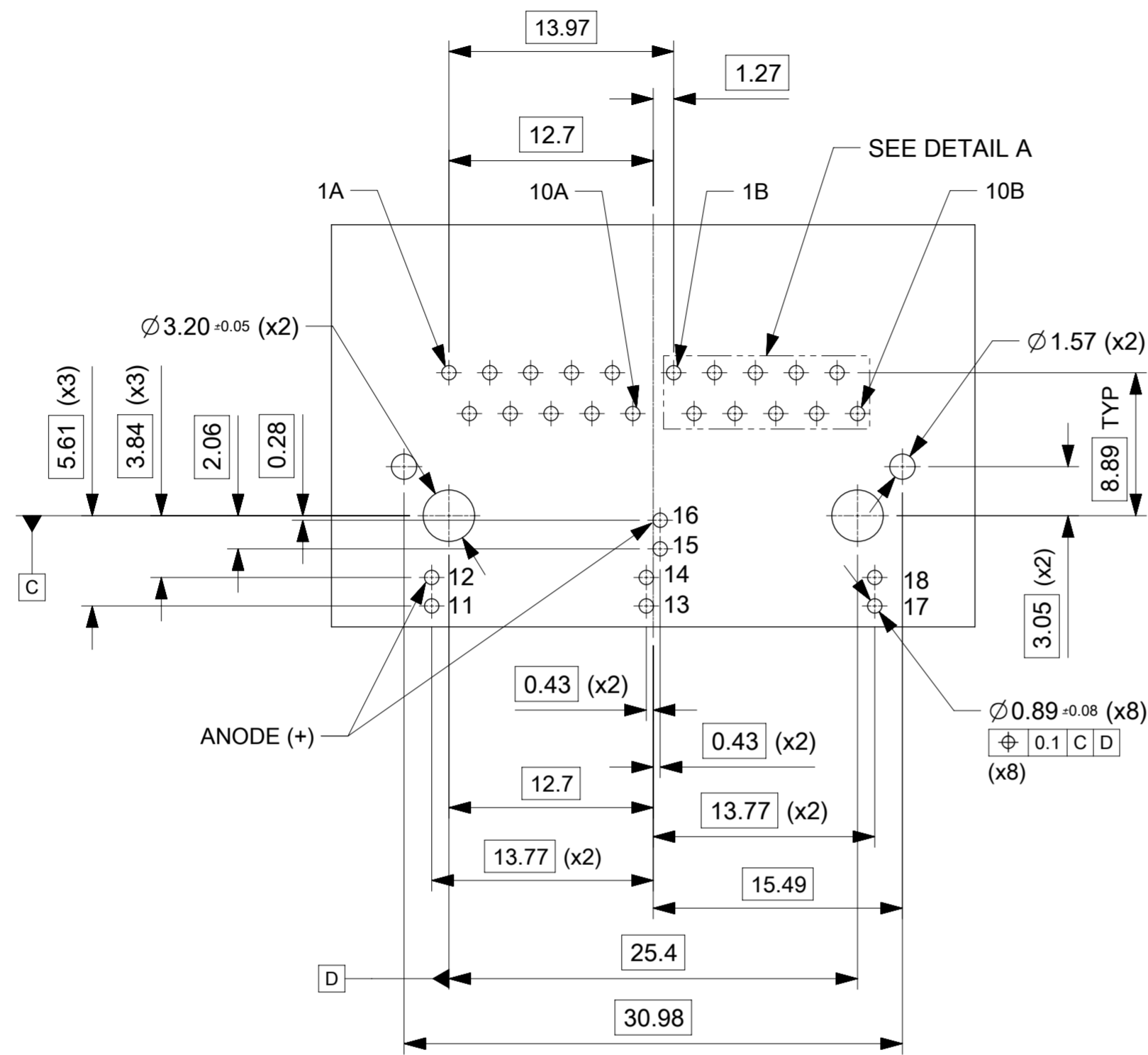
NOTES:

- SHIELD MATERIAL: 0.17 mm THICK BRASS PRE-PLATED WITH NICKEL  
SOLDER TABS POST DIPPED WITH MIN. 1.27 μm TIN
- HOUSING MATERIAL: LCP, BLACK, UL 94V-0
- TERMINALS MATERIAL: PHOSPHOR BRONZE  
RJ45 CONTACTS PLATING: BASE NICKEL PLATED WITH GOLD  
FLASH OVER PALLADIUM NICKEL. REFER TO 934620001 PSP  
PHY SOLDER TAILS: COPPER ALLOY
- MATING INTERFACE ACCORDING TO IEC 60603-7 & TIA-1096-A
- PRODUCT SPECIFICATION: 934620001 PSP
- PACKAGING SPECIFICATION: 938240001 PSK TRAY
- STAND OFF TO SYSTEM BOARD 0.30 mm MIN
- RECOMMENDED PCB THICKNESS: 1.6 mm
- SHIELD: AVOID ROUTING TRACES  
OR PLACING ANY VIAS BELOW THESE AREAS.
- MATERIAL COMPLIANT TO RoHS DIRECTIVE 2002/95/EC
- INSCRIPTION MARKED BY LASER:  
1st: MOLEX  
2nd: PART NUMBER
- INSCRIPTION MARKED BY LASER:  
DATE CODE (DAY/WEEK/YEAR)
- PHY PIN LENGTH
- SHIELD SOLDER TAB LENGTH

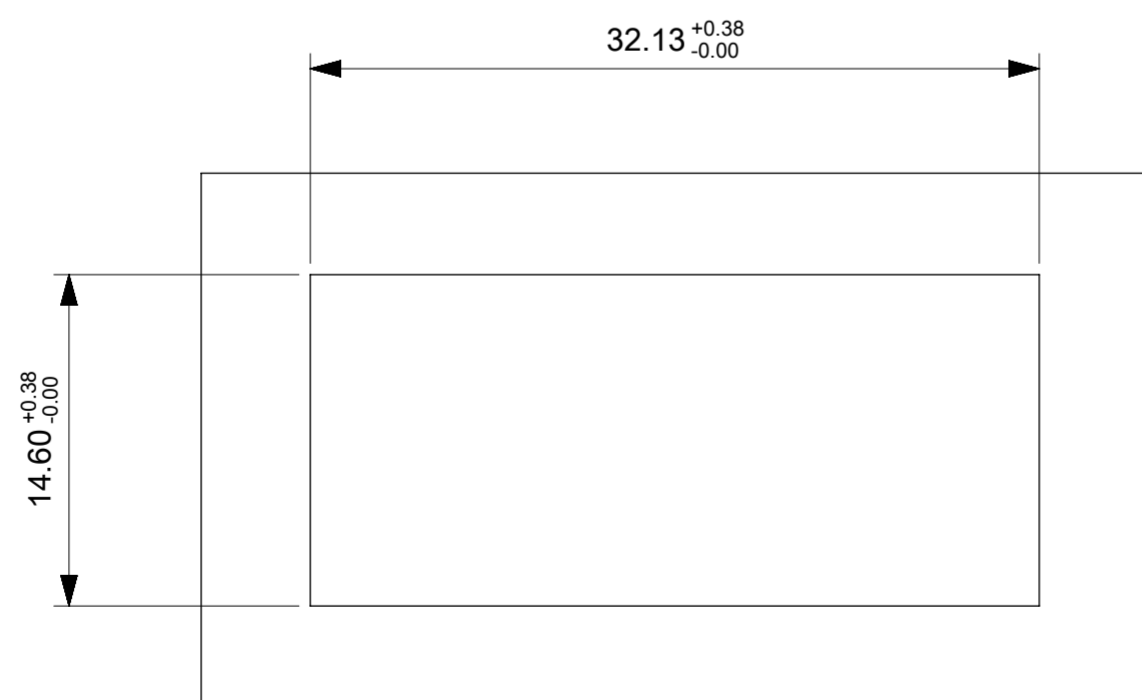


ORIGINAL RELEASE		GENERAL TOLERANCES (UNLESS SPECIFIED)		DIMENSION UNITS		SCALE		<b>molex</b>		
2017/10/17		±		mm		3:1				
2017/10/23		ANGULAR TOL ± 2.0 °		DRWN BY		DATE		PRODUCT CUSTOMER DRAWING		
2017/11/07		4 PLACES ±		DSHEA		2017/05/31				
2017/11/07		3 PLACES ±		CHK'D BY		DATE		93826 SEE CHART GENERAL MARKET		
2017/11/07		2 PLACES ± 0.1		SMCGREEVY		2017/10/23				
2017/11/07		1 PLACE ± 0.2		APPR BY		DATE		938260003 PSD 000 1 OF 3		
2017/11/07		0 PLACES ±		DBYRNES		2017/11/07				
2017/11/07		DRAFT WHERE APPLICABLE MUST REMAIN WITHIN DIMENSIONS		DRAWING SIZE		THIRD ANGLE PROJECTION		A2		
2017/11/07		EC NO: 123046		DRWN: DSHEA		CHKD: SMCGREEVY				
2017/11/07		REV: APPR: DBYRNES		REV: APPR: DBYRNES		REV: APPR: DBYRNES		A		

RECOMMENDED PCB LAYOUT  
GIG VERSION W/ LED  
COMPONENT SIDE  
ALL DIMENSIONS REF DIMENSIONS



DETAIL A  
SCALE 10:1



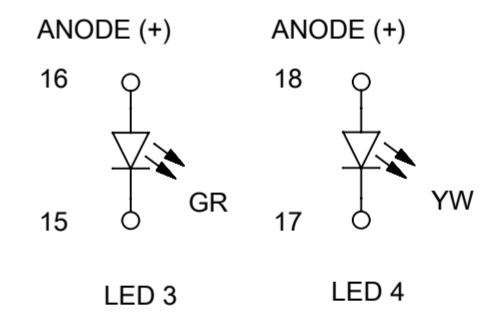
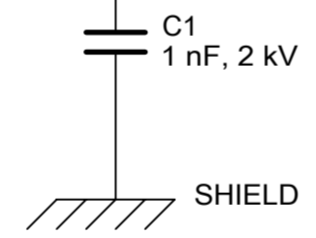
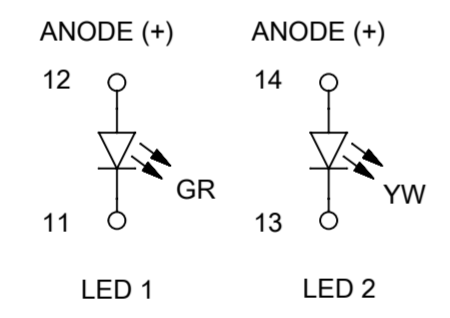
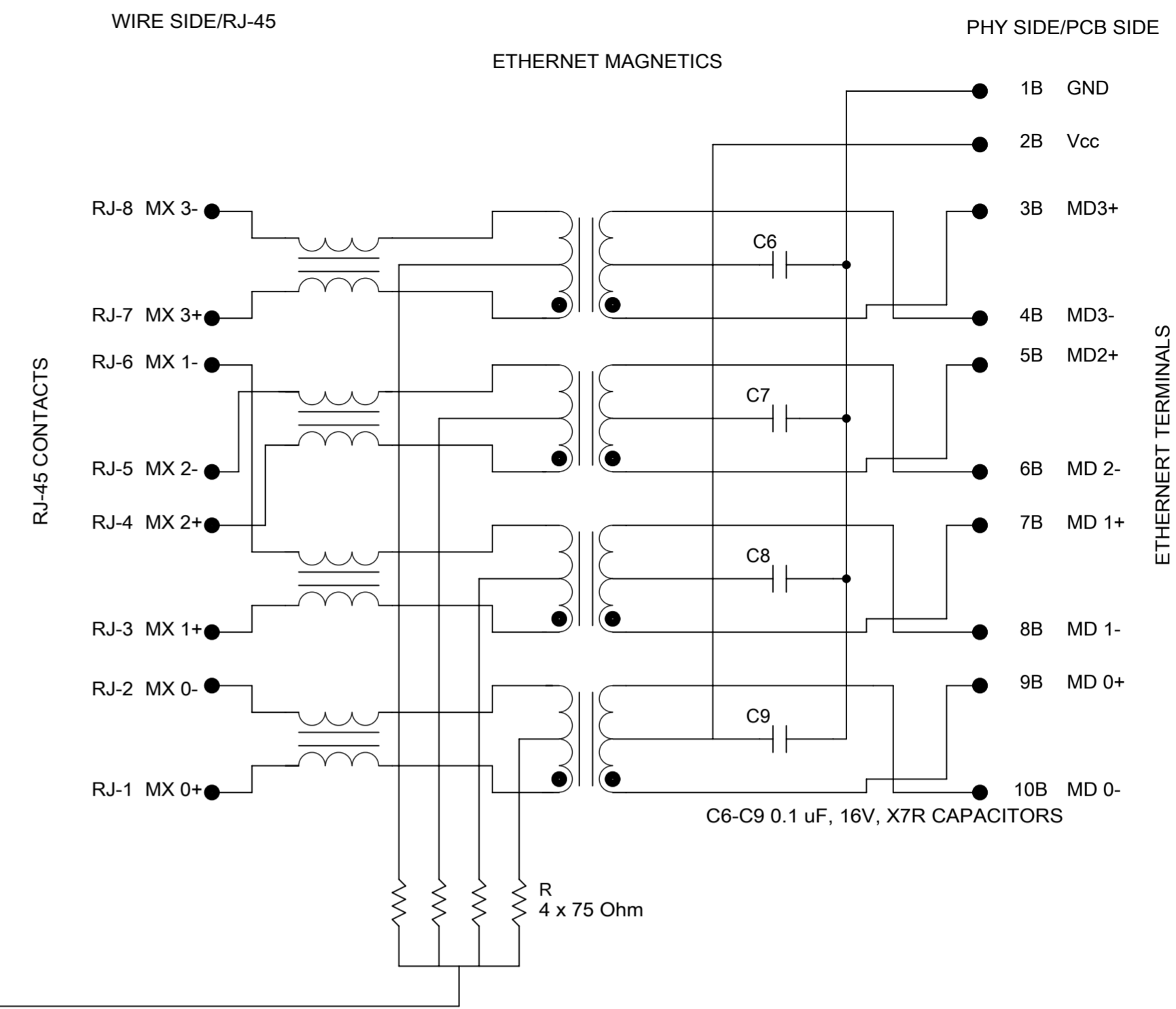
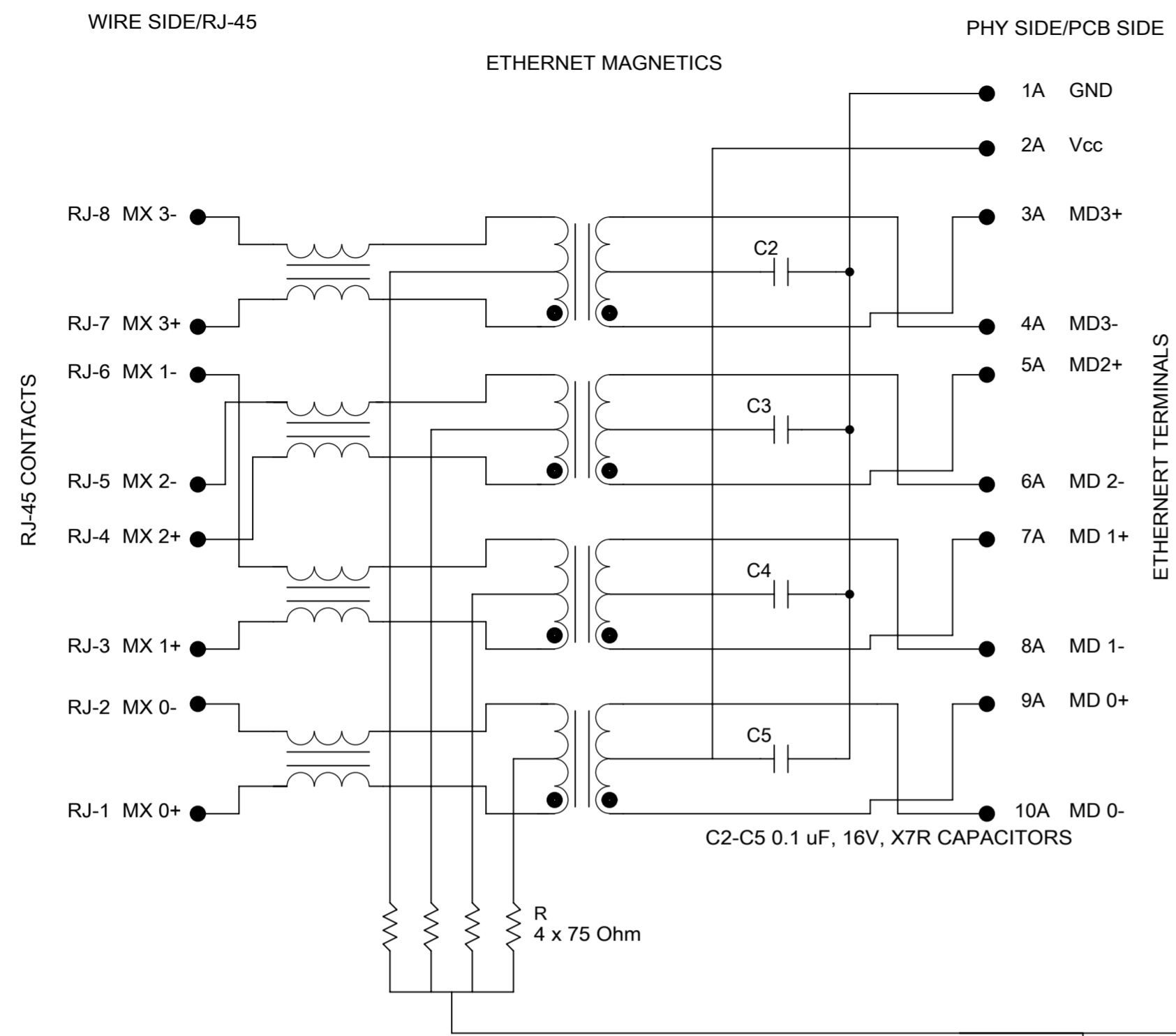
SUGGESTED PANEL CUTOUT

THIS DRAWING CONTAINS INFORMATION THAT IS PROPRIETARY TO MOLEX ELECTRONIC TECHNOLOGIES, LLC AND SHOULD NOT BE USED WITHOUT WRITTEN PERMISSION

ORIGINAL RELEASE EC NO: 123046 DRWN: DSHEA CHKD: SMCGREEVY REV: A	2017/10/17	DRWN BY	DATE	GENERAL TOLERANCES (UNLESS SPECIFIED)	DIMENSION UNITS	SCALE		
	2017/10/23	DSHEA	2017/05/31		mm	3:1		
	2017/11/07	CHK'D BY	DATE	ANGULAR TOL ± 2.0 °	MATERIAL NUMBER			MXMAG DUAL PORT 8C GIG COMMERCIAL W/ LEDS
		SMCGREEVY	2017/10/23	4 PLACES ±	CUSTOMER			
		APPR BY	DATE	3 PLACES ±	PRODUCT CUSTOMER DRAWING			
	DBYRNES	2017/11/07	2 PLACES ± 0.1	SERIES	MATERIAL NUMBER	CUSTOMER		
			1 PLACE ± 0.2	93826	SEE SHEET 1	GENERAL MARKET		
			0 PLACES ±	DOCUMENT NUMBER	DOC TYPE	DOC PART	SHEET NUMBER	
			DRAFT WHERE APPLICABLE MUST REMAIN WITHIN DIMENSIONS	938260003	PSD	000	2 OF 3	
			DRAWING SIZE	THIRD ANGLE PROJECTION				
			A2					

PORT A

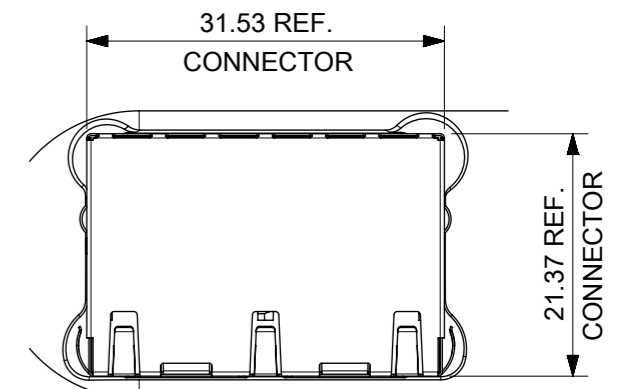
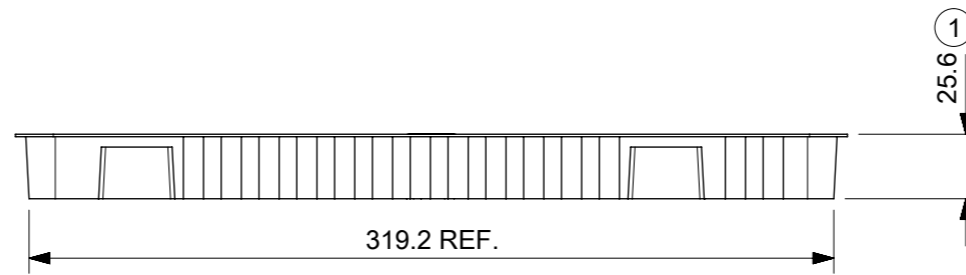
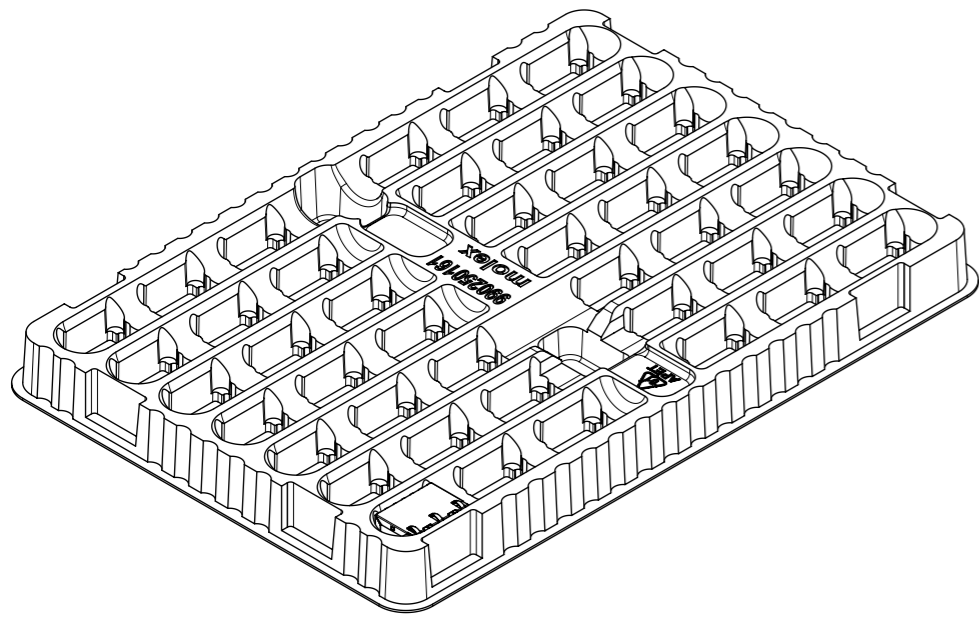
PORT B



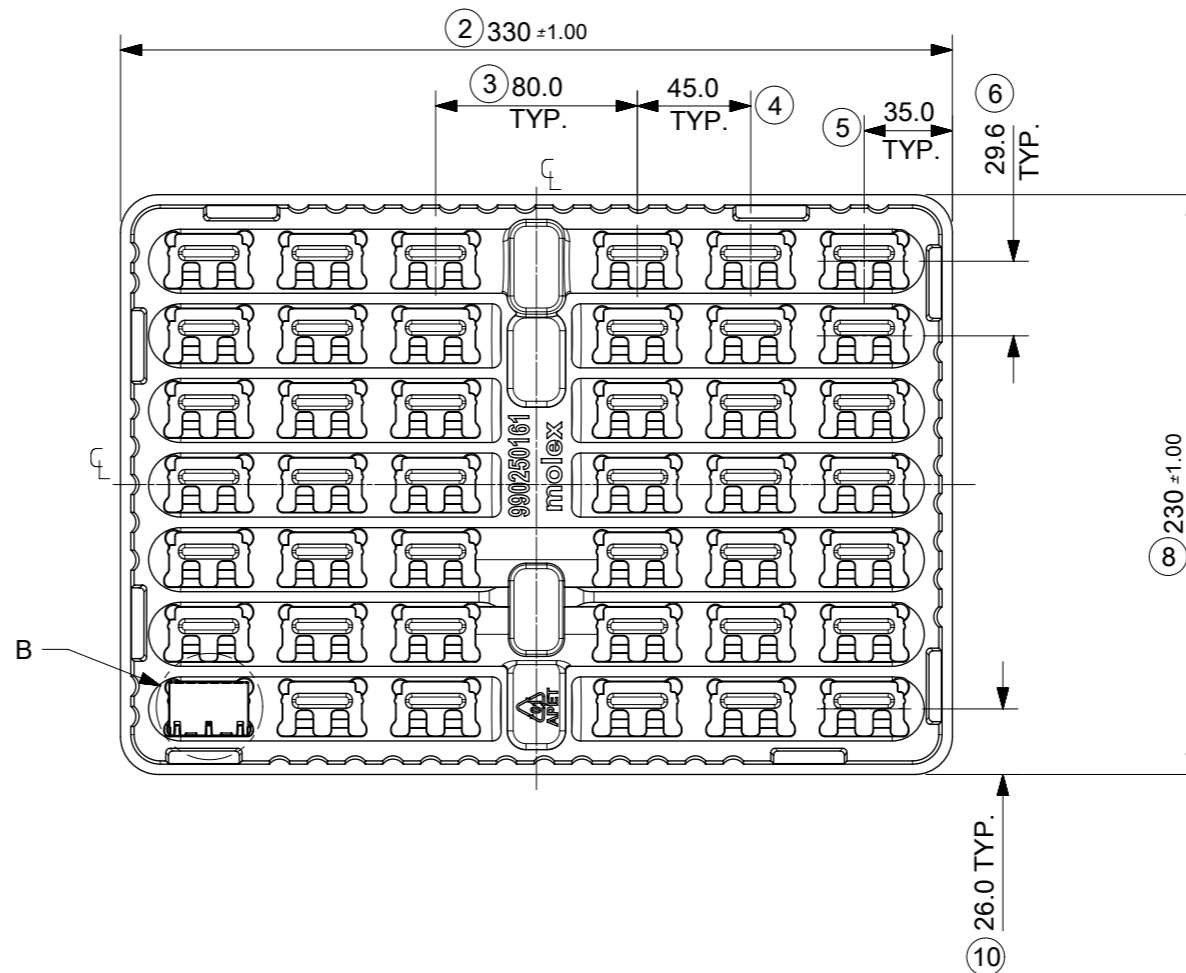
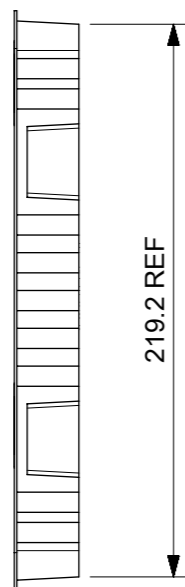
Description	Value	
OCL @100 kHz, 0.1 V, 8 mA DC bias (0°C to +70°C)	350 uH min.	
Turns ratio	1CT:1CT	
Transmission characteristics @ 25°C, all four pairs		
Insertion Loss		
Frequency f, (MHz)	Limits (dB max.)	Typical Values (dB max.)
1.0-9.9	0.4+0.1*log(f)	0.5 @ 10 MHz
10-49.9	0.5+0.3*log(f/10)	0.7 @ 50 MHz
50-79.9	1+1.4*log(f/80)	1.0 @ 80 MHz
80-100	1.3+3*log(f/100)	1.3 @ 100 MHz
Return Loss		
Frequency f, (MHz)	Limits (dB min.)	Typical Values (dB min.)
1.0-39.9	18	18 @ 40 MHz
40-100	12-20*log(f/80)	10 @ 100 MHz
CMR		
Frequency f, (MHz)	Limits (dB min.)	Typical Values (dB min.)
1.0-100	30	30 @ 100 MHz
NEXT		
Frequency f, (MHz)	Limits (dB min.)	Typical Values (dB min.)
1.0-39.9	35	35 @ 40 MHz
40-100	33-20*log(f/50)	27 @ 100 MHz
Isolation PHY to wire side	2.25 kV DC/60sec	

THIS DRAWING CONTAINS INFORMATION THAT IS PROPRIETARY TO MOLEX ELECTRONIC TECHNOLOGIES, LLC AND SHOULD NOT BE USED WITHOUT WRITTEN PERMISSION

ORIGINAL RELEASE EC NO: 123046 DRWN: DSHEA CHKD: SMCGREEVY REV: APPR: DBYRNES	2017/10/17	2017/10/23	2017/11/07	GENERAL TOLERANCES (UNLESS SPECIFIED)	DIMENSION UNITS	SCALE			
				4 PLACES ±	mm	1:1			
				3 PLACES ±	DRWN BY	DATE		MXMAG DUAL PORT 8C GIG COMMERCIAL W/ LEDS	
				2 PLACES ± 0.1	DSHEA	2017/05/31			
			1 PLACE ± 0.2	CHK'D BY	DATE	PRODUCT CUSTOMER DRAWING			
			0 PLACES ±	SMCGREEVY	2017/10/23				
			DRAFT WHERE APPLICABLE MUST REMAIN WITHIN DIMENSIONS	APPR BY	DATE	SERIES	MATERIAL NUMBER	CUSTOMER	
				DBYRNES	2017/11/07	93826	SEE SHEET 1	GENERAL MARKET	
				DRAWING SIZE	THIRD ANGLE PROJECTION	DOCUMENT NUMBER	DOC TYPE	DOC PART	SHEET NUMBER
				A2		938260003	PSD	000	3 OF 3



DETAIL B  
SCALE 3:2



NOTES:

1. MATERIAL: PETA ANTISTATIC
2. THICKNESS: 0.9 mm REF
3. COLOUR: CLEAR
4. BOW 2 mm MAXIMUM PER 330 mm
5. TWIST 2 mm MAXIMUM PER 330 mm
6. TRAY PART NO. AND RECYCLE LOGO TO BE CLEARLY MARKED ON TRAY  
RECYCLE LOGO SHOULD BE APPROPRIATE TO MATERIAL USED
7. WHERE RELEVANT, DIMENSIONS SHOULD BE SYMMETRICAL ABOUT THE CENTRELINE
8. GENERAL PROFILE TOLERANCE  $\frac{\text{R}}{0.40}$  ON NON DIMENSIONED FEATURES
9. PACKAGING SPECIFICATION: 938240001 PSK

DIMENSION NUMBERS DELETED: 7, 9, 11, 12  
LAST INSPECTION NUMBER USED: 10

THIS DRAWING CONTAINS INFORMATION THAT IS PROPRIETARY TO MOLEX ELECTRONIC TECHNOLOGIES, LLC AND SHOULD NOT BE USED WITHOUT WRITTEN PERMISSION

ORIGINAL RELEASE EC NO: 123046 DRWN: DSHEA CHK'D: SMCGREEVY APPR: DBYRNES	2017/10/17	2017/10/23	GENERAL TOLERANCES (UNLESS SPECIFIED) ANGULAR TOL ± 1.0 ° 4 PLACES ± 3 PLACES ± 2 PLACES ± 0.2 1 PLACE ± 0.5 0 PLACES ± DRAFT WHERE APPLICABLE MUST REMAIN WITHIN DIMENSIONS	DIMENSION UNITS	SCALE					
				mm	1:3					
				DRWN BY	DATE		SMCGREEVY	2017/06/15		
				CHK'D BY	DATE		SMCGREEVY	2017/10/23		
				APPR BY	DATE	PRODUCT CUSTOMER DRAWING				
				DBYRNES	2017/11/07	SERIES	MATERIAL NUMBER	CUSTOMER		
						99025	990250150	GENERAL MARKET		
				DRAWING SIZE	THIRD ANGLE PROJECTION	DOCUMENT NUMBER				
				A3		990250161		DOC TYPE	DOC PART	SHEET NUMBER
								PSD	000	1 OF 1

RELEASE STATUS	P1	RELEASE DATE	07.11.2017	10:13:22
----------------	----	--------------	------------	----------