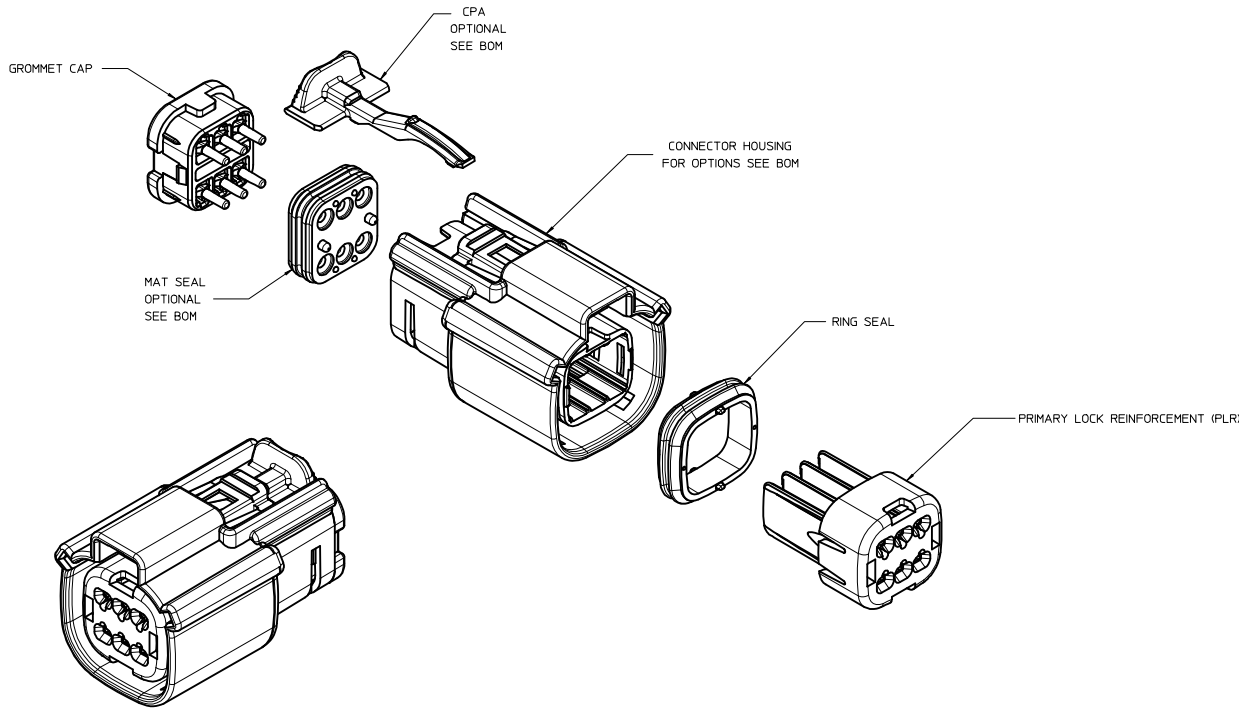


TABLE OF CONTENTS	
SHEET NO.	SHEET DESCRIPTION
1	NOTES
2	KEY CONFIGURATIONS
3	RECEPTACLE SEALED ASSEMBLY
4	BACKSHELL NOTES
5	BACKSHELL
6	BACKSHELL CONFIGURATIONS
7-8	BOM



NOTES: VALID UNLESS OTHERWISE SPECIFIED

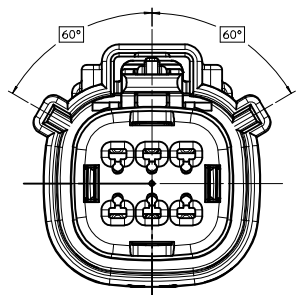
1. GENERAL:
 - a. APPLICATION SPECIFICATION SEE: AS-33472-100
 CONTAINS: PRODUCT INTRODUCTION, PRODUCT SUMMARY, CONNECTOR ASSEMBLY, PACKAGING INFORMATION, CONNECTOR MATING, SERVICE INSTRUCTIONS, ELECTRICAL CONTINUITY CHECKING CRITERIA, AND TROUBLESHOOTING
 -DESIGNED TO MATE WITH DEVICE CONNECTION AS SPECIFIED IN DRAWING EWCAP 150-S-006-2-202, AVAILABLE AT <http://ewcap.uscarteams.org/>
 -DESIGNED TO MATE WITH BLADE SEALED ASSEMBLY AS SPECIFIED IN DRAWING SD-33482-061
 -FOR 15mm RECEPTACLE TERMINALS TO BE USED WITH THIS ASSEMBLY SEE NOLEX DRAWING SD-33012-002
 - SYSTEM TO BE USED WITH WIRE WITHIN DIAMETER RANGE OF 1.2mm TO 2.69mm.
 -ASSEMBLY SHIPPED WITH PLR AND CPA IN PRE-LOCK POSITION (SEE SECTION Z-Z PRE-LOCK)
 -IN THE EVENT THAT THE PLR IS FOUND IN THE SEATED (FINAL LOCK) POSITION, REFER TO NOLEX SPECIFICATION PS-34646-001, AVAILABLE AT www.nolex.com <http://www.nolex.com>
 -ASSEMBLY CONFORMS TO SAE/USCAR-2 REV.4 WITH THE FOLLOWING EXCEPTIONS:
 ENGAGEMENT FORCE TO MOVE CPA FROM PRE-LOCK TO FINAL LOCK POSITION WHEN UNMATED: 40N MIN.
 DISENGAGEMENT FORCE TO MOVE CPA FROM FINAL LOCK TO PRE-LOCK POSITION: 3N MIN. 40N MAX.
 TERMINAL INSERTION FORCE FOR WIRE DIAMETER ABOVE 2.5mm NOT EXCEEDING 2.69mm SHALL NOT EXCEED 40 NEWTONS.
 PLR REMOVAL FROM FINAL LOCK TO PRE-LOCK POSITION SHALL NOT EXCEED 130 NEWTONS.
 - b. PRODUCT SPECIFICATION SEE: PS-33472-000
 CONTAINS: PRODUCT INTRODUCTION, PRODUCT SUMMARY, RATINGS (CURRENT, TEMPERATURE, SEALING, AND FLAMMABILITY), AND PRODUCT VALIDATION.
 - c. PACKAGING SPECIFICATION PER NOLEX DRAWING PK-31300-993
 - d. PARTS MUST BE IN COMPLIANCE TO NOLEX CHEMICAL SUBSTANCES FOR PRODUCTS AND PACKAGING SPECIFICATION ES-40000-5016
 - e. DATA MUST BE SUBMITTED UNDER THE NOLEX PART NUMBER TO IMDS (COMPANY ID:1525)
 - f. FOR INFORMATION ON 2X3 RECEPTACLE SEALED ASSEMBLY WITH CLIPSLOT SEE SD-33472-071
2. DESIGN - MATERIALS:
 - a. SEE BOM TABLE
3. DESIGN - GEOMETRY:
 - a. THIS IS A 100% CAD GENERATED PART. THE CAD MATHEMATICAL DATA IS THE MASTER FOR THIS PART. FOR DIMENSIONAL OR ANY INFORMATION NOT SHOWN ON THIS DRAWING, ANALYZE THE CAD MODEL.
 - b. GEOMETRIC DIMENSIONS AND TOLERANCES PER ASME Y14.5M - 1994
 - c. EDGES AND UNDIMENSIONED DETAILS PER ISO137B
 - d. CORNERS SHOWN AS SHARP TO BE R 0.2 MAX.
 - e. LETTERING SHALL BE 0.15 MAX RAISED IN 0.25 MAX RECESS PAD. THIS INCLUDES RECYCLING CODE, CAVITY ID, VENDOR IDENTIFICATION, AND CUSTOMER MATERIAL NUMBER.
 - f. VISUAL DEFECTS SHALL MEET COSMETIC STANDARD PS-45499-002 (Class B)
 - g. LASER MARKING: TBD

INSPECTION NUMBER LOG
 LAST NUMBER USED:
 ADDED:
 REMOVED:

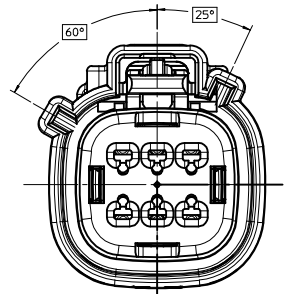
REV	DESCRIPTION
X13	ADD NEW P/N 33472-0684 33472-0685 33472-0686
X12	ADD NEW P/N 33472-0683
X11	ADD NEW P/N 33472-0682
X10	CHANGE THE STATUS TO SELEABLE FROM TOOLED BUT NOT VALIDATED FOR DK GREY AND ST GREY
X9	UPDATED BACKSHELL INFORMATION
X8	ADD NEW P/N 33472-0681
X7	UPDATED BACKSHELL
X6	RENAMED BACKSHELLS
X5	ADD NEW P/N 33472-0678 33472-0679 33472-0680
X4	UPDATED VIEWS
X3	UPDATED NOMENCLATURE SHEET 3
X2	ADD NEW P/N 33472-0677
X1	UPDATED NOTES
X	REDRAWN, ADDED BACKSHELL

ENTER DESCRIPTION REC NO: UAU2014-1711 DRAWN BY: 2014/05/06 CHKD: 2014/05/07 APPR: VKOSHY DESCRIPTION:	QUALITY SYMBOLS ∇=0 ∇=0 ∇=0	GENERAL TOLERANCES (UNLESS SPECIFIED) mm INCH 4 PLACES ± --- ± --- 3 PLACES ± 0.10 ± --- 2 PLACES ± 0.3 ± --- 1 PLACE ± ± --- 0 PLACE ± ± ---	DIMENSION STYLE MM ONLY DRAWN BY DATE DGR1FF1THS 06-05-03 CHECKED BY DATE DGR1FF1THS 06-05-03 APPROVED BY DATE VKOSHY 2010/03/04	SCALE 3:1 DESIGN UNITS METRIC THIRD ANGLE PROJECTION	TITLE MX150 2X3 RECEPTACLE SEALED ASSEMBLY MAT SEAL molex	MATERIAL NO. SEE BOM	DOCUMENT NO. SD-33472-061	SHEET NO. 1 OF 9
	DRAFT WHERE APPLICABLE MUST REMAIN WITHIN DIMENSIONS							
	SIZE D THIS DRAWING CONTAINS INFORMATION THAT IS PROPRIETARY TO MOLEX INCORPORATED AND SHOULD NOT BE USED WITHOUT WRITTEN PERMISSION							
	X13							

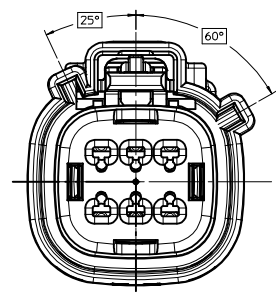
KEY CONFIGURATIONS



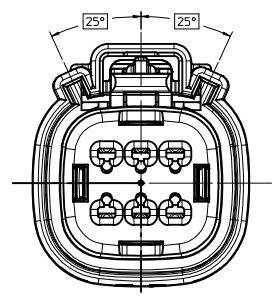
KEY A



KEY B



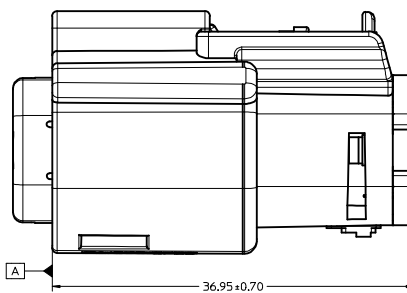
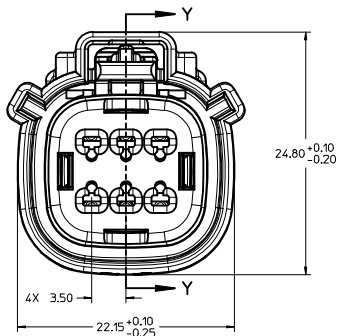
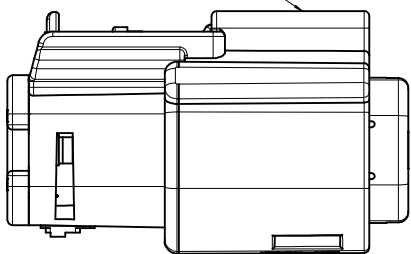
KEY C



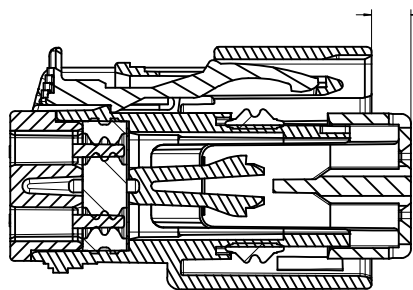
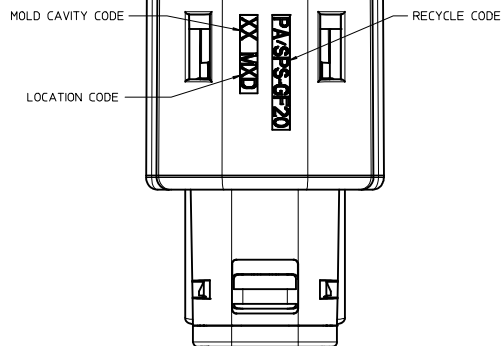
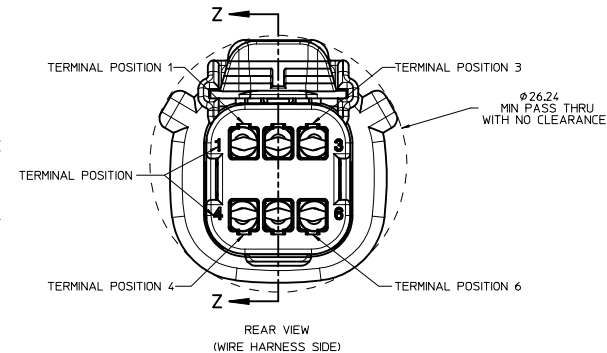
KEY D

ENTER DESCRIPTION EC NO: UAU2014-1711 DRAWN BY: 2014/05/06 CHKD: VKOSHY APPR: VKOSHY 2014/05/07 REV: DESCRIPTION	QUALITY SYMBOLS ▽=0 ▽=0 ▽=0		GENERAL TOLERANCES (UNLESS SPECIFIED) mm INCH 4 PLACES ± --- ± --- 3 PLACES ± 0.10 ± --- 2 PLACES ± 0.3 ± --- 1 PLACE ± ± --- 0 PLACE ± ±		DIMENSION STYLE MM ONLY		SCALE 4:1	DESIGN UNITS METRIC	THIRD ANGLE PROJECTION
	ANGLAR ± 3 ° DRAFT WHERE APPLICABLE MUST REMAIN WITHIN DIMENSIONS		DRAWN BY: DGRIFITHS DATE: 06-05-03 CHECKED BY: DGRIFITHS DATE: 06-05-03 APPROVED BY: VKOSHY DATE: 2010/03/04		MATERIAL NO. SEE BOM		TITLE MX150 2X3 RECEPTACLE SEALED ASSEMBLY MAT SEAL molex		DOCUMENT NO. SD-33472-061
					SIZE D		SHEET NO. 2 OF 9		THIS DRAWING CONTAINS INFORMATION THAT IS PROPRIETARY TO MOLEX INCORPORATED AND SHOULD NOT BE USED WITHOUT WRITTEN PERMISSION

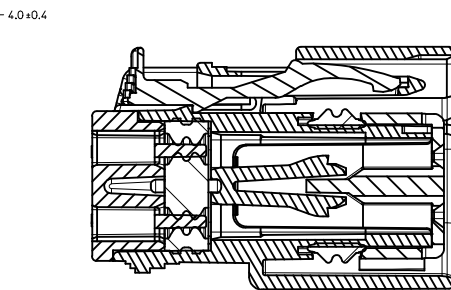
LASER MARKING ON THIS SURFACE
SEE NOTE 3g.



RECEPTACLE SEALED ASSEMBLY



PRIMARY LOCK REINFORCEMENT (PLR) SHOWN
IN PRE-STAGED POSITION
SECTION Z-Z



PRIMARY LOCK REINFORCEMENT (PLR) SHOWN
IN FINAL-LOCK POSITION
SECTION Y-Y

ENTER DESCRIPTION REC NO: JAU2014-1711 DRAWN BY CHKD: APPR: VKOSHY 2014/05/06 2014/05/07 X13	QUALITY SYMBOLS	GENERAL TOLERANCES (UNLESS SPECIFIED)	DIMENSION STYLE	SCALE	DESIGN UNITS	THIRD ANGLE PROJECTION	
	∇=0 ∇=0 ∇=0	mm INCH 4 PLACES ± --- ± --- 3 PLACES ± --- ± --- 2 PLACES ± 0.10 ± --- 1 PLACE ± 0.3 ± --- 0 PLACE ± ±	MM ONLY	4:1	METRIC	DRAWN BY DATE DGRIFITHS 06-05-03 CHECKED BY DATE DGRIFITHS 06-05-03 APPROVED BY DATE VKOSHY 2010/03/04	
	ANGULAR ± 3 ° DRAFT WHERE APPLICABLE MUST REMAIN WITHIN DIMENSIONS	MATERIAL NO.	DOCUMENT NO.	SHEET NO.			
	SEE BOM	SD-33472-061	3 OF 9				

TITLE
MX150 2X3 RECEPTACLE SEALED ASSEMBLY MAT SEAL

molex

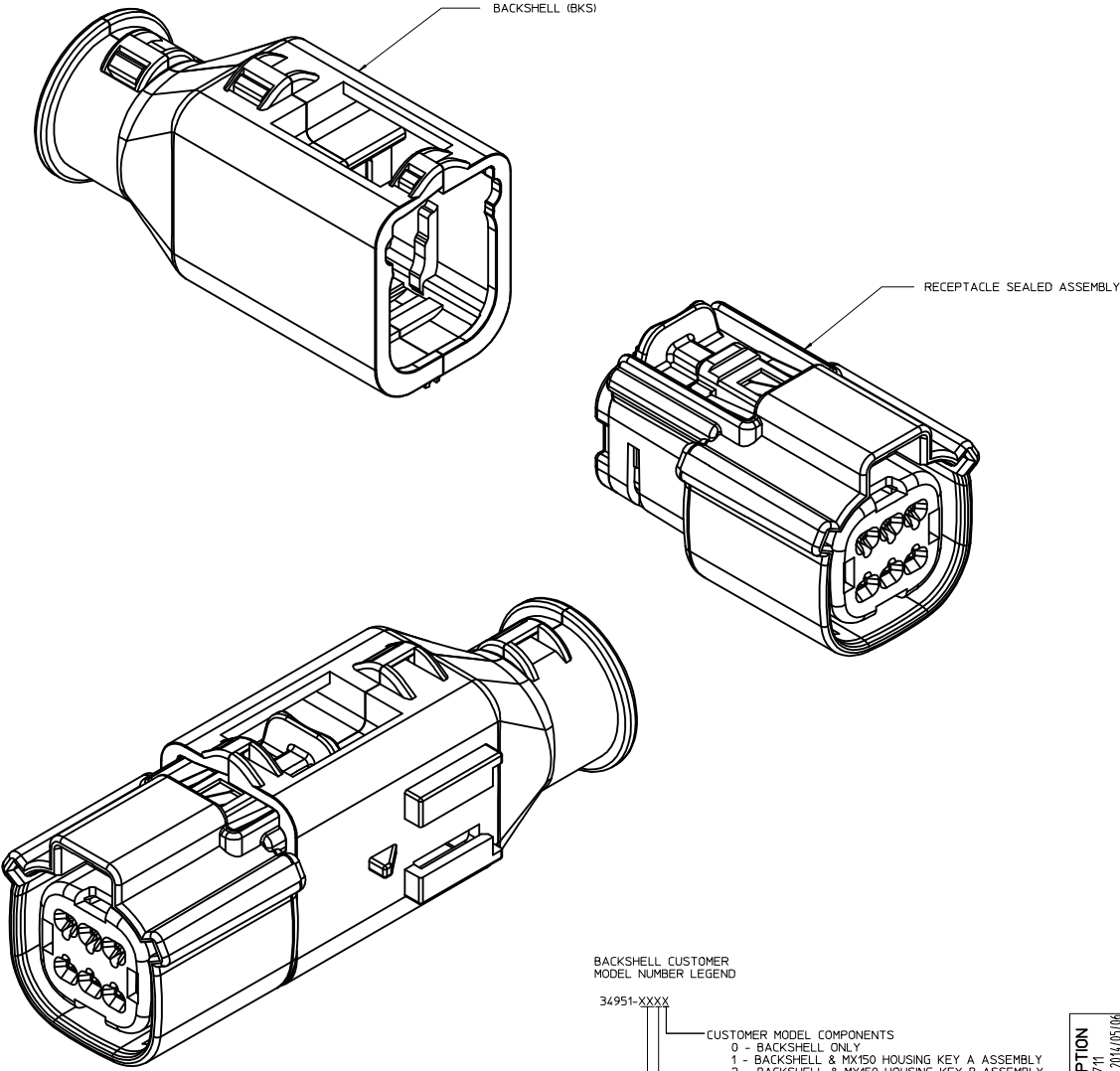
THIS DRAWING CONTAINS INFORMATION THAT IS PROPRIETARY TO MOLEX INCORPORATED AND SHOULD NOT BE USED WITHOUT WRITTEN PERMISSION

BACKSHELL NOTES

BACKSHELL NOTES: VALID UNLESS OTHERWISE SPECIFIED

1. GENERAL:

- a. APPLICATION SPECIFICATION SEE: AS-34951-001
 - DESIGNED TO MATE WITH RECEPTACLE SEALED ASSEMBLY AS SPECIFIED IN DRAWING SD-33472-061
 - SYSTEM TO BE USED WITH WIRE WITHIN DIAMETER RANGE OF 1.2 mm TO 2.69 mm.
 - COMPONENTS ARE OPTIONAL AND MUST BE PURCHASED SEPARATELY
 - BACKSHELL DESIGN IS OWNED BY SCHLEMMER
 - FOR ADDITIONAL INFORMATION SEE THE BACKSHELL COMPONENT DRAWING SD-34951-0001



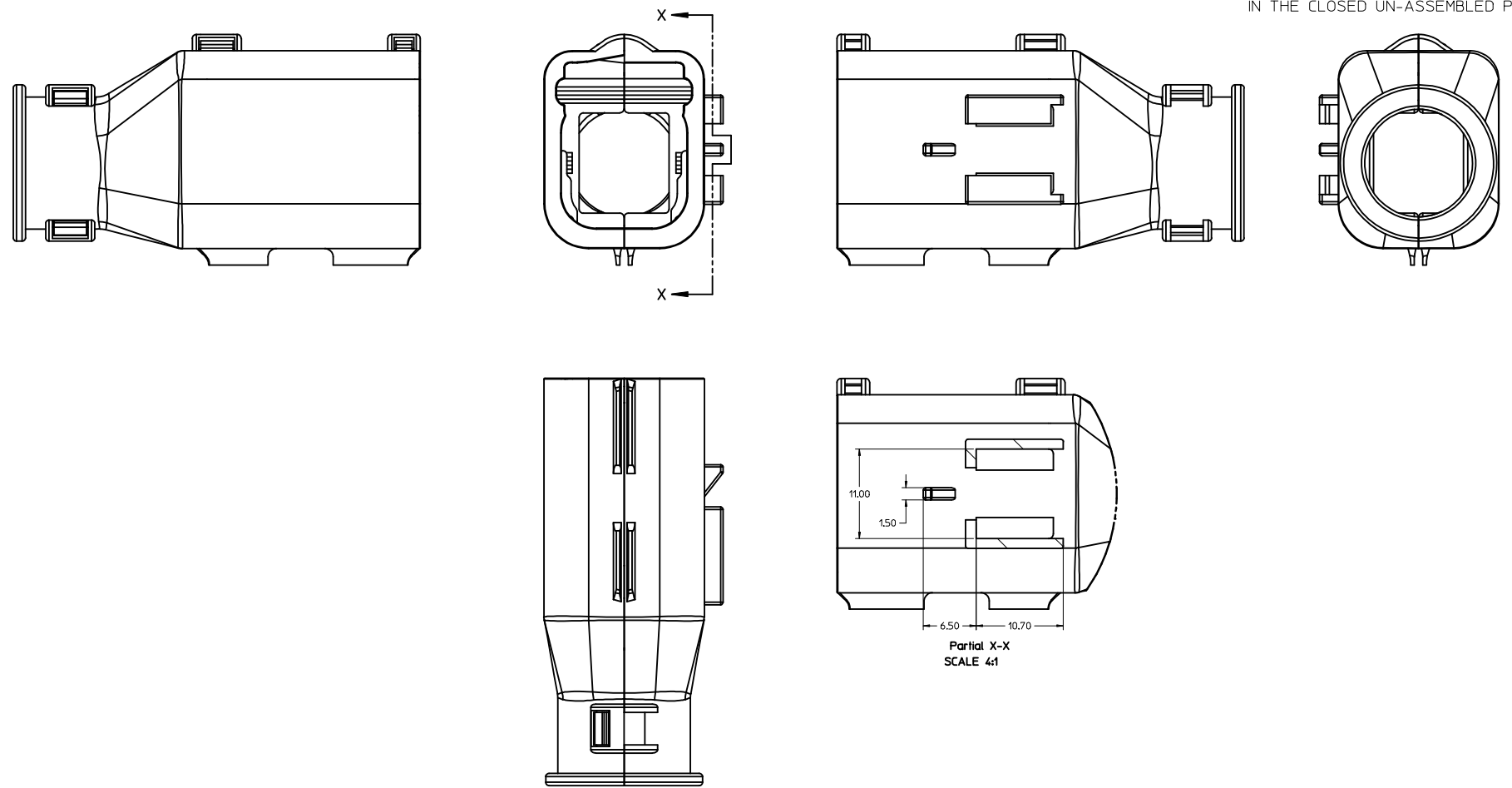
BACKSHELL CUSTOMER MODEL NUMBER LEGEND

- 34951-XXXX
- CUSTOMER MODEL COMPONENTS
 - 0 - BACKSHELL ONLY
 - 1 - BACKSHELL & MX150 HOUSING KEY A ASSEMBLY
 - 2 - BACKSHELL & MX150 HOUSING KEY B ASSEMBLY
 - 3 - BACKSHELL & MX150 HOUSING KEY C ASSEMBLY
 - 4 - BACKSHELL & MX150 HOUSING KEY D ASSEMBLY
 - BACKSHELL FEATURES
 - 1 - WITH RIBS
 - 2 - WITHOUT RIBS
 - MX150 CIRCUIT SIZE 04, 06, 08, 12, 16, 20

ENTER DESCRIPTION REC NO: UAU2014-1711 DRAWN BY: 2014/05/06 CHKD: APPR: VKOSHY 2014/05/07 REV:	QUALITY SYMBOLS	GENERAL TOLERANCES (UNLESS SPECIFIED)	DIMENSION STYLE	SCALE	DESIGN UNITS	THIRD ANGLE PROJECTION
	∇=0 ∇=0 ∇=0	mm INCH 4 PLACES ± --- ± --- 3 PLACES ± --- ± --- 2 PLACES ± 0.10 ± --- 1 PLACE ± 0.3 ± --- 0 PLACE ± ±	MM ONLY DRAWN BY: DGRIFITHS DATE: 06-05-03 CHECKED BY: DGRIFITHS DATE: 06-05-03 APPROVED BY: VKOSHY DATE: 2010/03/04	4:1 METRIC	MX150 2X3 RECEPTACLE SEALED ASSEMBLY MAT SEAL molex	MATERIAL NO: SEE BOM DOCUMENT NO: SD-33472-061
DRAFT WHERE APPLICABLE MUST REMAIN WITHIN DIMENSIONS		THIS DRAWING CONTAINS INFORMATION THAT IS PROPRIETARY TO MOLEX INCORPORATED AND SHOULD NOT BE USED WITHOUT WRITTEN PERMISSION				

20 19 18 17 16 15 14 13 12 11 10 9 8 7 6 5 4 3 2 1

BACKSHELL
THE VIEWS ON THIS SHEET ARE
IN THE CLOSED UN-ASSEMBLED POSITION



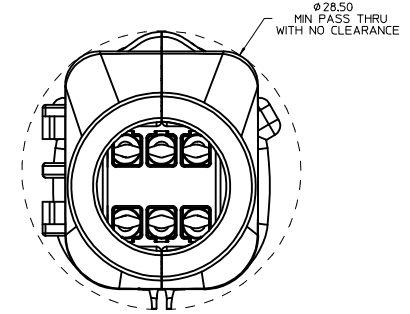
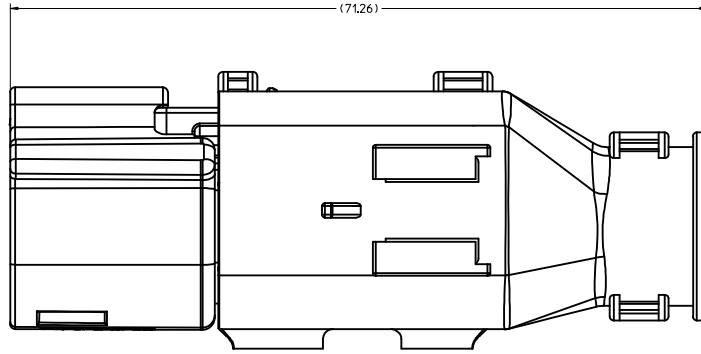
Partial X-X
SCALE 4:1

ENTER DESCRIPTION REC NO: UAU2014-1711 DRAWN BY: CHYDZ CHKD: APPR: VKOSHY DATE: 2014/05/06 DATE: 2014/05/07 DESCRIPTION:	QUALITY SYMBOLS	GENERAL TOLERANCES (UNLESS SPECIFIED)	DIMENSION STYLE	SCALE	DESIGN UNITS	THIRD ANGLE PROJECTION
	∇=0 ∇=0 ∇=0	4 PLACES ± mm ± INCH 3 PLACES ± --- ± --- 2 PLACES ± 0.10 ± --- 1 PLACE ± 0.3 ± --- 0 PLACE ± ±	MM ONLY	4:1	METRIC	DRAWN BY: DGRIFITHS DATE: 06-05-03 CHECKED BY: DATE: APPROVED BY: VKOSHY DATE: 2010/03/04
	ANGULAR ± 3 ° DRAFT WHERE APPLICABLE MUST REMAIN WITHIN DIMENSIONS	MATERIAL NO: SEE BOM SIZE: D	TITLE: MX150 2X3 RECEPTACLE SEALED ASSEMBLY MAT SEAL molex DOCUMENT NO: SD-33472-061 SHEET NO: 5 OF 9			

19 18 17 16 15 14 13 12 11 10 9 8 7 6 5 4 3 2 1

20 19 18 17 16 15 14 13 12 11 10 9 8 7 6 5 4 3 2 1

BACKSHELL CONFIGURATIONS



RECEPTACLE SEALED ASSEMBLY WITH RECEPTACLE BACKSHELL

ENTER DESCRIPTION REC NO: UAU2014-1711 DRAWN BY: CHYD CHKD: APPR: VKOSHY DATE: 2014/05/06 DATE: 2014/05/07	QUALITY SYMBOLS ▽=0 ▽=0 ▽=0	GENERAL TOLERANCES (UNLESS SPECIFIED) mm INCH 4 PLACES ± --- ± --- 3 PLACES ± --- ± --- 2 PLACES ± 0.10 ± --- 1 PLACE ± 0.3 ± --- 0 PLACE ± ±	DIMENSION STYLE MM ONLY	SCALE 4:1	DESIGN UNITS METRIC	THIRD ANGLE PROJECTION	
	DRAFT WHERE APPLICABLE MUST REMAIN WITHIN DIMENSIONS	ANGULAR ± 3 °	DRAWN BY: DGRIFITHS DATE: 06-05-03 CHECKED BY: DGRIFITHS DATE: 06-05-03 APPROVED BY: VKOSHY DATE: 2010/03/04	MATERIAL NO. SEE BOM	TITLE MX150 2X3 RECEPTACLE SEALED ASSEMBLY MAT SEAL	DOCUMENT NO. SD-33472-061	SHEET NO. 6 OF 9
	THIS DRAWING CONTAINS INFORMATION THAT IS PROPRIETARY TO MOLEX INCORPORATED AND SHOULD NOT BE USED WITHOUT WRITTEN PERMISSION						
	molex						

19 18 17 16 15 14 13 12 11 10 9 8 7 6 5 4 3 2 1

(X13)	KEY B, W/CPA, LIGHT GRAY	33472-0686	B					CPA	M	2	3				SALEABLE		34951-0610	34951-0620			
(X13)	KEY B, W/CPA, LIGHT GRAY	33472-0685	B					CPA	M	1	2	3	4	5	6	SALEABLE	34951-0610	34951-0620			
(X13)	KEY A, W/CPA, BLACK	33472-0684	A					CPA	M	2	3					SALEABLE	34951-0610	34951-0620			
	KEY A, BLACK	33472-0683	A						M		3	4	5	6	SALEABLE	34951-0610	34951-0620				
	KEY A, W/CPA, YELLOW	33472-0682	A					A	CPA	M					SALEABLE	34951-0610	34951-0620				
	ASSEMBLY DESCRIPTION	ASSEMBLY PART NUMBER	A	B	C	D	C	D	A	CPA	M	1	2	3	4	5	6	STATUS	COMMENTS	BACKSHELL WITH RIBS	BACKSHELL WITHOUT RIBS

BLOCKED TERMINAL
 CAVITY WITH A NUMBER INDICATES BLOCKED TERMINAL POSITION
 CAVITY WITHOUT A NUMBER INDICATES OPEN TERMINAL POSITION
 OPTIONAL ATTACHMENTS SOLD SEPARATELY

DESCRIPTION	COLOR	MATERIAL
RING SEAL	BURNT ORANGE	INHERENTLY LUBRICATED SILICONE
PLR	NATURAL	SPS/NYLON GF20
GROMMET CAP	BLACK	SPS/NYLON GF20
MAT SEAL	LIGHT BLUE	INHERENTLY LUBRICATED SILICONE
CPA	RED	PBT GF30
HOUSING KEYING OPTION A	YELLOW	SPS/NYLON GF20
HOUSING KEYING OPTION D	STONE GRAY	SPS/NYLON GF20
HOUSING KEYING OPTION C	DARK GRAY	SPS/NYLON GF20
HOUSING KEYING OPTION D	GREEN	SPS/NYLON GF20
HOUSING KEYING OPTION C	BROWN	SPS/NYLON GF20
HOUSING KEYING OPTION B	LIGHT GRAY	SPS/NYLON GF20
HOUSING KEYING OPTION A	BLACK	SPS/NYLON GF20

BOM/APPLICABLE COMPONENTS TABLE

ENTER DESCRIPTION REC NO: UAU2014-1711 DRAWN BY: CHYK CHKD: APPR: VKOSHY DATE: 2014/05/06 DATE: 2014/05/07 SIZE: X13	QUALITY SYMBOLS ∇=0 ∇=0 ∇=0	GENERAL TOLERANCES (UNLESS SPECIFIED) mm INCH 4 PLACES ± .10 ± .004 3 PLACES ± .15 ± .005 2 PLACES ± 0.10 ± .005 1 PLACE ± 0.3 ± .010 0 PLACE ± ±	DIMENSION STYLE MM ONLY	SCALE 4:1	DESIGN UNITS METRIC	THIRD ANGLE PROJECTION
	DRAWN BY: DGRIFITHS DATE: 06-05-03 CHECKED BY: DGRIFITHS DATE: 06-05-03 APPROVED BY: VKOSHY DATE: 2010/03/04	MATERIAL NO. 999999999	TITLE MX150 2X3 RECEPTACLE SEALED ASSEMBLY MAT SEAL	DOCUMENT NO. SD-33472-061	SHEET NO. 9 OF 9	
	THIS DRAWING CONTAINS INFORMATION THAT IS PROPRIETARY TO MOLEX INCORPORATED AND SHOULD NOT BE USED WITHOUT WRITTEN PERMISSION					
	DRAFT WHERE APPLICABLE MUST REMAIN WITHIN DIMENSIONS					