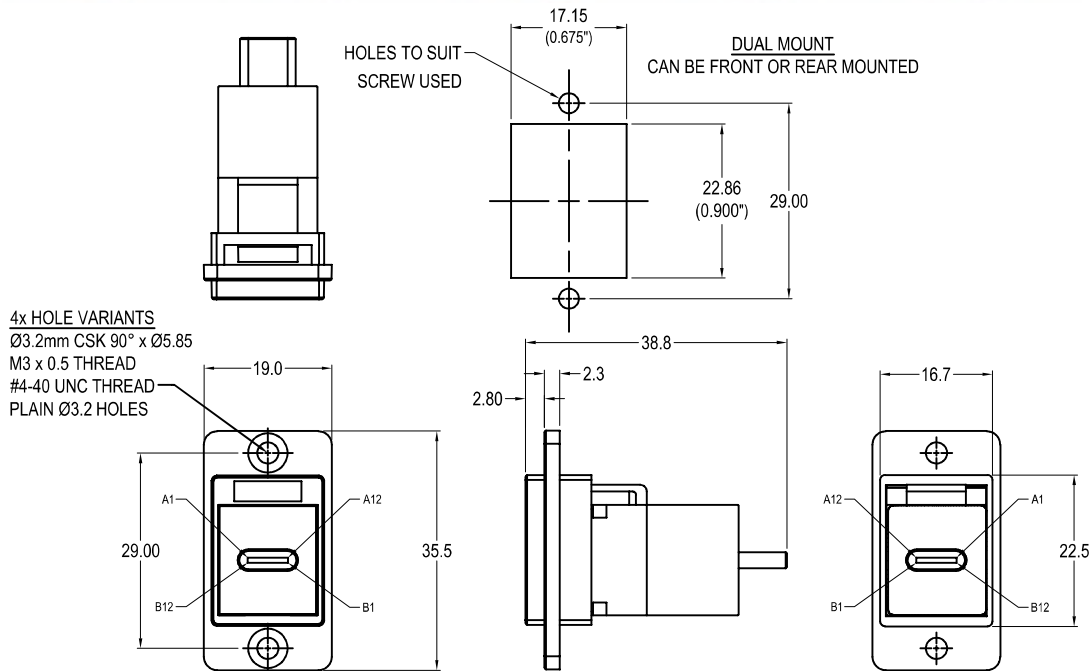


CLIFF

DUALSLIM USB-C Female-Male METAL FRAME FEEDTHROUGH CONNECTOR

Can be front or rear mounted in the panel



VARIANTS

Part No.

CP30711M	DUALSLIM USB-C F-M Nickel frame, CSK holes
CP30711MB	DUALSLIM USB-C F-M Black metal frame, CSK holes
CP30711M3	DUALSLIM USB-C F-M Nickel frame, M3 holes
CP30711MB3	DUALSLIM USB-C F-M Black metal frame, M3 holes
CP30711M440	DUALSLIM USB-C F-M Nickel frame, #4-40 holes
CP30711MB440	DUALSLIM USB-C F-M Black metal frame, #4-40 holes
CP30711MX1	DUALSLIM USB-C F-M Nickel frame, Ø3.2 PLAIN holes
CP30711MBX1	DUALSLIM USB-C F-M Black metal frame, Ø3.2 PLAIN holes

Feedthrough Features

- Fits standard rectangular cutout.
- Front or rear mounting through the panel.
- Various hole mounting options.
- No soldering or punch termination. Use standard cable for each connector style.
- Low rear profile.

General:

Please note: Functionality is affected by cable quality, length and cable wiring configuration.

Material:

1. Insert: ABS - UL94 HB
2. Frame: Diecast, Nickel or Black plated

USB-C Specification:

Maximum Rated Current - 3A
 Maximum Working Voltage - 30V
 Withstanding Voltage - 100V for 1 minute.
 Contact Resistance - 40 Milli-ohms Max.
 Insulation Resistance - 100 Mega-ohms Min.
 Insulator Flammability Rating - UL-94V0
 Insertion Life - 10,000 Cycles.