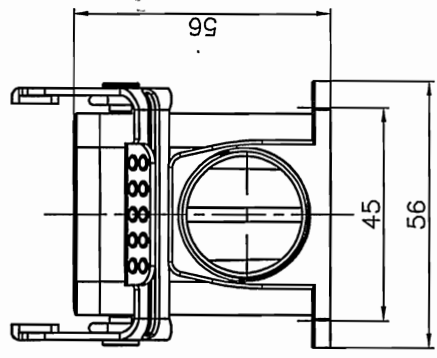
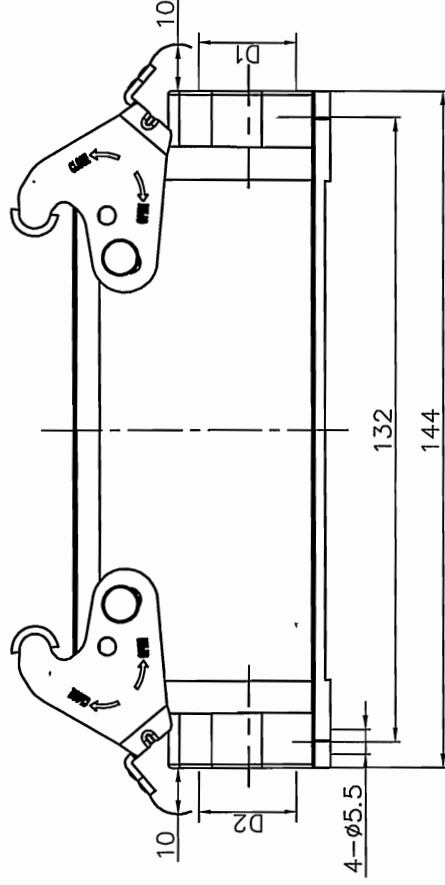
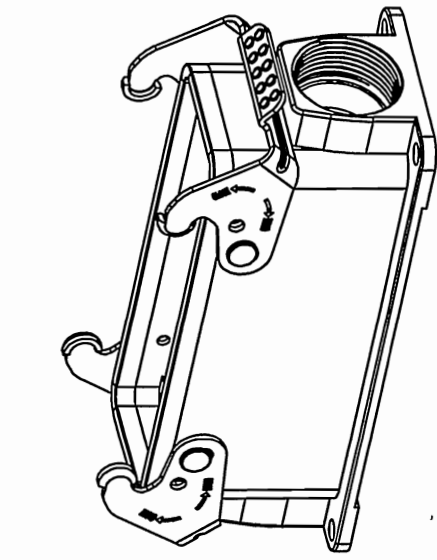


TYPE	Thread		Selection
	D1	D2	
D24B-SF-2L-M25	M25	—	
D24B-SF-2L-2M25	M25	M25	
D24B-SF-2L-PG21	PG21	—	
D24B-SF-2L-2PG21	PG21	PG21	

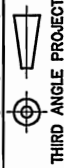
REVISION RECORD				
REV	ECN	DESCRIPTION	DRFT	DATE



Housings Feature

- 01. Material: aluminum die-cast
- 02. Surface: Powder-coated
- 03. Color: grey (RAL 7037)
- 04. Material: Metal (Lever)
- 05. Sealing: NBR
- 06. Limiting temperatures: -40°C ~ +125°C
- 07. Flammability acc to UL94: V0
- 08. Degree of protection acc to EN60529 for coupled connector: IP65
- 09. Rohs compliance

PART NO.:	NINGBO DEGSON ELECTRICAL CO., LTD
APPD:	HYS 2017-2-5
CHKD:	CHK 2017-2-1
DRFT:	Mr. yang 2017/06/28
NAME:	D24B-SF-2L-M/PG
TITLE:	CUSTOMER DRAWING
DRAWING NO.:	REV D0-1
MM (INCH)	SHEET 1/1
DO NOT SCALE DRAWING	SCALE 1:1.5



THIRD ANGLE PROJECTION

DETACHED LISTS