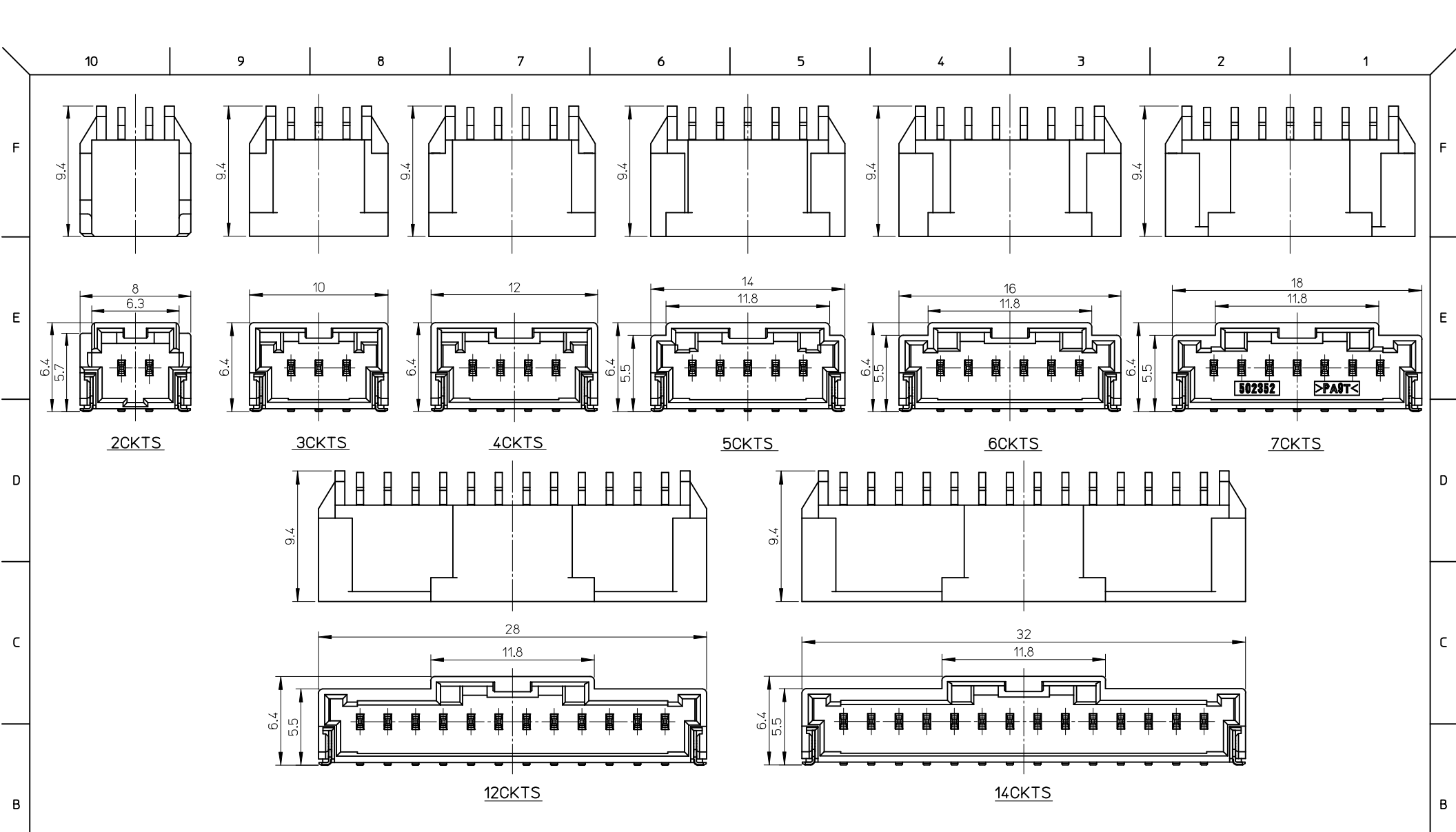


注記
NOTES

- 材質
ハウジング: 耐熱性ナイロン
ピン: 銅合金、ニッケル下地、錫メッキ、金メッキ
フィッティングネール: 銅合金、ニッケル下地、錫メッキ
MATERIAL
HOUSING: POLYAMIDE
PIN: COPPER ALLOY, GOLD OR TIN OVER NICKEL PLATE.
FITTING NAIL: COPPER ALLOY, TIN OVER NICKEL PLATE.
- 色: ナチュラル
COLOR: NATURAL
- 嵌合相手
ハウジング: 502351-**-00
錫メッキ端子: 50212-8*00, 50372-8*00
金メッキ端子: 56161-8*81
MATES WITH
HOUSING: 502351-**-00
SN PLATING TERMINAL: 50212-8*00, 50372-8*00
AU PLATING TERMINAL: 56161-8*81
- エンボス梱包品の詳細はSD-502352-002参照
DETAILED TAPING PACKAGE, SEE SD-502352-002.
- ELV及びRoHS適合
ELV AND RoHS COMPLIANT

REVISED EC NO: JTR2014-0025 DRMNY/TAMAKI 2013/09/11 CHKD:HKOMATSU 2013/09/11 APPR: MAYAMOTO 2013/09/13	DESCRIPTION	GENERAL TOLERANCES (UNLESS SPECIFIED)		DIMENSION STYLE MM ONLY		SCALE 5:1	DESIGN UNITS METRIC	THIRD ANGLE PROJECTION	
		10 UNDER	± 0.2	DRAWN BY SHSHIBATA	DATE 2007/12/18	TITLE 2.0MM PITCH W/B CONN. WAFER ASSY R/A SMT			
		10 OVER 30 UNDER	± 0.25	CHECKED BY HKOMATSU	DATE 2007/12/18				
		30 OVER	± 0.3	APPROVED BY AKANESHIGE	DATE 2007/12/18				
REV		ANGULAR ±3 °	DRAFT WHERE APPLICABLE MUST REMAIN WITHIN DIMENSIONS	MATERIAL NO. SEE CHART		DOCUMENT NO. SD-502352-001	SHEET NO. 1 OF 3		
		SIZE A3	THIS DRAWING CONTAINS INFORMATION THAT IS PROPRIETARY TO MOLEX INCORPORATED AND SHOULD NOT BE USED WITHOUT WRITTEN PERMISSION						



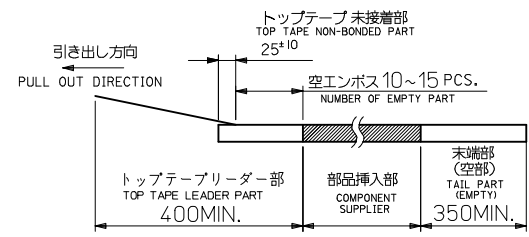
REVISED EC NO: JTR2014-0025 DRWN: Y. TAMAKI 2013/09/11 CHKD: H. KOMATSU 2013/09/11 APPR: M. YAMAMOTO 2013/09/13	GENERAL TOLERANCES (UNLESS SPECIFIED)		DIMENSION STYLE MM ONLY		SCALE 4:1	DESIGN UNITS METRIC	THIRD ANGLE PROJECTION
	10 UNDER	± 0.2	DRAWN BY	DATE	TITLE		
	10 OVER 30 UNDER	± 0.25	SHSHIBATA	2007/12/18	2.0MM PITCH W/B CONN. WAFER ASSY R/A SMT		
	30 OVER	± 0.3	CHKD BY	DATE			
ANGULAR	± 3 °	APPROVED BY	DATE	molex DOCUMENT NO. SD-502352-001			
DRAFT WHERE APPLICABLE MUST REMAIN WITHIN DIMENSIONS		AKANESHIGE	2007/12/18				SHEET NO. 2 OF 3
		SEE CHART		THIS DRAWING CONTAINS INFORMATION THAT IS PROPRIETARY TO MOLEX INCORPORATED AND SHOULD NOT BE USED WITHOUT WRITTEN PERMISSION			

	10		9		8		7		6		5		4		3		2		1
F	Sn		32.0	502352-1400	15	Au			15										
					14						14								
					13						13								
			28.0	502352-1200	12						12								
					11						11								
					10						10								
					9						9								
			20.0	502352-0800	8			20.0	502352-0810		8								
					7						7								
					6						6								
			5				5												
			4				4												
			3				3												
			2				2												
PLATING	A	EMBOSSED PACKAGE ORDER NO.			CKTS	PLATING	A	EMBOSSED PACKAGE ORDER NO.			CKTS								
CONNECTOR SERIES NO. 502352-**-08					CONNECTOR SERIES NO. 502352-**-18														

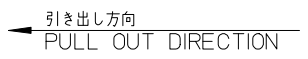
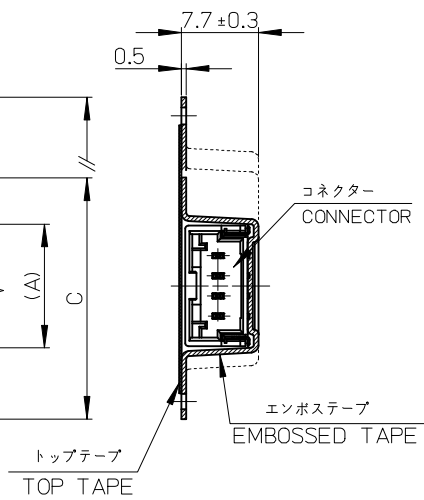
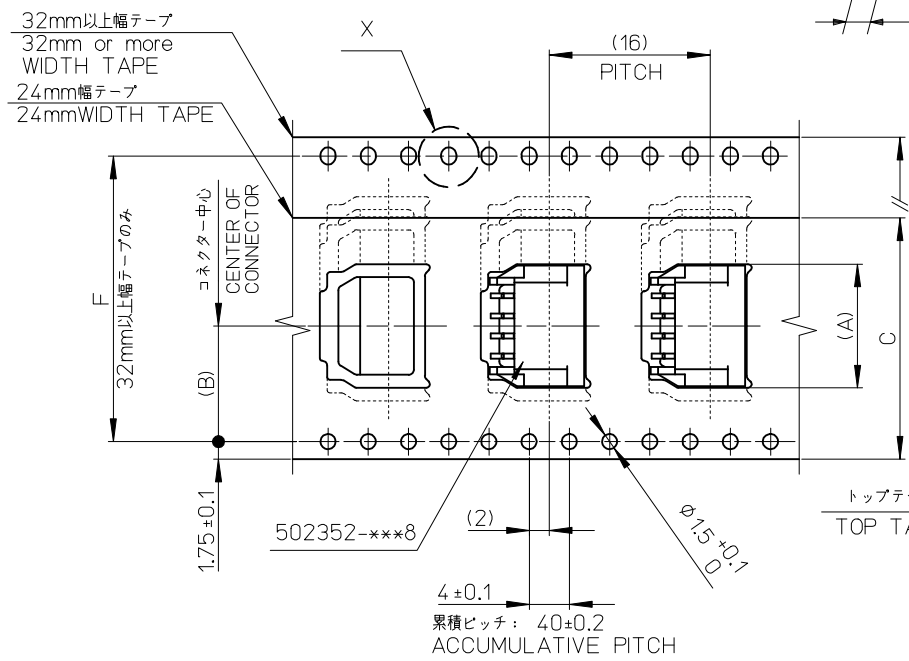
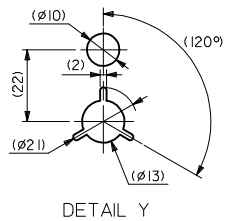
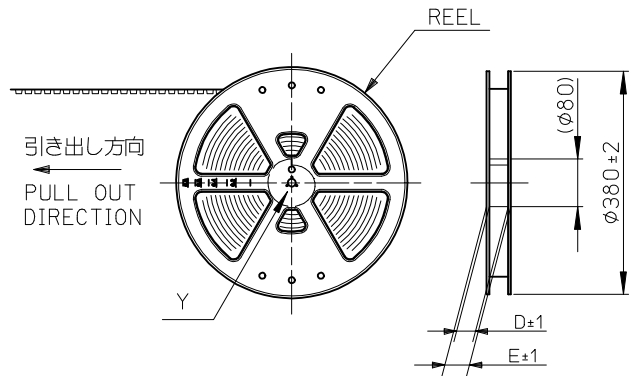
REVISED EC NO: JTR2014-0025 DRWN:YAMAKI 2013/09/11 CHKD:HKOMATSU 2013/09/11 APPR: MAYAMOTO 2013/09/13	GENERAL TOLERANCES (UNLESS SPECIFIED)	DIMENSION STYLE MM ONLY	SCALE 5:1	DESIGN UNITS METRIC	THIRD ANGLE PROJECTION	
	10 UNDER ±0.2	DRAWN BY SHSHIBATA	DATE 2007/12/18	TITLE 2.0MM PITCH W/B CONN. WAFER ASSY R/A SMT		
	10 OVER 30 UNDER ±0.25	CHECKED BY HKOMATSU	DATE 2007/12/18	molex		
	30 OVER ±0.3	APPROVED BY AKANESHIGE	DATE 2007/12/18			
ANGULAR ±3 °	MATERIAL NO. SEE CHART	DOCUMENT NO. SD-502352-001	SHEET NO. 3 OF 3			
DRAFT WHERE APPLICABLE MUST REMAIN WITHIN DIMENSIONS	SIZE A3	THIS DRAWING CONTAINS INFORMATION THAT IS PROPRIETARY TO MOLEX INCORPORATED AND SHOULD NOT BE USED WITHOUT WRITTEN PERMISSION				

注記
NOTES

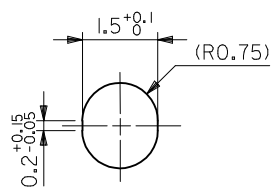
- 製品番号502352-***0 詳細寸法については、製品単体図面を参照下さい。
PART NO. 502352-***0 . SEE SALES DRAWING FOR CONNECTOR
- 梱包数量： 700個/リール
NUMBER OF CONNECTORS 700PCS/REEL
- リードテープ長さ
LEAD TAPE LENGHT



4. 材料
MATERIAL
キャリアテープ： ポリスチレン
CARRIER TAPE: POLYSTYRENE
トップテープ： PET, PE, PEF
TOP TAPE
リール： ポリスチレン
REEL: POLYSTYRENE



エンボステープ内の製品の向き
DIRECTION OF CONNECTOR
IN EMBOSSED TAPE



DETAIL X
(SCALE 10:1)

REVISED EC NO: JTR2014-0025 DRAWN: YAMAKI 2013/09/12 CHKD: HKOMATSU 2013/09/12 APPR: MAYAMAMOTO 2013/09/13	GENERAL TOLERANCES (UNLESS SPECIFIED)		DIMENSION STYLE MM ONLY	SCALE	DESIGN UNITS METRIC	THIRD ANGLE PROJECTION
	10 UNDER	±0.2	DRAWN BY SHSHIBATA	DATE 2007/6/6	TITLE 2.0MM PITCH W/B CONN. WAFER ASSY EMBOSSED TAPE PACKAGE	
	10 OVER 30 UNDER	±0.25	CHECKED BY TAITO	DATE 2007/6/6	molex	
	30 OVER	±0.3	APPROVED BY MAYAMAMOTO	DATE 2012/03/14		
ANGULAR ±1 °	DRAFT WHERE APPLICABLE MUST REMAIN WITHIN DIMENSIONS		MATERIAL NO. SEE CHART	SHEET NO. 1 OF 2		
SIZE A3	THIS DRAWING CONTAINS INFORMATION THAT IS PROPRIETARY TO MOLEX INCORPORATED AND SHOULD NOT BE USED WITHOUT WRITTEN PERMISSION					

