

Guard grilles



- **Material:** Zinc-plated or nickel-plated steel wire
- **Note:** Safety grille in line with DIN EN ISO 13857 (previously EN 294). Additional safety grilles that do not meet DIN EN ISO 13857 can be delivered on request. Our safety grilles are designed specifically for use with ebm-papst fans. They combine the highest degree of safety with minimum effect on operating noise. Please note that safety-relevant clearances cannot be guaranteed when using safety grilles from other manufacturers.

Fan series	Guard grilles
400	LZ29-1
420 J	LZ29-1
500	LZ31
600	LZ28-1
3000	LZ23-1
8000	LZ32-4 / LZ22-2
9000	LZ30-4 / LZ 30 / LZ 30-3
4000	LZ30-4 / LZ 30 / LZ 30-3

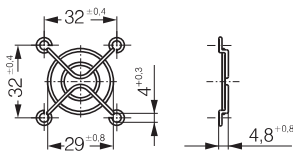
Fan series	Guard grilles
5100	LZ25
5600	LZ25
5200	LZ35
5300	LZ53
5900	LZ35
7000	LZ36
6300	LZ37
6400	LZ38

Fan series	Guard grilles
2200 F	LZ22
DV 4100	LZ30-4 Intake-/Outlet side
DV 5200	LZ35 Intake-/Outlet side
DV 6300	LZ37 Intake side
DV 6300	LZ52 Outlet side
DV 6400	LZ38 Intake side
DV 6400	LZ39 Outlet side

Subject to alternations

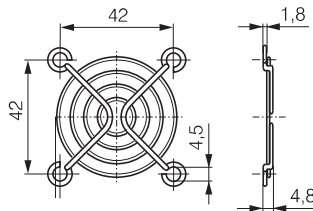
LZ29-1

Fan size 40 x 40



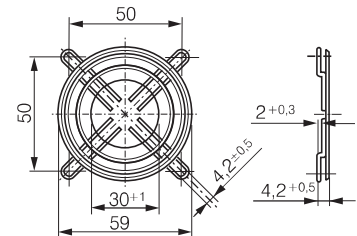
LZ31

Fan size 50 x 50



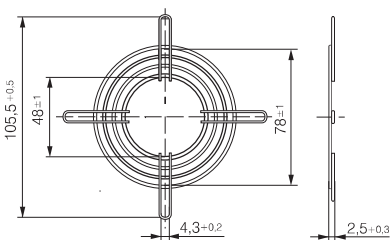
LZ28-1

Fan size 60 x 60



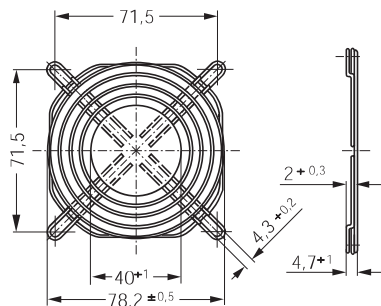
LZ22-2

Fan size 80 x 80



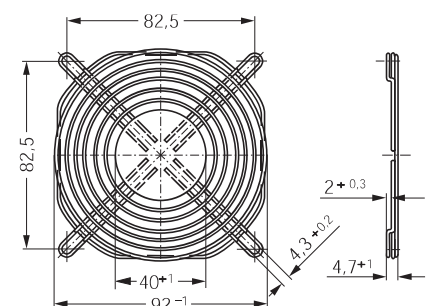
LZ32-4

Fan size 80 x 80

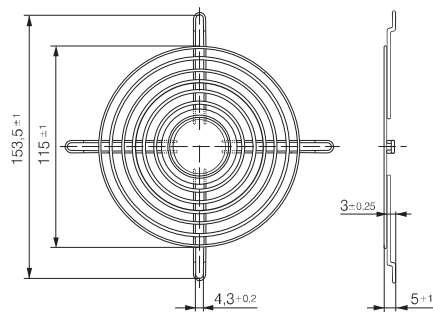


LZ23-1

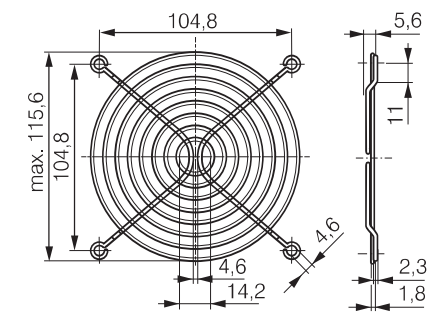
Fan size 92 x 92



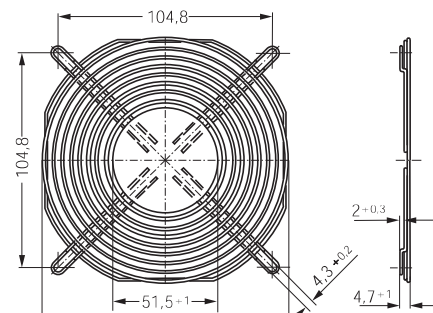
LZ30 Fan size 119 x 119



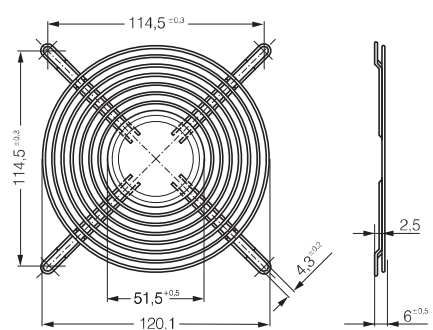
LZ30-3 Fan size 119 x 119



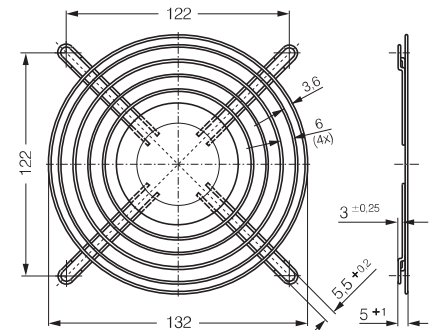
LZ30-4 Fan size 119 x 119



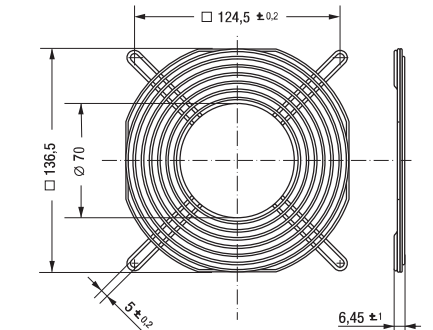
LZ35 Fan size 127 x 127



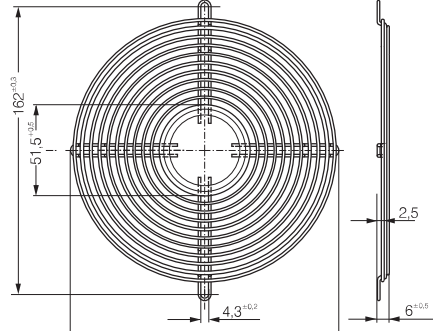
LZ25 Fan size 135 x 135



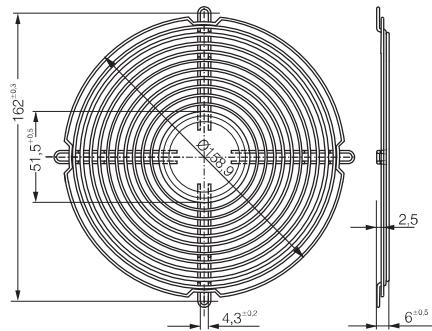
LZ53 Fan size 140 x 140



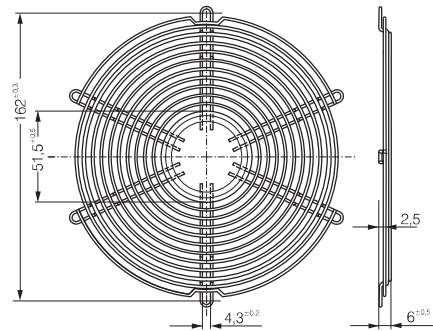
LZ36 Fan size 150 x 172



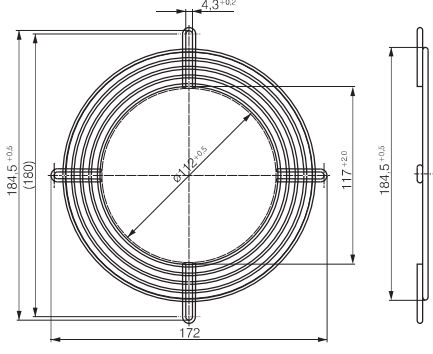
LZ37 Fan size 172 x 51



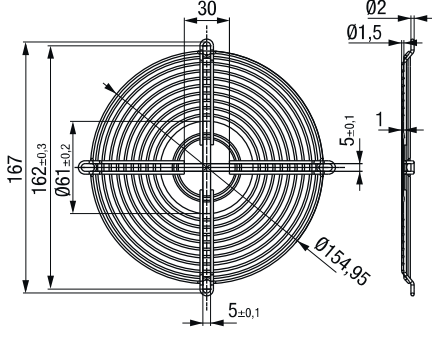
LZ38 Fan size 172 x 51



LZ39 Fan size 172 x 51



LZ52 Fan size 172 x 51



LZ22 Fan size 200 x 51

