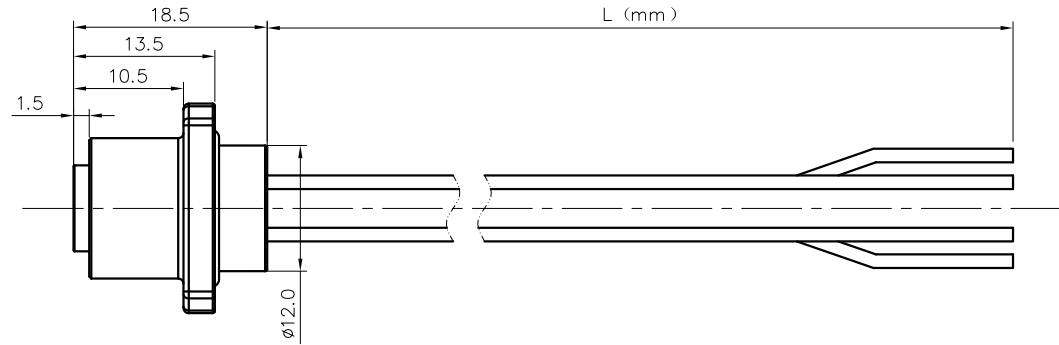
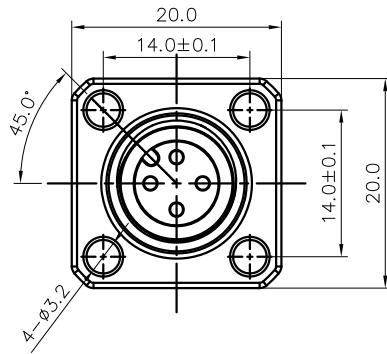


3pin A Coding		4pin A Coding		5pin A Coding		6pin A Coding		8pin A Coding	
Pin Assignments Front View		Pin Assignments Front View		Pin Assignments Front View		Pin Assignments Front View		Pin Assignments Front View	
4	Black	4	Black	5	Grey	4	Yellow	8	Red
3	Blue	3	Blue	4	Black	3	Green	7	Blue
1	Brown	2	White	3	Blue	2	Brown	6	Pink
Pin	Wire Color	Pin	Wire Color	Pin	Wire Color	Pin	Wire Color	Pin	Wire Color
	Pin Out		Pin Out		Pin Out		Pin Out		Pin Out

SD-M12X-XXP-FF-SS80XX-00A(H)  
 Coding: A,B,D  
 Pin number: 03,04,05,06,08,10,12,17  
 Thread specification: O:14X14  
 XX: 150~1500mm  
 15: 150±15mm  
 30: 300±20mm  
 50: 500±20mm  
 A0: 1000±40mm  
 A5: 1500±40mm  
 Wire Length L: 150~1500mm



MATERIAL: /	SURFACE: /	
MAT.NO.: XXXXXXXXXXXX	宁波高松电子有限公司 NINGBO DEGSON ELECTRICAL CO., LTD	
STATUS: /		
APPD:	Description: SD-M12X-XXP-FF-SS80XX-00A(H)	
CHKD:		
DRFT: Jiang MX 2021.12.08	DRAWING NO.: xxxxxxxx	REV D0-1
⊕	SIZE: A4	TYPE: PRODUCT DRAWING
	SCALE: 1:1	SHEET 1/2

Transfer or duplication of this document as well as the utilization or communication of its contents are prohibited unless explicit authorization is granted. Violations will be liable for compensation. All rights reserved for patent, utility, model or designs registrations. 除非给予明确授权，否则禁止转让、复制、利用、交易本文件的内容。未经许可擅自复制或传播，侵权者将承担法律责任。本公司保留所有权利。

Transfer or duplication of this document as well as the utilization or communication of its contents are prohibited unless explicit authorization is granted. Violations will be liable for compensation. All rights reserved for patent, utility, model or designs registrations. 除非给予书面授权，否则禁止转让、复制、利用、交易本文件的内容。未经许可擅自复制或传播，公司将保留追究法律责任。 侵权必究。

17pin A Coding		12pin A Coding		10pin A Coding		5pin B Coding		4pin D Coding	
Pin Assignments Front View		Pin Assignments Front View		Pin Assignments Front View		Pin Assignments Front View		Pin Assignments Front View	
17	White/Grey								
16	Yellow/Brown								
15	White/Yellow								
14	Brown/Green								
13	White/Green								
12	Red/Blue	12	Red/Blue						
11	Grey/Pink	11	Grey/Pink						
10	Violet	10	Violet	10	Violet				
9	Red	9	Red	9	Red				
8	Grey	8	Grey	8	Grey				
7	Black	7	Black	7	Black				
6	Yellow	6	Yellow	6	Yellow				
5	Pink	5	Pink	5	Pink	5	Grey		
4	Green	4	Green	4	Green	4	Black	4	Black
3	White	3	White	3	White	3	Blue	3	Blue
2	Blue	2	Blue	2	Blue	2	White	2	White
1	Brown	1	Brown	1	Brown	1	Brown	1	Brown
Pin	Wire Color	Pin	Wire Color	Pin	Wire Color	Pin	Wire Color	Pin	Wire Color
	Pin Out		Pin Out		Pin Out		Pin Out		Pin Out

NOTES:

- Rated voltage/current : 3pin A: 250V / 4A  
4pin A: 250V / 4A  
5pin A: 60V / 4A  
6pin A: 30V / 2A  
8pin A: 30V / 2A  
10pin A: 30V / 1.5A  
12pin A: 30V / 1.5A  
17pin A: 30V / 1.5A  
5pin B: 60V / 4A  
4pin D: 250V / 4A
- Withstanding voltage : 3,4pin: AC1500V/1Min  
5pin: AC1120V/1Min  
6,8pin: AC500V/1Min  
10,12,17pin: AC500V/1Min  
5pin B: AC1120V/1Min  
4pin D: AC1500V/1Min
- Levels of protection: IP68
- Wire specifications :  
3pin A: 22AWG/0.34mm<sup>2</sup>,UL1061  
4pin A: 22AWG/0.34mm<sup>2</sup>,UL1061  
5pin A: 22AWG/0.34mm<sup>2</sup>,UL1061  
6pin A: 24AWG/0.25mm<sup>2</sup>,UL1061  
8pin A: 24AWG/0.25mm<sup>2</sup>,UL1061  
10pin A: 26AWG/0.14mm<sup>2</sup>,UL1061  
12pin A: 26AWG/0.14mm<sup>2</sup>,UL1061  
17pin A: 26AWG/0.14mm<sup>2</sup>,UL1061  
5pin B: 22AWG/0.34mm<sup>2</sup>,UL1061  
4pin D: 22AWG/0.34mm<sup>2</sup>,UL1061
- Wire connection mode: soldering
- Operating temperature: -25°C~+80°C
- For Panel Thickness Max: 4.5mm
- RoHS Compliance
- Tolerance : ±0.5mm

MATERIAL: /		SURFACE: /	
MAT.NO.: XXXXXXXXXXXX		宁波高松电子有限公司 NINGBO DEGSON ELECTRICAL CO., LTD	
STATUS: /			
APPD:		Description:	
CHKD:		SD-M12X-XXP-FF-SS80XX-00A(H)	
DRFT:Jiang MX 2021.12.08		DRAWING NO.: xxxxxxxx	REV D0-1
REV	ECN	DESCRIPTION	DRFT DATE
1	2	3	4
SIZE: A4		TYPE: PRODUCT DRAWING	SCALE: 1:1 SHEET 2/2

REV	ECN	DESCRIPTION	DRFT	DATE	SIZE: A4	TYPE: PRODUCT DRAWING	SCALE: 1:1	SHEET 2/2
-----	-----	-------------	------	------	----------	-----------------------	------------	-----------