



PRODUCT DATASHEET

Zorya series

last update 17/1/2018

DETAILS

| | |
|------------------------|-------------------------|
| Product Number | CA15584_ZORYA-MINI-TAPE |
| Family | Zorya |
| Type | Assembly |
| Color | clear |
| Diameter | 24 mm |
| Height | 14,6 mm |
| Style | round |
| Optic Material | PC |
| Holder Material | |
| Fastening | tape, snaps |
| Status | production ready |
| ROHS Compliant | Yes |
| Date Updated | 17/01/2018 |



OPTICAL PROPERTIES

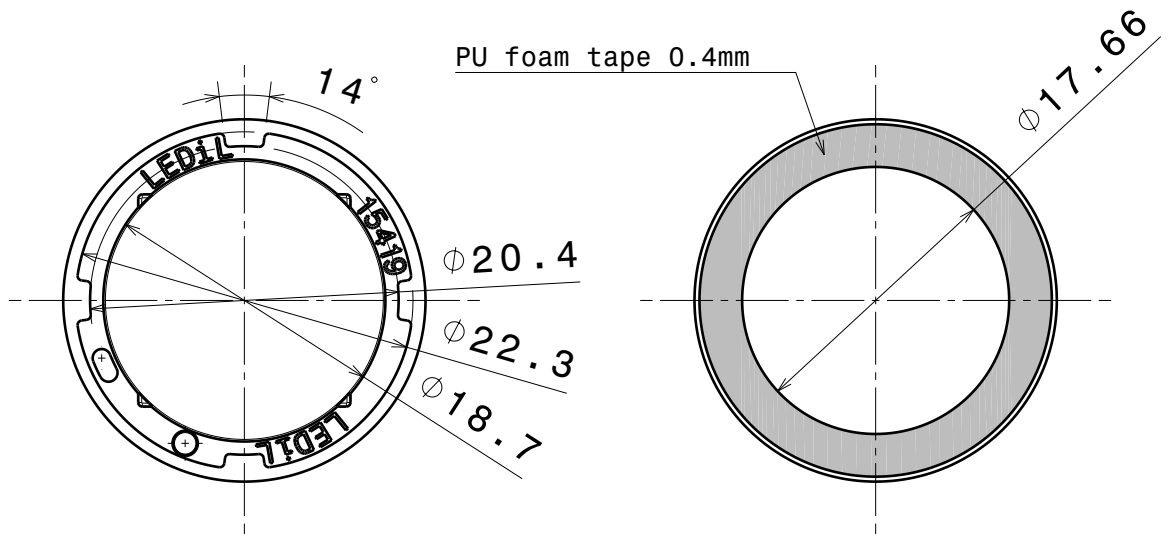
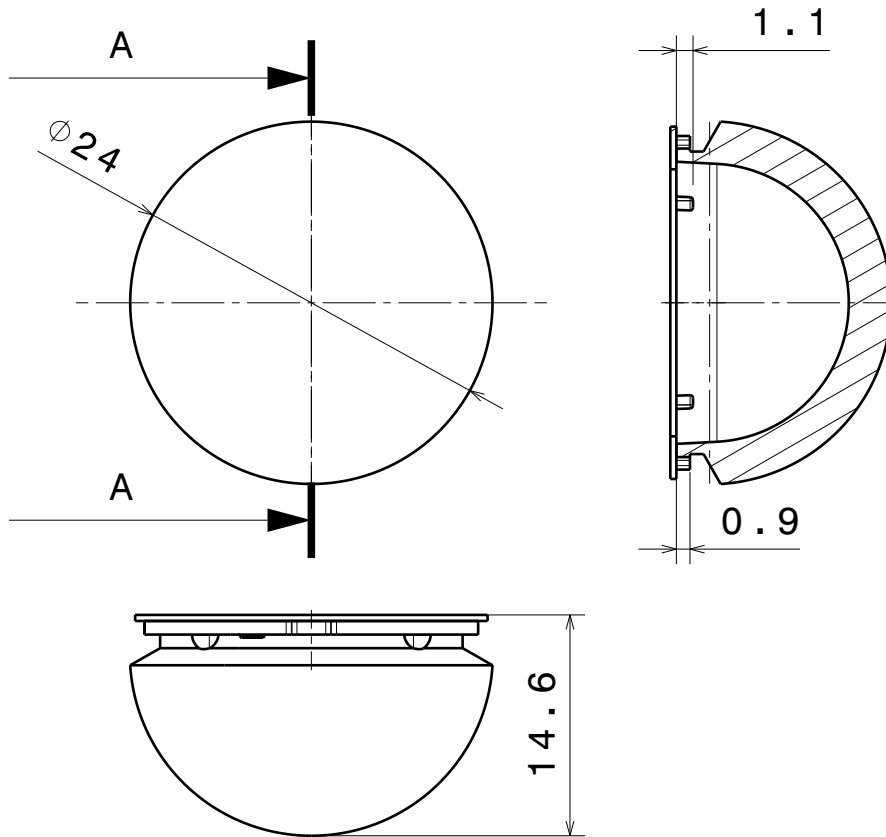
| LED | Viewing Angle | Light Beam | Efficiency | cd/lm | Connector |
|-------|---------------|---------------|------------|------------|-----------|
| XP-E2 | sim: 145 | Decorative... | sim: 98 % | sim: 0.110 | - |

D

C

B

A



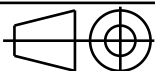
| INDEX | PART NO | DESCRIPTION | MATERIAL | COLOUR |
|-------|---------|-------------|----------|--------|
| 1 | C15419 | ZORYA-MINI | PC | Clear |

Tolerances if not otherwise shown
According to DIN ISO 2768-1
Linear measures:
Up to 30mm class M, otherwise class C.
According to DIN ISO 2768-2
Form and position: class L

LEDiL

Ledil Oy
Salorankatu 10
FIN 24240 SALO
Finland

THIRD ANGLE PROJECTION:



DRAWING TITLE

CA15584_ZORYA-MINI-TAPE

This drawing is the property
of LEDiL Oy. It may not be
reproduced, copied or
communicated without a written
agreement with LEDiL Oy.

SIZE PART NUMBER

A4

CA15584

SCALE 2:1 WEIGHT 2,4 g SHEET 1/1

D

A

NOTE: The typical divergence will be changed by different color, chip size and chip position tolerance. The typical total divergence is the full angle measured where the luminous intensity is half of the peak value.