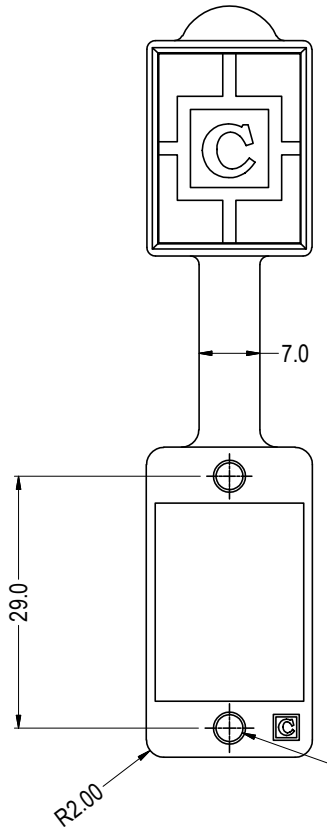
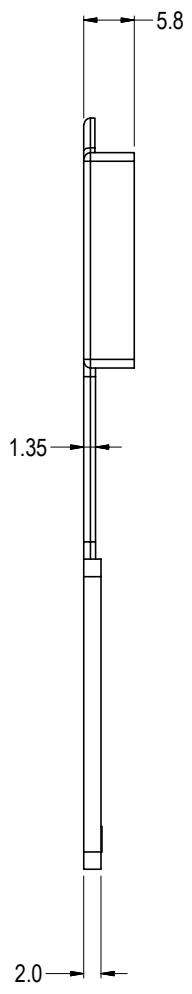
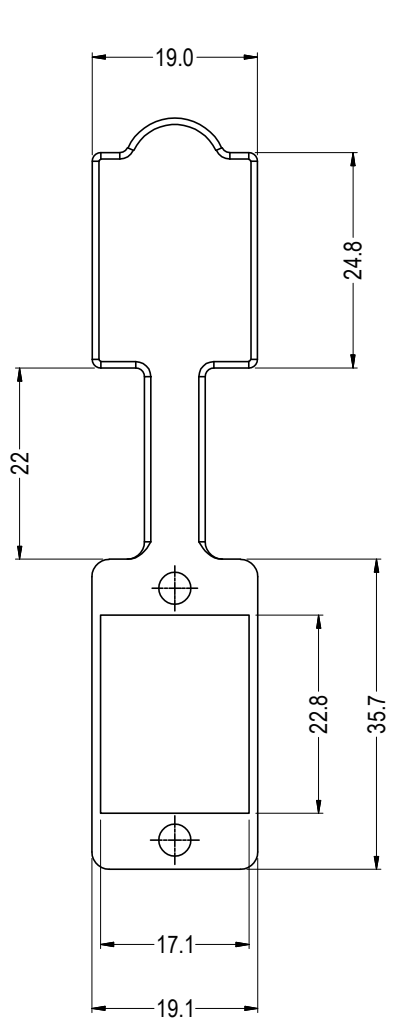
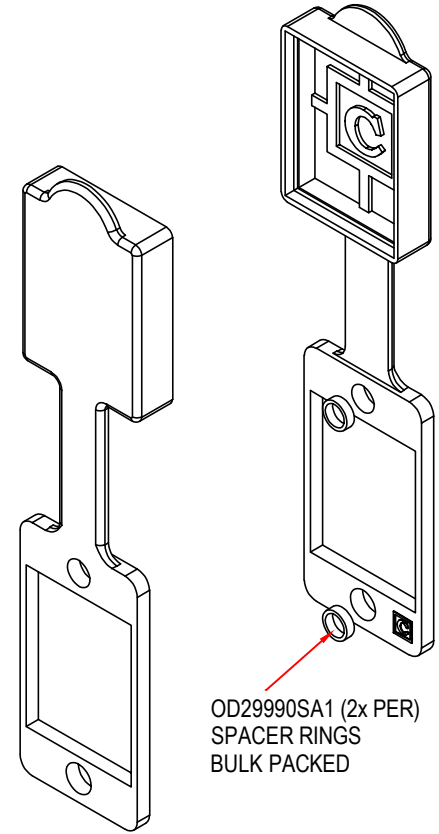


ISS.	AMEND	DATE
1	ISSUED	13/07/21



Ø3.70 WITHOUT RING
Ø3.15 WITH RING



- NOTES**
- 1) GASKETS SUPPLIED BULK PACKED.
 - 2) 2x SPACER RINGS PER GASKET, SUPPLIED BULK PACKED.
 - 3) OTHER COLOURS AVAILABLE ON REQUEST, SUBJECT TO MOQ.

VARIANTS	
PART No.	COLOUR
CP299832	BLACK
CP299835	GREEN
CP299837	RED
CP299838	BLUE

RoHS COMPLIANT

TOLERANCE

NO DEC. PLACE ±
1 DEC. PLACE ±
2 DEC. PLACE ±
HOLE Ø ±
ANGLES ±
UNLESS OTHERWISE STATED

Cliff Electronic Components Ltd.
76 Holmethorpe Avenue, Holmethorpe Industrial Estate,
Redhill, Surrey, RH1 2PF, England, UK
Tel: 01737-771375 Fax: 01737-766012 Website: www.cliffuk.co.uk

THE CONTENTS OF THIS DOCUMENT MUST NOT BE COPIED OR DISCLOSED TO A 3rd PARTY WITHOUT WRITTEN PERMISSION OF CLIFF UK. © 2021

DIMENSIONS IN MILLIMETERS UNLESS OTHERWISE STATED. WORK TO DIMENSIONS. REMOVE ALL BURRS. IF IN DOUBT ASK.

MATERIAL: SILICONE RUBBER

FINISH: ALL OUTER SURFACES SPARK 24 VDI

DRAWN: DPJ

APPROVED: C.A.M.J.

3rd ANGLE PROJECTION:

TITLE: SLIM FT FLAT GASKET WITH DUST CAP KIT

DRWG. No. **CP299832**

DO NOT SCALE

FORM: A4DRWGH