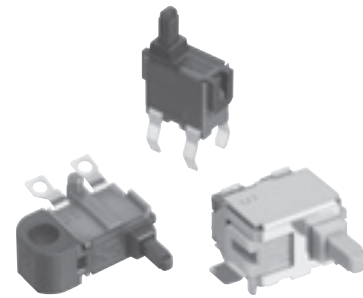


ESE11 Detector Switches

Type: **ESE11**



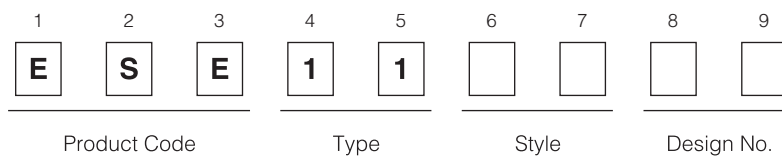
■ Features

- Wide range of customizable features including operational directions
- Light operating force
- Wide available range for reflow soldering

■ Recommended Applications

- Detection of media in portable electronic equipment

■ Explanation of Part Numbers



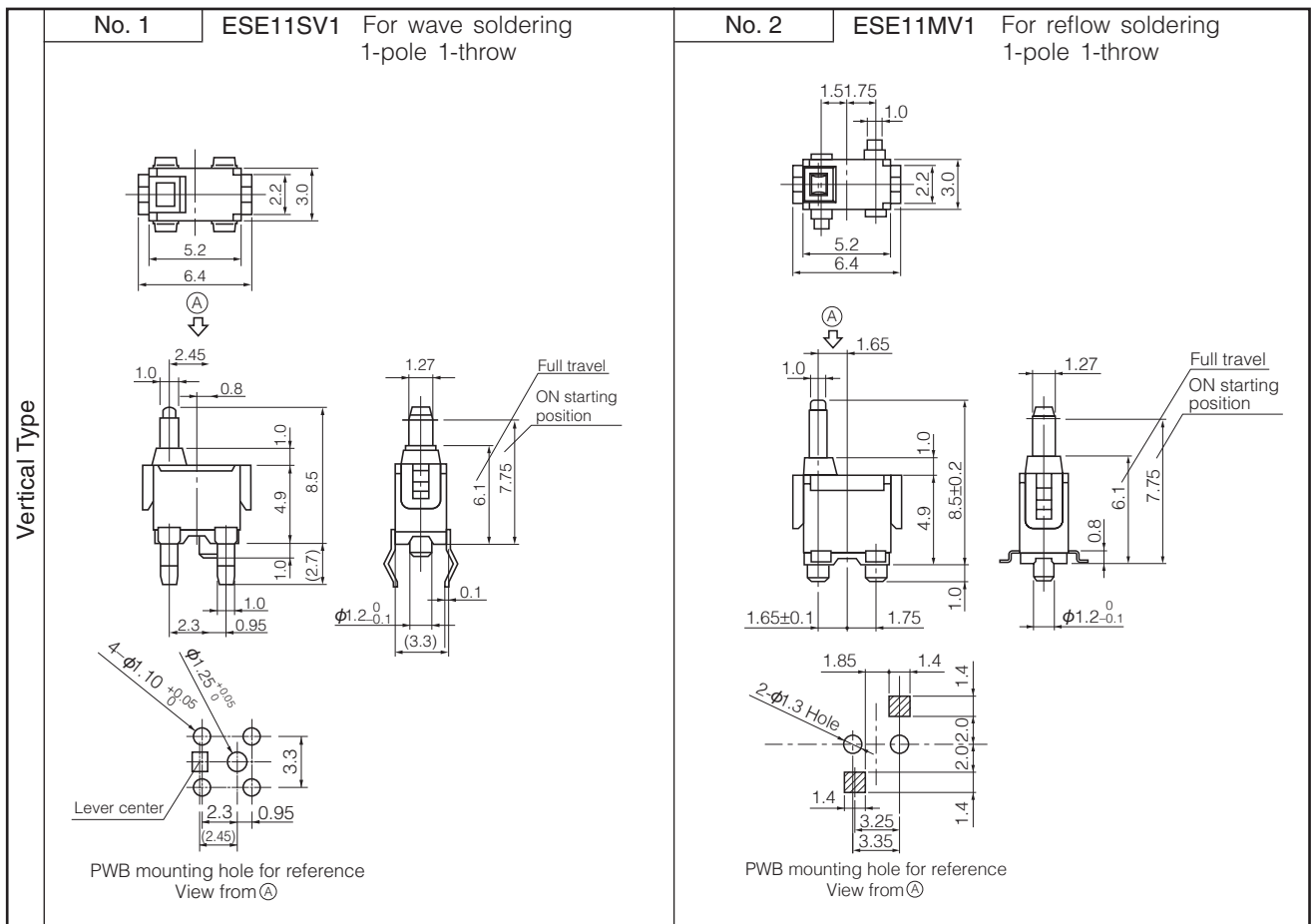
■ Specifications

Rating	50 μ A 3 V DC to 10 mA 5 V DC (Resistive load)
Contact Resistance	500 m Ω max. (Initial)
Insulation Resistance	100 M Ω min. (at 100 V DC for 1 minute)
Dielectric Withstanding Voltage	100 V AC (50 Hz or 60 Hz) for 1 minute
Operating Force	350 mN max. (Full Travel)
Mounting Height	<ul style="list-style-type: none"> · ESE11SV Type 4.9 mm · ESE11MV Type 4.9 mm · ESE11SH Type 5.25 mm · ESE11MH Type 4.25 mm · ESE11HS Type 3.6 mm
Poles and Throws	1-pole 1-throw
Full Travel (Pushing distance)	<ul style="list-style-type: none"> · ESE11SV Type 6.1 mm (2.4 mm) · ESE11MV Type 6.1 mm (2.4 mm) · ESE11SH Type 3.0 mm (2.4 mm) · ESE11MH Type 1.7 mm (2.4 mm) · ESE11HS Type 6.3 mm (2.4 mm)
Operating Life	50,000 cycles min.
Temperature Range	-10 °C to +70 °C (Standard), -40 °C to +85 °C (Automotive)
Heat Resistance	+80 °C for 96 hours
Low Temperature Resistance	-25 °C for 96 hours
Humidity Resistance	+40 °C 90 % to 95 % RH for 96 hours

Design and specifications are each subject to change without notice. Ask factory for the current technical specifications before purchase and/or use.
Should a safety concern arise regarding this product, please be sure to contact us immediately.

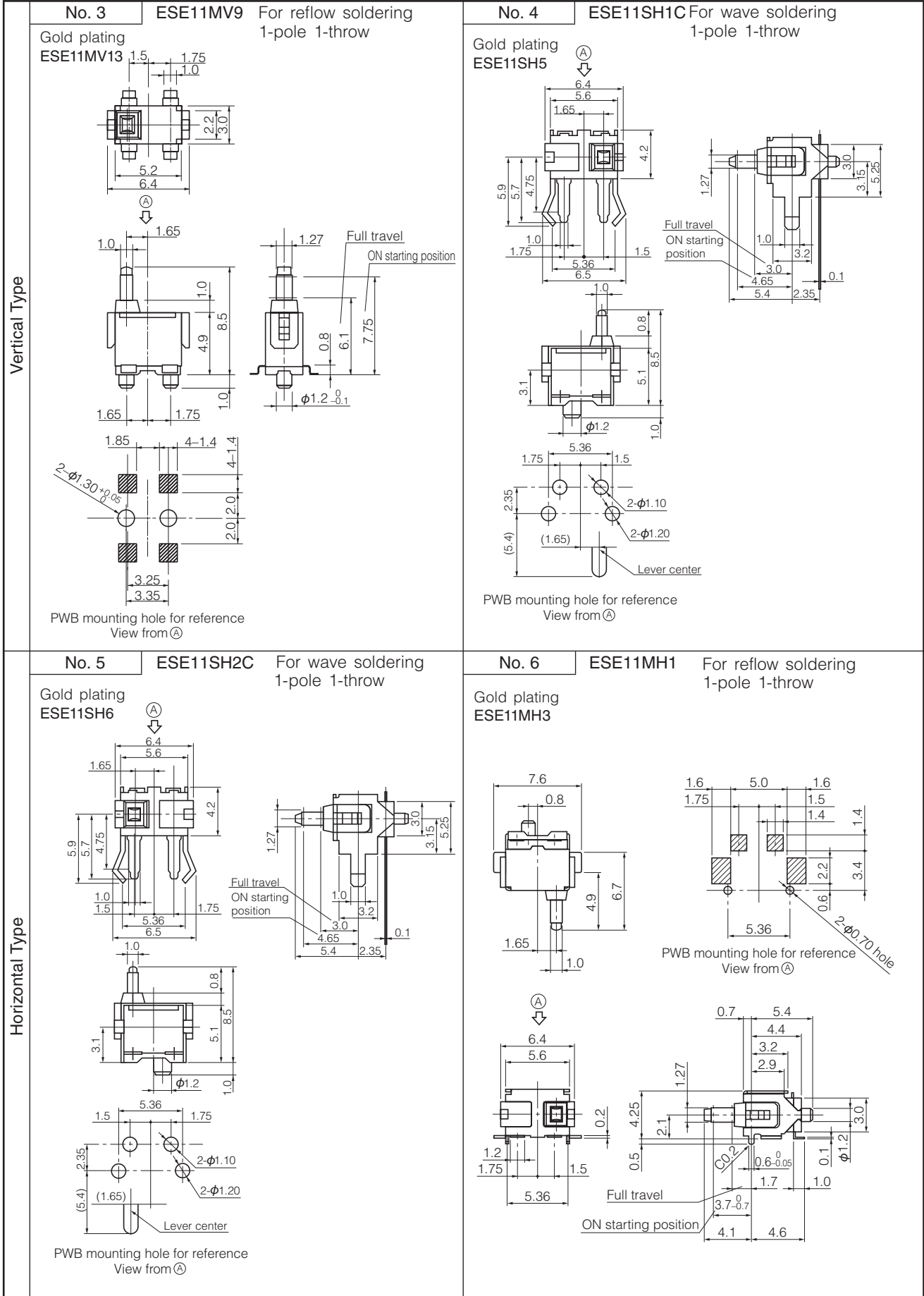
Minimum Quantity/Packing Unit	ESE11SV□ ESE11MV□ ESE11SH□ ESE11MH□ ESE11HS□	200 pcs. Polyethylene Bag (Bulk)
	ESE11MV□T (Excluding : ESE11MV2)	800 pcs. Embossed Taping (Reel Pack)
	ESE11MH□T	1,500 pcs. Embossed Taping (Reel Pack)
Quantity/ Carton	ESE11SV□ ESE11MV□ ESE11SH□ ESE11MH□ ESE11HS□	10,000 pcs. Polyethylene Bag (Bulk)
	ESE11MV□T (Excluding : ESE11MV2)	4,800 pcs. Embossed Taping (Reel Pack)
	ESE11MH□T	9,000 pcs. Embossed Taping (Reel Pack)

■ Dimensions in mm (not to scale)



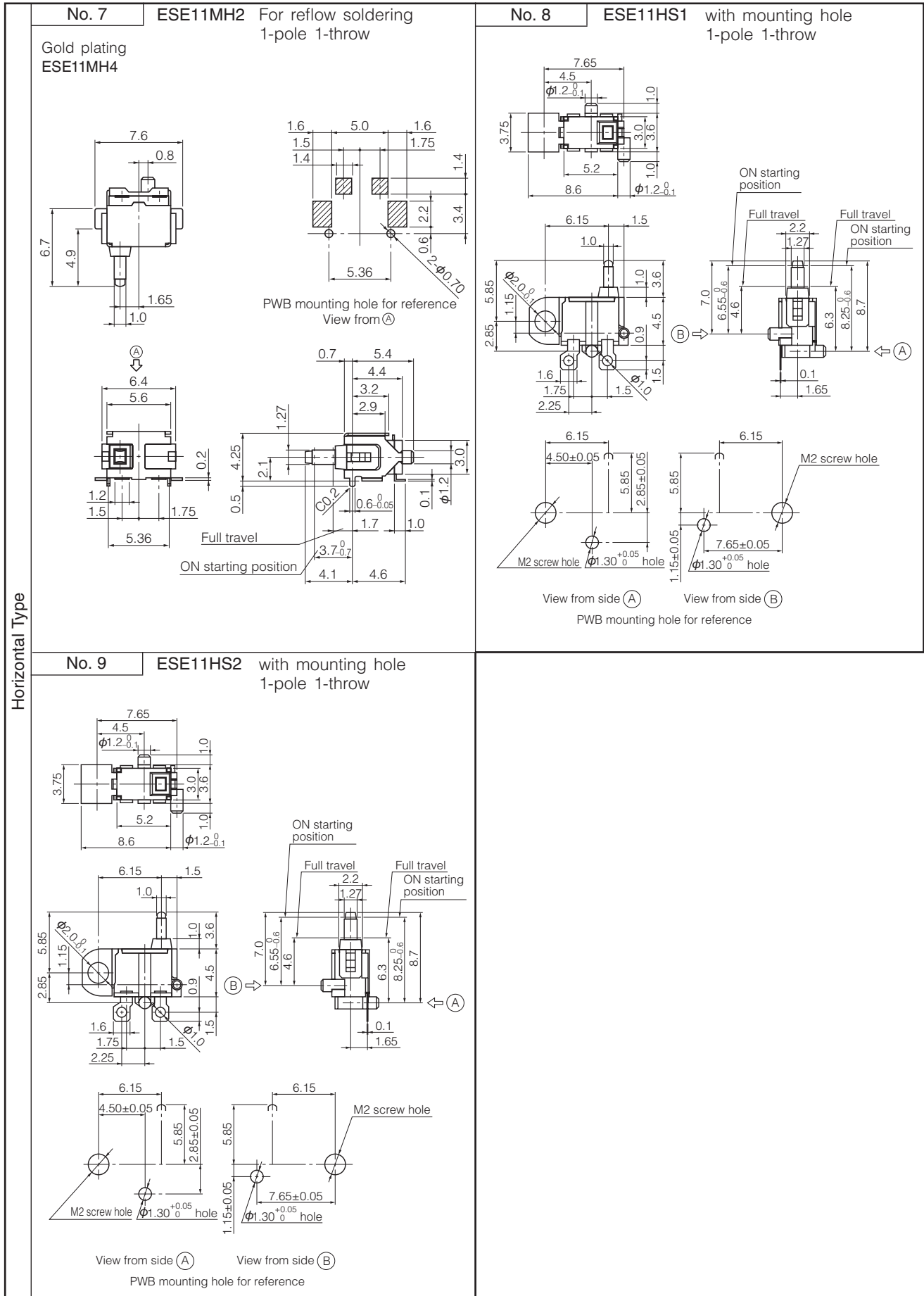
Design and specifications are each subject to change without notice. Ask factory for the current technical specifications before purchase and/or use.
Should a safety concern arise regarding this product, please be sure to contact us immediately.

■ Dimensions in mm (not to scale)



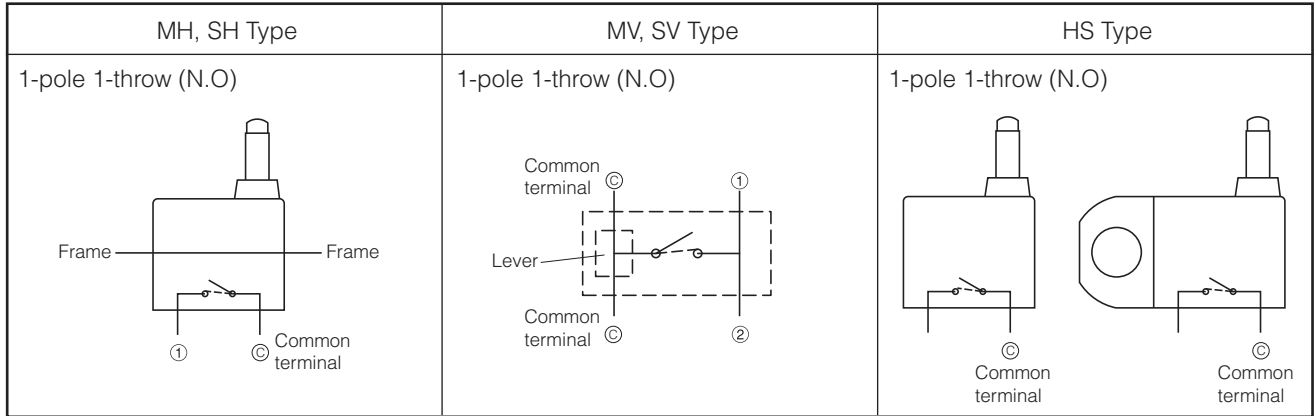
Design and specifications are each subject to change without notice. Ask factory for the current technical specifications before purchase and/or use. Should a safety concern arise regarding this product, please be sure to contact us immediately.

■ Dimensions in mm (not to scale)



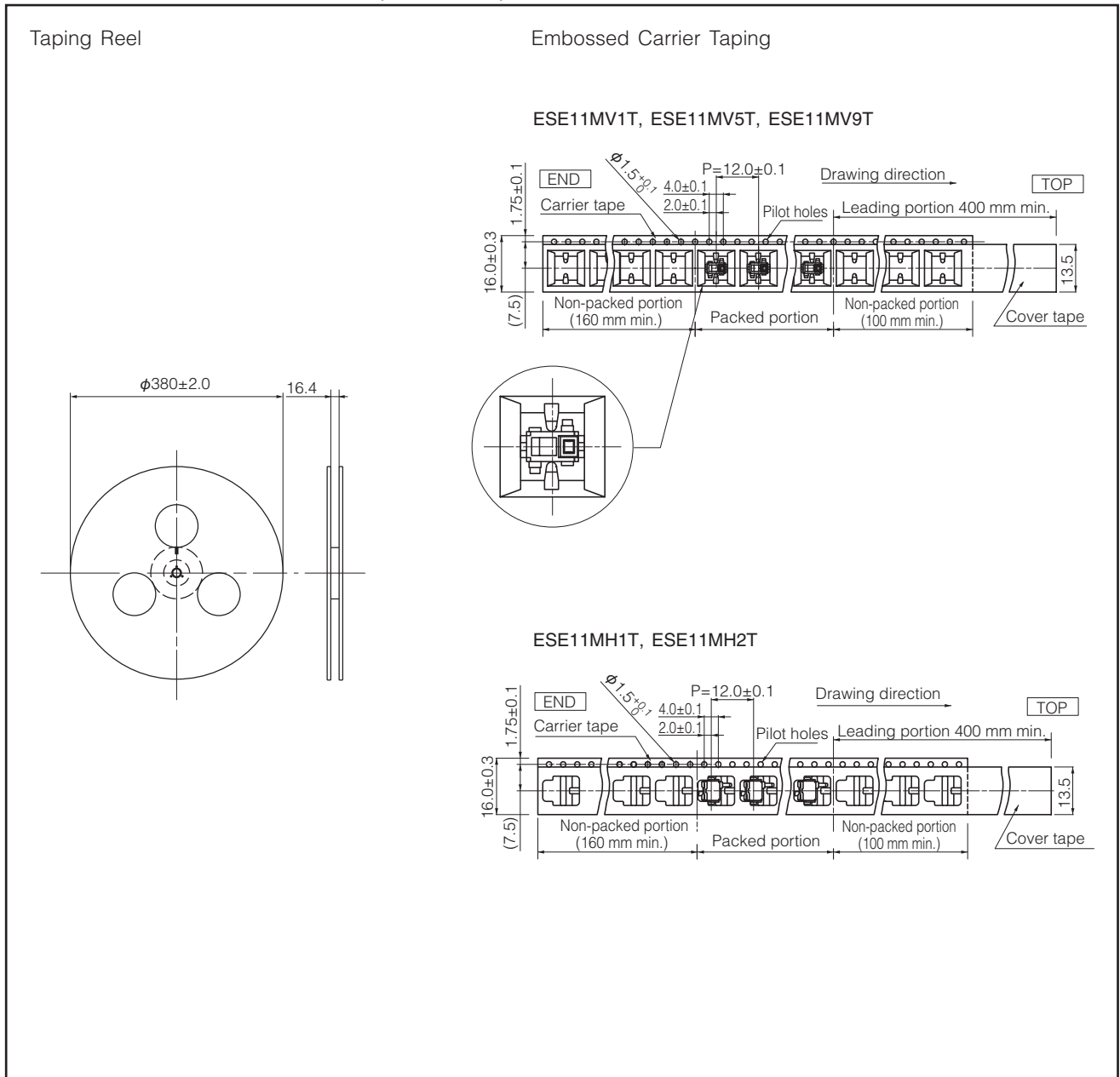
Design and specifications are each subject to change without notice. Ask factory for the current technical specifications before purchase and/or use. Should a safety concern arise regarding this product, please be sure to contact us immediately.

■ Circuit Diagram



■ Packaging Specifications

Standard Reel Dimensions in mm (not to scale)



Design and specifications are each subject to change without notice. Ask factory for the current technical specifications before purchase and/or use.
Should a safety concern arise regarding this product, please be sure to contact us immediately.

Requests to customers

Please refer to "the latest product specifications" when designing your product.

Requests to customers :

<https://industrial.panasonic.com/ac/e/salespolicies/>

Safety Precautions

When using our products, no matter what sort of equipment they might be used for, be sure to confirm the applications and environmental conditions with our specifications in advance.

Please contact

Panasonic Corporation

Electromechanical Control Business Division

■ 1006, Oaza Kadoma, Kadoma-shi, Osaka 571-8506, Japan
industrial.panasonic.com/ac/e/

Panasonic[®]

©Panasonic Corporation 2019