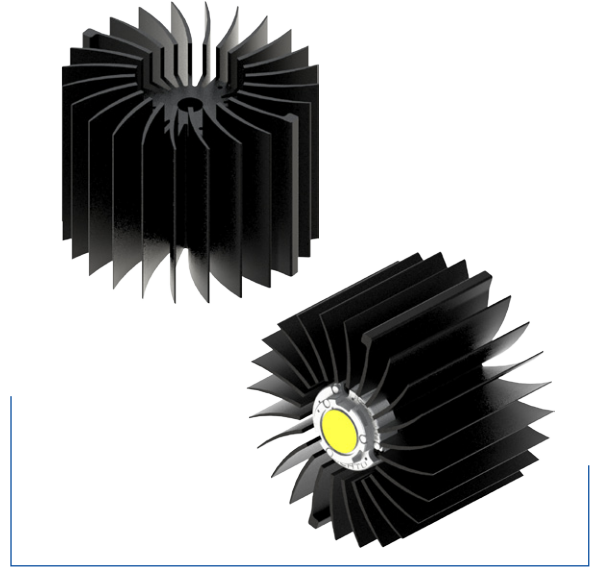


## XSA-54 Xicato XSM LED Star Heat Sink ø 120mm

### Features & Benefits

- Designed for Xicato XSM series - thermal class Q
- Xicato accessory reference XSA-54  
M2/M3 mounting screws are supported
- Thermal resistance Rth 1.0°C/W
- Diameter 120mm base - Standard height 87mm  
other heights on request
- Extruded from highly conductive aluminium
- Standard colors - clear anodised - black anodised  
Other colors and finishings on request  
( all RAL/Pantone colors available )



### Order Information

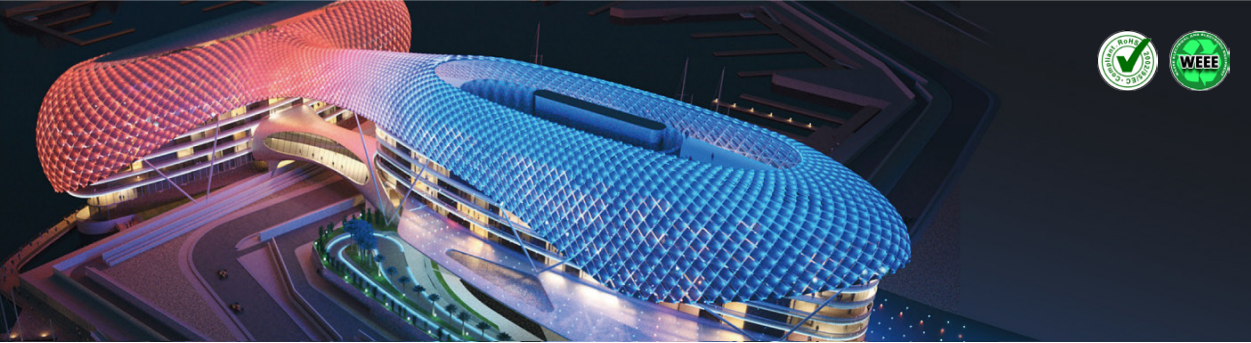
# XICATO

Example : XSA-54-M2-B-13

XSA-54 - **1** - **2** - **3**

- 1** XSM Mounting  
 "M2" - M2 screw threads  
 "M3" - M3 screw threads
- 2** Anodising color  
 "B" - Black Anodised  
 "C" - Clear Anodised  
 "Z" - Custom ( specify )
- 3** Mounting Options - see graphics for details  
 Combinations available  
 Ex. order code - 13  
 means option 1 and 3 combined

MOUNTING OPTION	THREAD	THREAD DEPTH
NONE/BLANC	NONE	NONE
1	M3 x 0.5	5mm MIN.
2	#6-32 UNC	0.2" MIN.
3	M3 x 0.5	5mm MIN.
4	#6-32 UNC	0.2" MIN.
5	M3 x 0.5	5mm MIN.

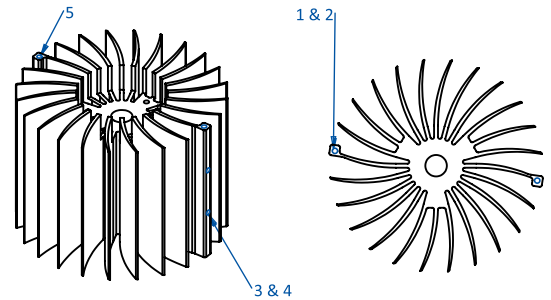


## XSA-54 Xicato XSM LED Star Heat Sink $\phi$ 120mm

### Product Details

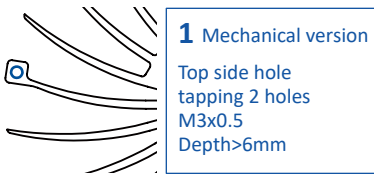
	Total Height <sup>mm</sup>	Volume <sup>mm<sup>3</sup></sup>	Cooling Surface <sup>mm<sup>2</sup></sup>	Weight <sup>g</sup>
XSA-54	87	217487.51	187379.99	630

### Mounting Options

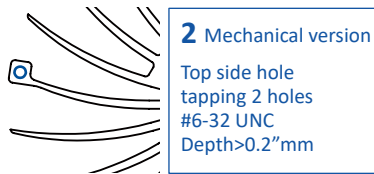


#### Notes:

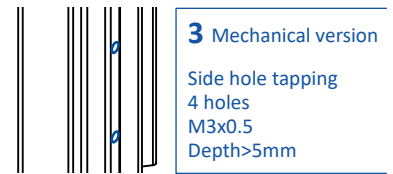
1. MechaTronix reserves the right to change products or specifications without prior notice.
2. Mentioned models are an extraction of the full product range. For specific mechanical adaptations please contact MechaTronix.
3. All these types are made by extrusion process from highly conductive aluminum type AL6063 T5 with a typical Thermal Conductivity of 209W/m-K.



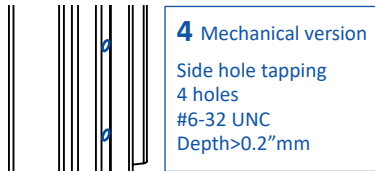
**1 Mechanical version**  
Top side hole tapping 2 holes  
M3x0.5  
Depth > 6mm



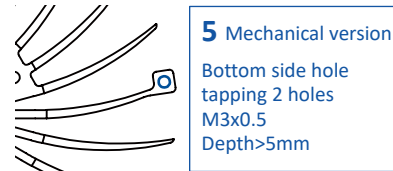
**2 Mechanical version**  
Top side hole tapping 2 holes  
#6-32 UNC  
Depth > 0.2" mm



**3 Mechanical version**  
Side hole tapping 4 holes  
M3x0.5  
Depth > 5mm



**4 Mechanical version**  
Side hole tapping 4 holes  
#6-32 UNC  
Depth > 0.2" mm



**5 Mechanical version**  
Bottom side hole tapping 2 holes  
M3x0.5  
Depth > 5mm

### Drawings & Dimensions

#### Example : XSA-54-M2

