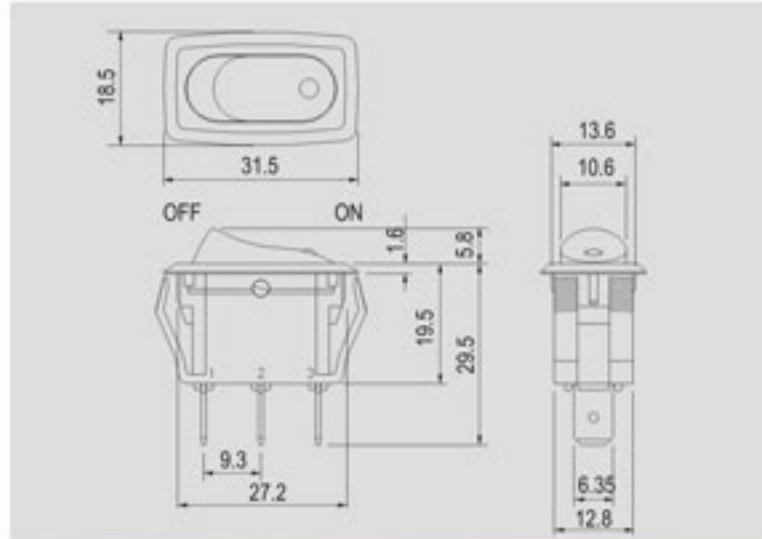


R13-238



Rating
20A 125V AC 1/3HP • 16A 250V AC 1/2HP 10(4) 250V-T85
Contact resistance
50mΩ Max
Insulation resistance
DC 500V 100MΩ Min
Dielectric strength
AC 1500V 1 minute
Cut-out
X
Y

FEATURES

- * MATERIAL: Frames are nylon (UL flame: 94V-2). Terminals are silver plated brass.
- * Illuminated actuators are molded in PC, available with red, amber and green colors.
- * Snap-in mounting, easy to install switch into panel.

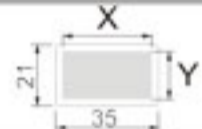
Ordering number instruction

R13-238 -

FUNCTION	TERMINAL
Different position (動作特性不同)	0 1 .250" SQ
A 2P SPST	0 5 SO N/A for D8/I8
C 3P SPDT	
D 3P SPDT	

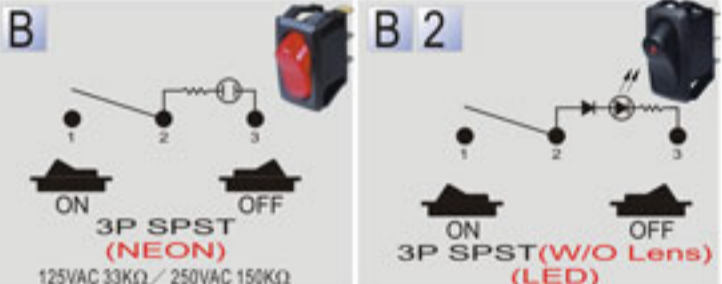
Terminal	X	Y
0.75-2.5	29.4-0.1	13.8-0.1
2.50-3.5	29.4-0.1	13.8-0.1
3.50-4.5	29.4-0.1	13.8-0.1

Cut-out for X8 ROCKER

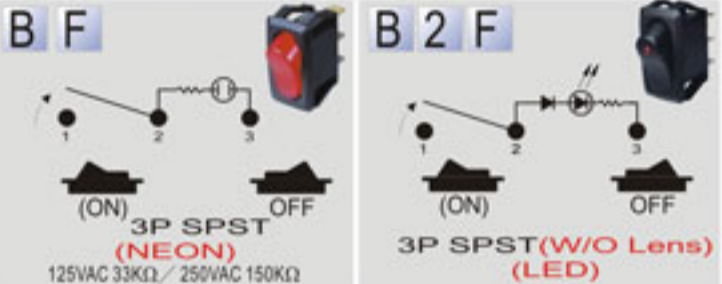


Terminal	X	Y
0.75-2.5	27.6-0.1	13.8-0.1
2.50-3.5	27.8-0.1	13.8-0.1
3.50-4.5	28.0-0.1	13.8-0.1

Illuminated / Different button (帶燈/按鈕不同)



Momentary / Illuminated / Different button (彈回/帶燈/按鈕不同)



Momentary (彈回)



ROCKER



Waterproof (防水)

