

RSF40 Series

Compact Internal Fitting



- **Compact design**
- **Flying Lead or M12 plug connection**
- **Available in Nylon, Polypropylene, PPS or PVDF**
- **25VA & 100VA versions**
- **Many variants are UL recognised components File No. E171218**
- **WRAS and NSF Approved versions available**

| Technical Specification | RSF43 | RSF44 | RSF48 | RSF46 | RSF47 |
|-------------------------|-----------|--------------------------------|------------------------------|---------------------------------|-----------------------------------|
| Material | Nylon | Polypropylene WRAS approved | Polypropylene UL approved | Polyphenylene Sulphide (PPS) | Polyvinylidene Fluoride (PVDF) |
| Colour | Black | Opaque | White | Grey | Green |
| Temp. Range °C | -20 / +75 | -20 / +100 | -20 / +100 | -10 / +120 * | -10 / +105 |
| °F | -4 / +167 | -4 / +212 | -4 / +212 | +14 / +248 * | +14 / +221 |
| Min. Fluid SG | 0.85 | 0.85 | 0.80 | 0.85 | 0.85 |
| Must close level (SG=1) | 7mm | 8mm | 8mm | 9mm | 9mm |
| Must open level (SG=1) | 20mm | 20mm | 20mm | 24mm | 24mm |

* Maximum temperature requires ETFE cable to be specified.

| Electrical Specification | 25W (Y code) | 100W (H code) |
|--------------------------|--------------|---------------|
| Contact Form | N/O (N/C) | N/O (N/C) |
| Switching Power Max | VA | 100 |
| Switching Voltage AC Max | V | 300 |
| Switching Voltage DC Max | V | 300 |
| Switching Current Max | A | 1 |

All ratings are for resistive load only.

| Standard Parts | Material | Max Power | Leadouts | Gasket | Approvals |
|----------------|----------|-----------|--------------------|---------|----------------|
| RSF43H100RF | Nylon | 100VA | 100cm PVC 16/0.2 | Nitrile | WRAS |
| RSF43Y100RF | Nylon | 25VA | 100cm PVC 16/0.2 | Nitrile | WRAS |
| RSF44H100RF | PP | 100VA | 100cm PVC 16/0.2 | Nitrile | WRAS & NSF |
| RSF44Y100RF | PP | 25VA | 100cm PVC 16/0.2 | Nitrile | WRAS & NSF |
| RSF46H050TG | PPS | 100VA | 50cm ETFE 19/0.2 | Viton | UL & NSF |
| RSF46H100RF | PPS | 25VA | 100cm PVC 16/0.2 | Nitrile | WRAS, UL & NSF |
| RSF46Y050TG | PPS | 25VA | 50cm ETFE 19/0.2 | Viton | UL & NSF |
| RSF46Y100TG | PPS | 100VA | 100 cm ETFE 19/0.2 | Viton | UL & NSF |
| RSF46Y100RF | PPS | 25VA | 100cm PVC 16/0.2 | Nitrile | WRAS, UL & NSF |
| RSF47Y100GF | PVDF | 25VA | 100cm PTFE 7/0.2 | Nitrile | UL & NSF |
| RSF47H100GF | PVDF | 100VA | 100cm PTFE 7/0.2 | Nitrile | UL & NSF |
| RSF47Y100GG | PVDF | 25VA | 100cm PTFE 7/0.2 | Viton | UL & NSF |
| RSF47H100GG | PVDF | 100VA | 100cm PTFE 7/0.2 | Viton | UL & NSF |
| RSF48H100RF | PP (UL) | 100VA | 100cm PVC 16/0.2 | Nitrile | UL |
| RSF48Y100RF | PP (UL) | 25VA | 100cm PVC 16/0.2 | Nitrile | UL |
| RSF43HFP | Nylon | 100VA | M12 connector | Nitrile | WRAS |
| RSF43YFP | Nylon | 25VA | M12 connector | Nitrile | WRAS |
| RSF44HFP | PP | 100VA | M12 connector | Nitrile | WRAS & NSF |
| RSF44YFP | PP | 25VA | M12 connector | Nitrile | WRAS & NSF |
| RSF46HFP | PPS | 100VA | M12 connector | Nitrile | WRAS, UL & NSF |
| RSF46YFP | PPS | 25VA | M12 connector | Nitrile | WRAS, UL & NSF |
| RSF47YFP | PVDF | 25VA | M12 connector | Nitrile | UL & NSF |
| RSF47HFP | PVDF | 100VA | M12 connector | Nitrile | UL & NSF |
| RSF47YGP | PVDF | 25VA | M12 connector | Viton | UL & NSF |
| RSF47HGP | PVDF | 100VA | M12 connector | Viton | UL & NSF |
| RSF48HFP | PP (UL) | 100VA | M12 connector | Nitrile | UL |
| RSF48YFP | PP (UL) | 25VA | M12 connector | Nitrile | UL |

The RSF40 series is designed as a compact internal fitting device, with a wide range of options, making this ideal for size sensitive applications. Mounting of this series requires access to the inside of the tank.

Typical applications include vending machines, commercial washing machines and evaporator units.

They are manufactured in a variety of materials with a choice of gasket materials, to suit most commonly used liquids.

The switch action may be reversed by rotating the device through 180°.

Available with flying leads or M12 socket for electrical connection. Cable sets with M12 plugs are also available.

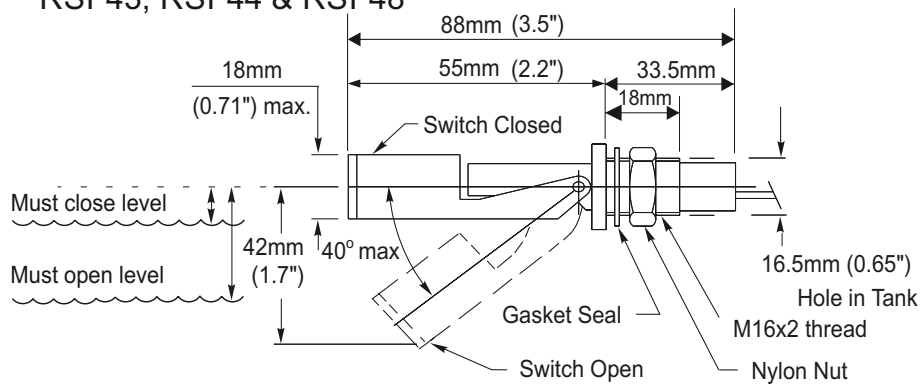
Custom versions can be made for particular applications.

RSF40 Series

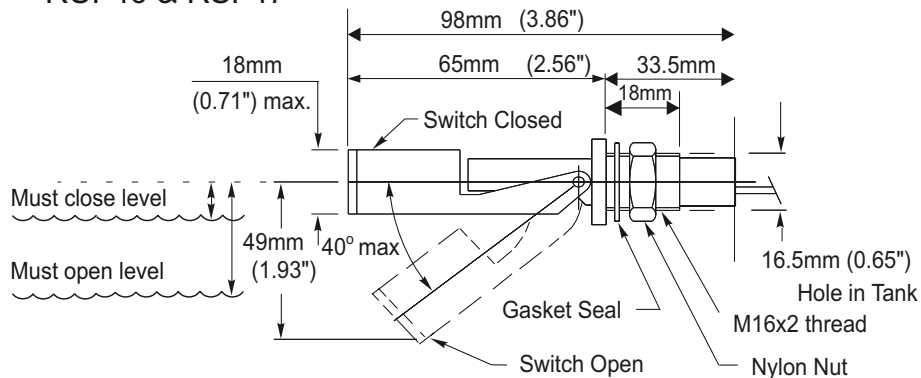
Compact Internal Fitting

Mechanical Dimensions

RSF43, RSF44 & RSF48



RSF46 & RSF47



Electrical Connections

