

4

3

2

1

THIS DRAWING IS UNPUBLISHED.

RELEASED FOR PUBLICATION

20

LOC

DIST

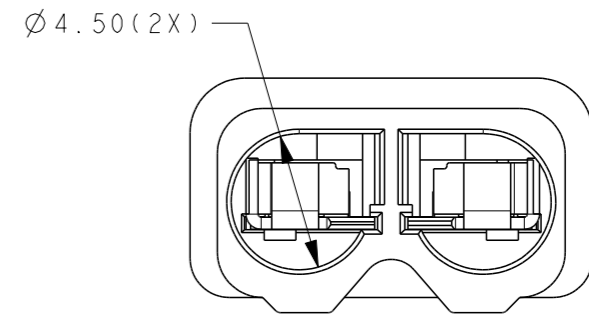
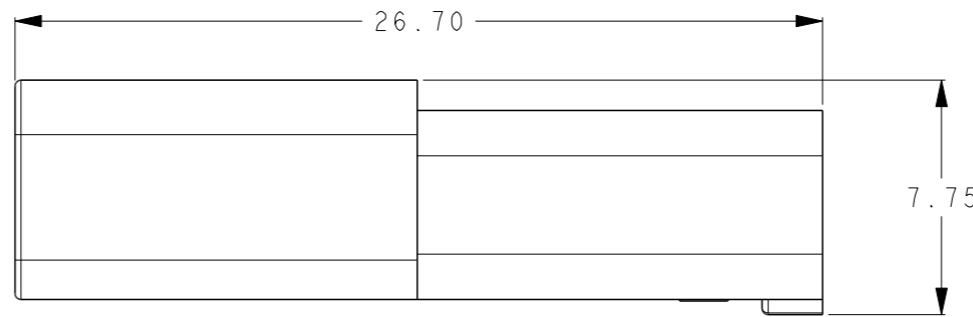
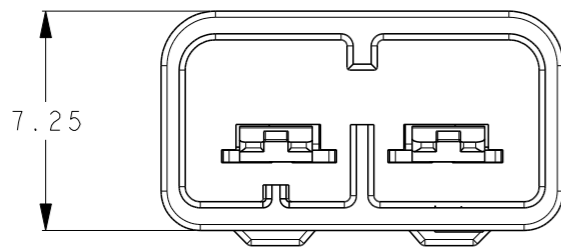
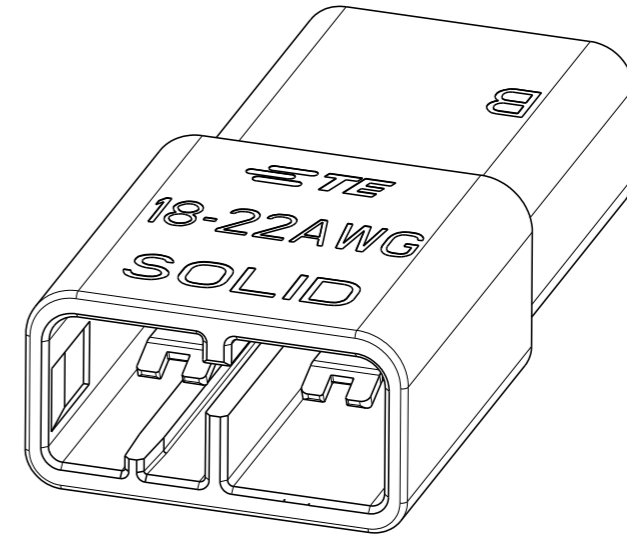
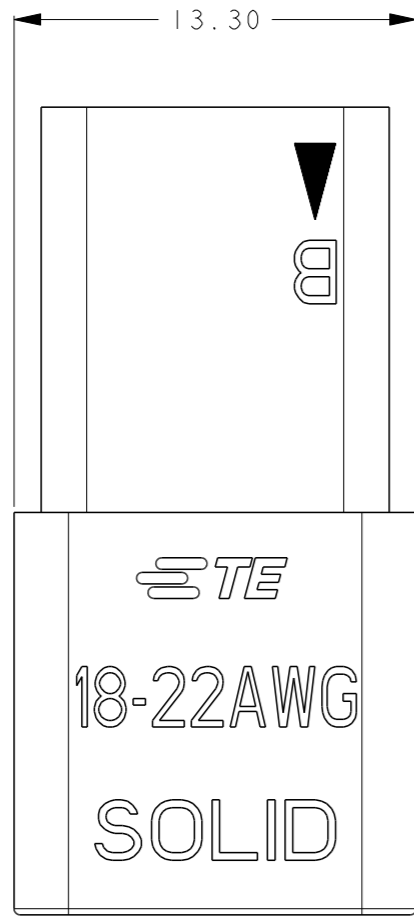
REVISIONS

© COPYRIGHT 20

ALL RIGHTS RESERVED.

ES

P	LTR	DESCRIPTION	DATE	DWN	APVD
	A4	MARK CHANGE	14MAY2015	M.S	X.X
	A5	ADD PN	13OCT2015	M.S	X.X
	B	ECR-16-007582	01JUN2016	M.S	X.X
	C	ECR-18-020006	03APR2019	M.S	M.S



PART NUMBER	PART COLOR
2271183-1	ORANGE
2271183-2	BLACK
2271183-3	WHITE (NATURAL)

NOTES:

- 1. TE PART NUMBER: SEE TABLE.
- 2. MATERIAL: TERMINAL: COPPER ALLOY. HOUSING: NYLON, UL 94-V0. COLOR: ORANGE.
- 3. FINISH: TERMINAL: TIN PLATING OVERALL.
- 4. APPLICABLE WIRE: AWG18-22 SOLID OR TIN DIPPED STRANDED. (16 STRANDS MAX. FOR 18 AWG, 7 STRANDS MAX FOR 20-22 AWG. SEE RELATED APPLICATION SPECIFICATION AND PRODUCT SPECIFICATION) STRIP LENGTH: 9.0-9.6mm.
- 5. APPLICABLE MATING PLUG: 2271180 SERIES.
- 6. PRODUCT COMPLIES TO UL 2459 REQUIREMENT AND QUALIFIED: ZMNA.E308110 ; ZMNA7.E308110

THIS DRAWING IS A CONTROLLED DOCUMENT.

DIMENSIONS:	TOLERANCES UNLESS OTHERWISE SPECIFIED:
mm	± 0.5
	0-PLC ±
	1-PLC ±
	2-PLC ±
	3-PLC ±
	4-PLC ±
	ANGLES ± 5°
MATERIAL	FINISH
2	3

DWN	18DEC2013
SHI MING	
CHK	18DEC2013
XU XIANG	
APVD	18DEC2013
XU XIANG	
PRODUCT SPEC	108-137020
APPLICATION SPEC	114-137020
WEIGHT	1.82 g
CUSTOMER DRAWING	

TE TE Connectivity

NAME		2 PINS WIRE TO WIRE CONNECTOR RECEPTACLE	
SIZE	CAGE CODE	DRAWING NO	RESTRICTED TO
A300779	C-2271183		-
SCALE 4:1		SHEET 1 OF 3	REV C

D

C

B

A

4

3

2

1

THIS DRAWING IS UNPUBLISHED.

RELEASED FOR PUBLICATION

20

© COPYRIGHT 20

ALL RIGHTS RESERVED.

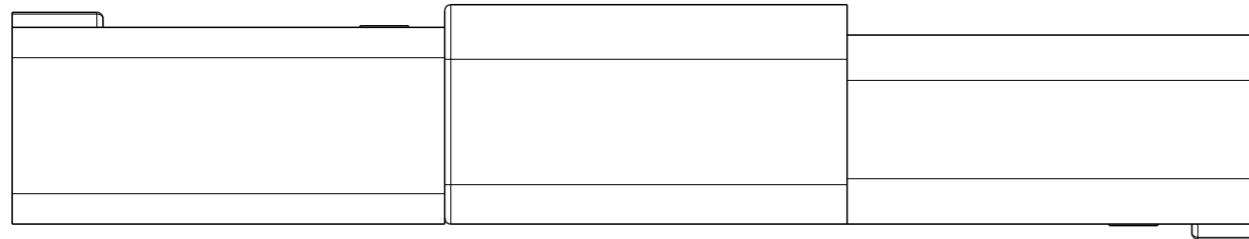
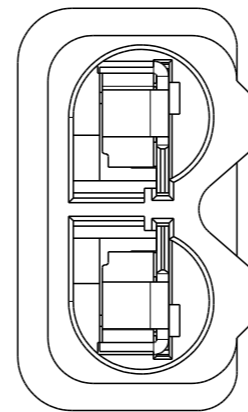
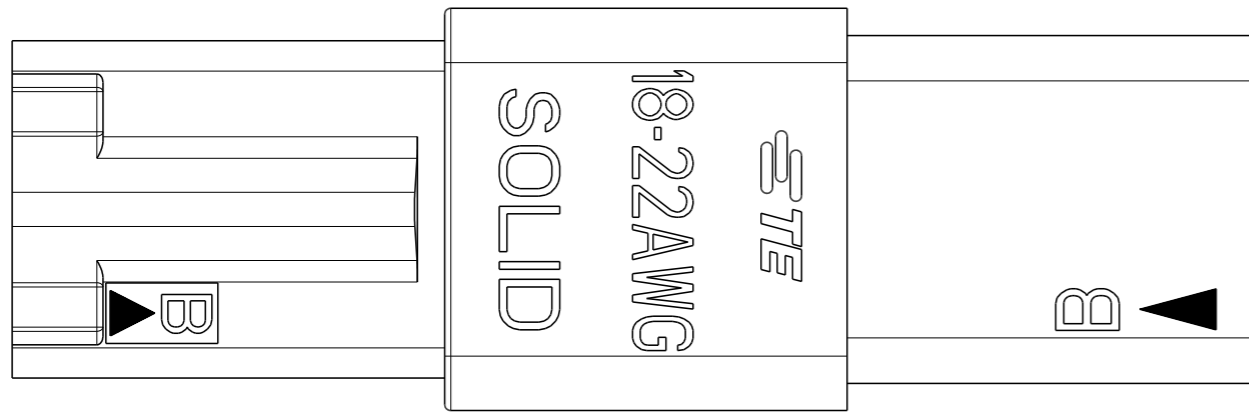
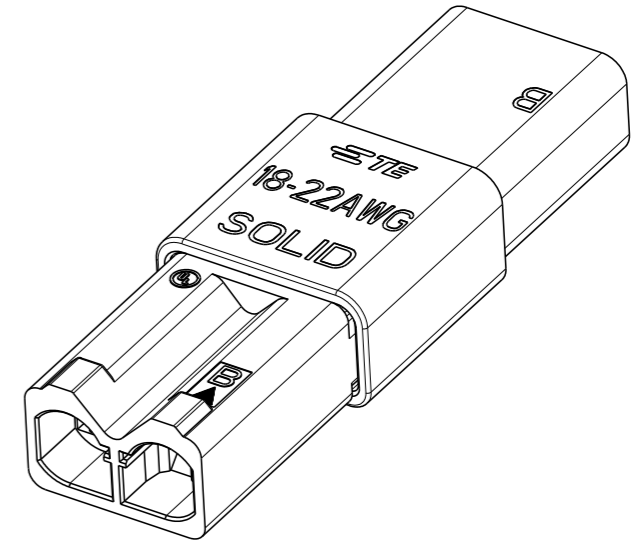
LOC
ES

DIST

REVISIONS

P	LTR	DESCRIPTION	DATE	DWN	APVD

MATED WITH PLUG



THIS DRAWING IS A CONTROLLED DOCUMENT.

DWN 18DEC2013

CHK SHI MING 18DEC2013

APVD XU XIANG 18DEC2013

APVD XU XIANG 18DEC2013

PRODUCT SPEC -

APPLICATION SPEC -

WEIGHT -



NAME
2 PINS WIRE TO WIRE CONNECTOR RECEPTACLE

SIZE CAGE CODE DRAWING NO RESTRICTED TO

A300779C-2271183 -

DIMENSIONS:	TOLERANCES UNLESS OTHERWISE SPECIFIED:
mm	±0.5
	0-PLC ±
	1-PLC ±
	2-PLC ±
	3-PLC ±
	4-PLC ±
ANGLES	±5°

MATERIAL FINISH

CUSTOMER DRAWING SCALE 4:1 SHEET 2 OF 3 REV C

THIS DRAWING IS UNPUBLISHED.

RELEASED FOR PUBLICATION

20

© COPYRIGHT 20

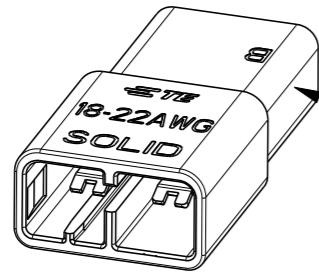
ALL RIGHTS RESERVED.

LOC
ES

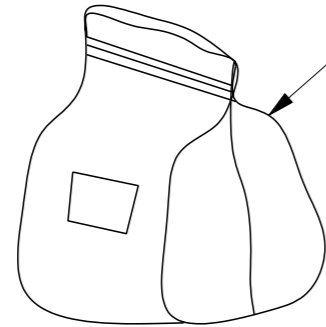
DIST

REVISIONS

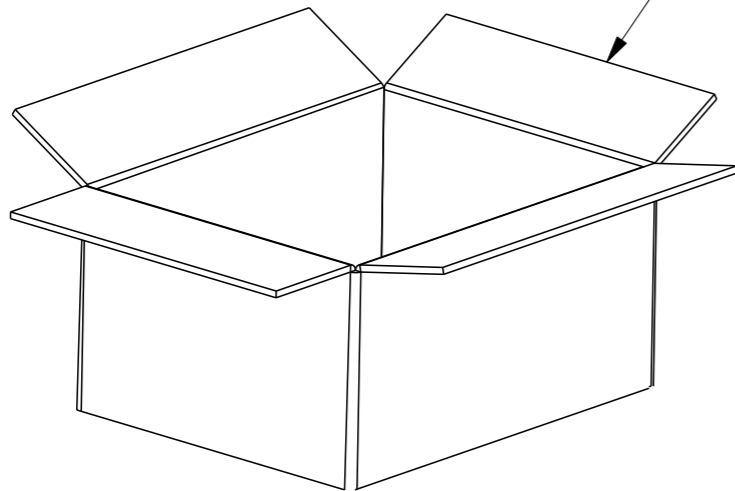
P	LTR	DESCRIPTION	DATE	DWN	APVD



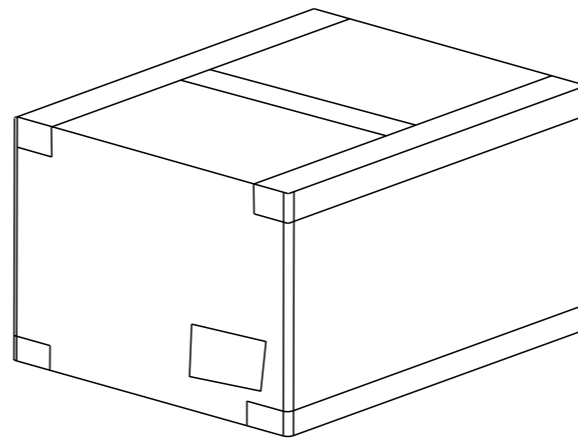
2271183-X



PLASTIC BAG



CARTON



NOTE:
1. PACKAGING QUANTITY: SEE TABLE.

PARTS PER BAG	BAGS PER CARTON	PARTS PER CARTON
500 PCS	8	4000 PCS

THIS DRAWING IS A CONTROLLED DOCUMENT.

DWN 18DEC2013

CHK SHI MING 18DEC2013

APVD XU XIANG 18DEC2013

PRODUCT SPEC

APPLICATION SPEC

WEIGHT

CUSTOMER DRAWING



TE Connectivity

NAME
2 PINS WIRE TO WIRE CONNECTOR RECEPTACLE

SIZE CAGE CODE DRAWING NO RESTRICTED TO

A300779C-2271183

SCALE 4:1 SHEET 3 OF 3 REV C

DIMENSIONS:
mm



TOLERANCES UNLESS OTHERWISE SPECIFIED:

0 PLC	±
1 PLC	±10.0
2 PLC	±5.0
3 PLC	±
4 PLC	±
ANGLES	±5°

MATERIAL

FINISH