

4

3

2

1

THIS DRAWING IS UNPUBLISHED.

RELEASED FOR PUBLICATION

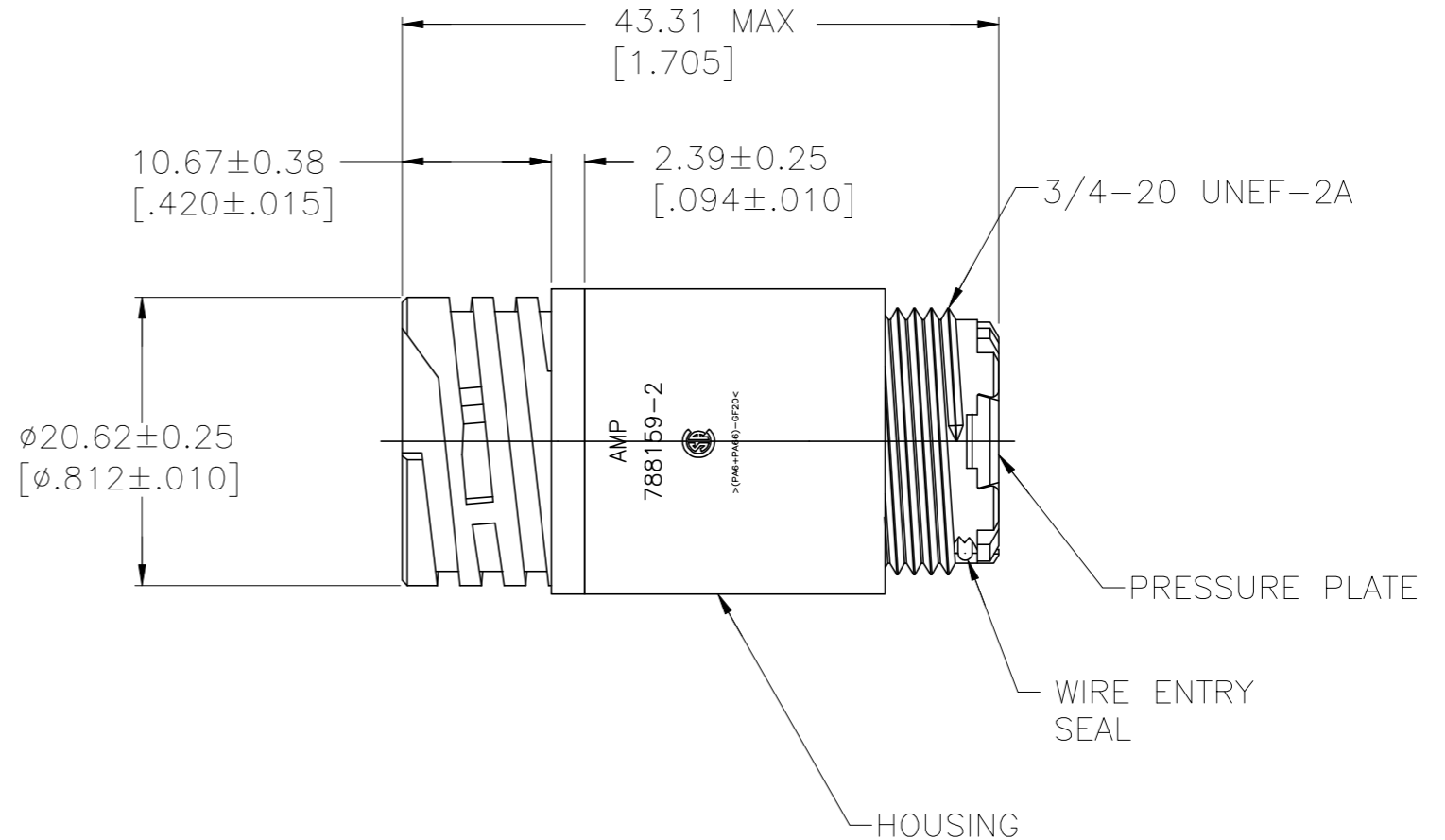
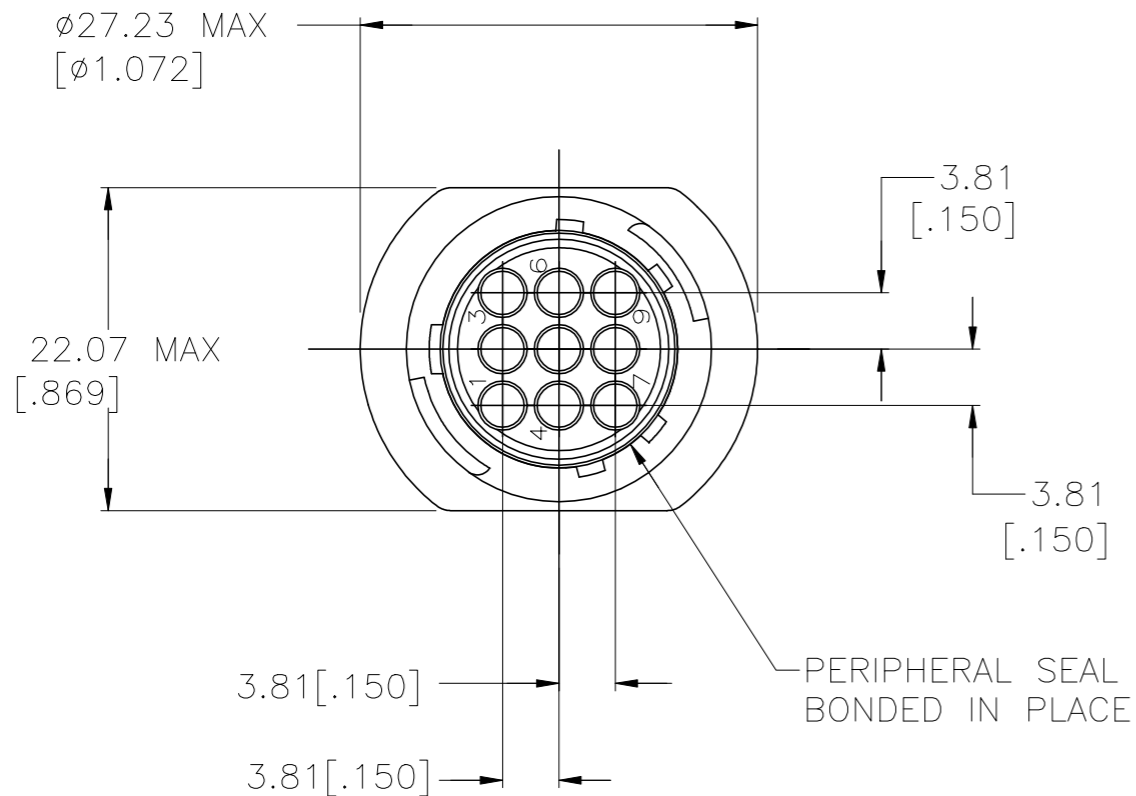
---

REVISIONS

© COPYRIGHT - By -

ALL RIGHTS RESERVED.

P	LTR	DESCRIPTION	DATE	DWN	APVD
	A1	REVISED PER ECO-11-005027	11MAR11	RK	HMR
	B	REVISED PER ECO-16-006378	03NOV2016	RS	MZ
	C	REVISED PER ECO-19-011232	06AUG2019	RS	MZ



1 THIS PART WILL ACCEPT NINE (9) MULTIMATE PIN CONTACTS.

2 HOUSING AND PRESSURE PLATE: NYLON, BLACK.  
 PERIPHERAL SEAL: ELASTOMER, BLACK.  
 WIRE ENTRY SEAL: ELASTOMER, RED-IRON OXIDE.

.065-.100	STANDARD	788159-2
.040-.080	SMALL	788159-1
WIRE INSULATION DIAMETER RANGE	INSULATION	PART NUMBER

THIS DRAWING IS A CONTROLLED DOCUMENT.		DWN C.DORWART 25 AUG 98	<b>STE</b> TE Connectivity															
		CHK R.WALTER 25 AUG 98																
DIMENSIONS: mm [INCHES]		APVD R.WALTER 25 AUG 98	NAME															
TOLERANCES UNLESS OTHERWISE SPECIFIED:		PRODUCT SPEC	RCPT ASSY, 13-9, STD SEX, SERIES I, SEALED, CIRCULAR PLASTIC CONNECTOR															
<table border="0"> <tr><td>0 PLC</td><td>± -</td></tr> <tr><td>1 PLC</td><td>± -</td></tr> <tr><td>2 PLC</td><td>± 0.13 [.005]</td></tr> <tr><td>3 PLC</td><td>± -</td></tr> <tr><td>4 PLC</td><td>± -</td></tr> <tr><td>ANGLES</td><td>± -</td></tr> </table>		0 PLC	± -	1 PLC	± -	2 PLC	± 0.13 [.005]	3 PLC	± -	4 PLC	± -	ANGLES	± -	APPLICATION SPEC	SIZE	CAGE CODE	DRAWING NO	RESTRICTED TO
0 PLC	± -																	
1 PLC	± -																	
2 PLC	± 0.13 [.005]																	
3 PLC	± -																	
4 PLC	± -																	
ANGLES	± -																	
MATERIAL		WEIGHT	A3	00779	C=788159	-												
FINISH		CUSTOMER DRAWING		SCALE	SHEET	REV												
				2:1	1 OF 1	C												