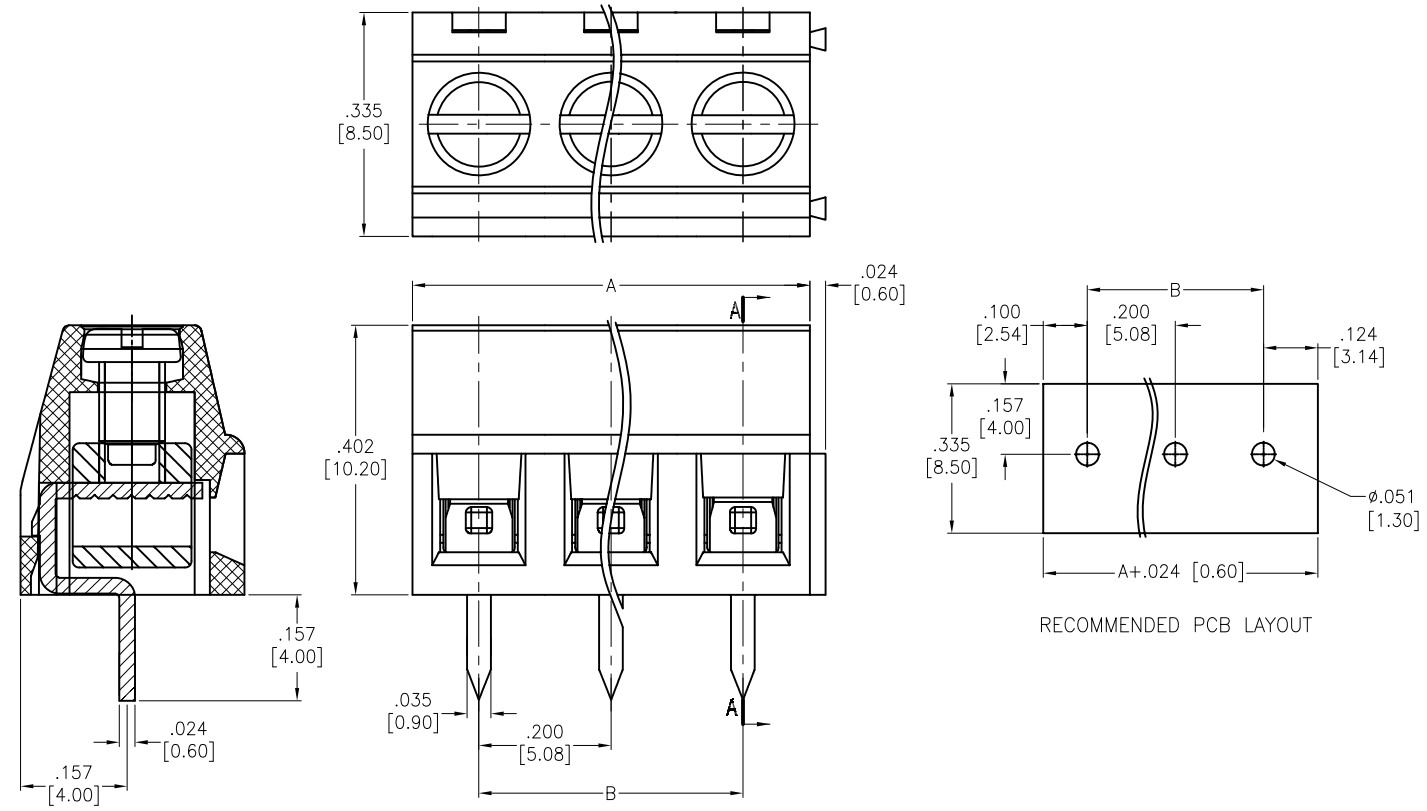


APPROVED: _____
 DATE: _____ TITLE: _____

Rev	AWO #	Description	Date	Appr
-		RELEASED	1/17/14	
A		REVISED SHAPE	6/26/14	AY/SY



SPECIFICATIONS:
 Material:
 Insulator: PA66, rated UL 94V-0
 Insulator color: Green
 Screw: M2.5, Steel, Zinc plated.
 Contact: Brass, Tin plated.
 Cage: Brass, Nickel plated.
 Electrical:
 Operation voltage: 300 VAC
 Current rating: 8 Amps
 Contact Resistance: 20 mohms max.
 Insulation resistance: 500 Mohms min @DC 1000V
 Dielectric withstanding voltage: 2000 VAC for 1 minut
 Mechanical:
 Torque: 0.4Nm(3.5lb-in)
 Wire Range: 26-16 AWG 1.5mm²
 Wire strip length: 6-7mm
 Environmental:
 Operating temperature: -40°C to +105°C
 Environmental:
 Lead free, RoHS compliant.



Poles: 2 thru 24
 A = .200 [5.08] X No. of Positions
 B = .200 [5.08] x No. of Spaces

UNLESS OTHERWISE SPECIFIED ALL DIMENSIONS ARE INCHES [MM] TOLERANCES: EXCEPT AS NOTED		ADAM TECH 909 Rahway Avenue, Union, NJ 07083 Phone: 908-687-5000 Fax: 908-687-5710			
INCHES HOLES					
.X ± .10	Ø.X ± .10	TITLE EURO BLOCK, .200 [5.08] PITCH			
.XX ± .020	Ø.XX ± .015				
.XXX ± .015	Ø.XXX ± .010				
APPROVALS		DATE	SIZE X	PART NO. EB21A-XX-D	REV. A
DRAWN	AY	1/17/14			
CHECKED	SY	1/17/14			
APPROVED			REF: S00067C	SCALE: NTS	SHEET 1 OF 1