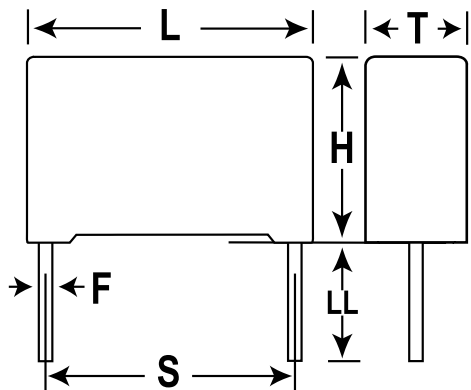


**KEMET Part Number: PHE845VZ6470MR30L2**  
 (F845FV474M760ALW0L, PHE845VZ6470MF16R30L2)

Capacitor, Film, Metallized Polypropylene, 0.47 uF, +/-20% Tol, -40/+105C, Safety: X1, 760 VAC, Lead Spacing=27.5 mm



General Information	
Supplier:	KEMET
Dielectric:	Metallized Polypropylene
Application:	Safety: X1
Style:	Radial Box
Lead Form:	Wire Leads
Features:	Pulse
Approvals:	ENEC,UL,cUL
RoHS:	Yes

Dimensions (mm)		
Symbol	Dimension	Tolerance
L	31.5	MAX
H	30	MAX
T	21	MAX
S	27.5	+/-0.4
LL	30	-1
F	0.8	NOM

Specifications	
Capacitance:	0.47 uF
Voltage:	1500 VDC
Tolerance:	+/-20%
Voltage AC:	760 VAC
Rated Temperature:	105C
Temperature Range:	-40/+105C
Dissipation Factor @ 1 kHz:	0.1%
Dissipation Factor @ 10 kHz:	0.4%
Insulation Resistance:	21.28 GOhm
Maximum dVdT:	100 v/us

Packaging Specifications	
Package Kind:	Bulk
Package Type:	Tray
Package Quantity:	108