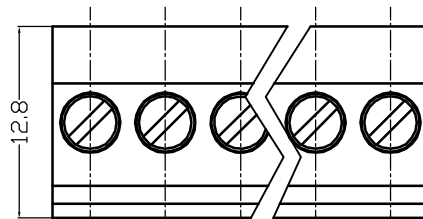
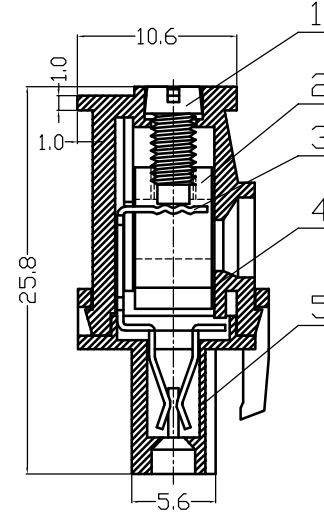
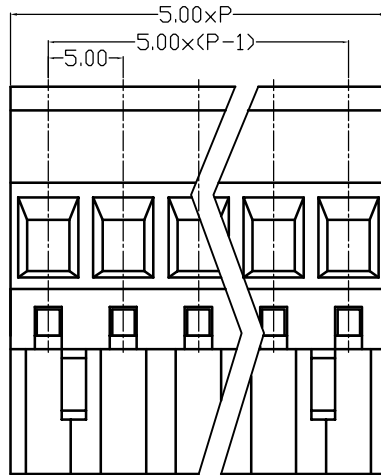


序号/RevNo.	名称/Title	文件编号/File No.
1	XY2500F螺丝(B)	
2	XY2500F铜方块(B)	
3	XY2500F簧片(B)	
4	XY2500FAV塑件主体	
5	XY2500FA塑件后盖	



300V 15A 2.5mm<sup>2</sup>

Poles: 2-24P

Pitch: 5.0mm

## Materials

Housing: Polyamide 6.6, Green

Clamp: Phosphor Bronze, 0.4t, Tin Plated.

Wire Cage: Brass, Nickel Plated.

Screw: M2.5, Steel, Zinc Plated.

设计/Designed by	绘图/Drawing by	审核/Checked by	批准/Approved by	未注公差 General Tolerance	
 XINYA ELECTRONIC CO., LTD		图名/Title	文件编号/File No.	.x. ±0.2	x.' ±2'
		XY2500FAV 产品图		.x ±0.1	.x' ±1'
备注/Remark		页序/Sheet		.xx ±0.05	.xx' ±0.5'
			单位/Units:	mm	

序号/RevNo.	更改记录/Revision note	签名/Signature	日期/Date