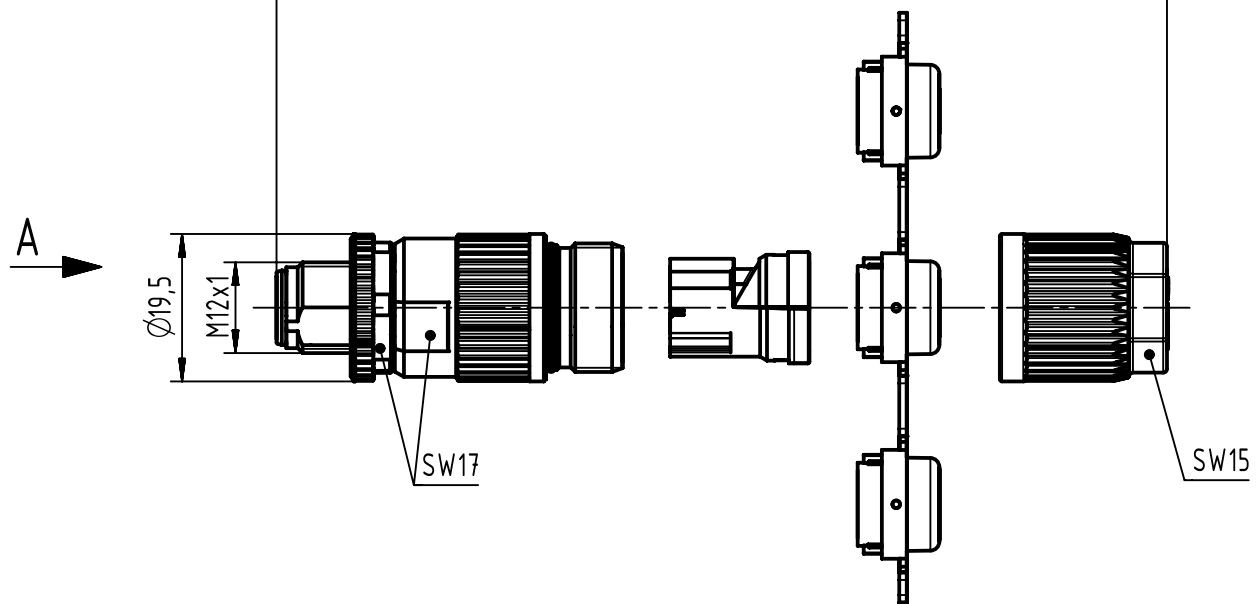
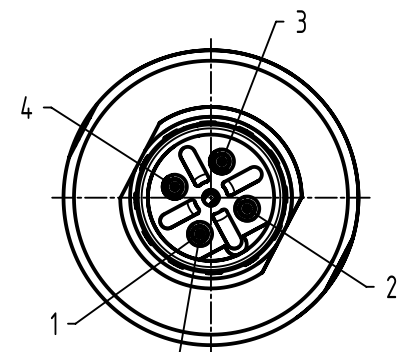


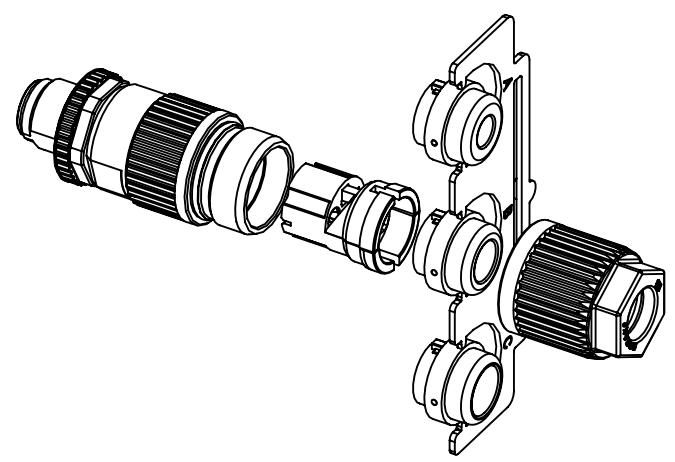
complete length when assembled app. 58mm




A (2:1)



contact face acc. to IEC 61076-2-101



conductor cross section	0,34mm ² AWG22
cable outside diameter	4,5 - 8,8mm

 All rights reserved Department EL PD HARTING Electronics GmbH D-32339 Espelkamp	All Dimensions in mm Original Size DIN A4	Scale 1:1	Free size tol.		Ref. Sub.
	Created by DYCKC	Inspected by HARLASS	Standardisation HOFFMANN	Date 2018-06-11	State Final Release
Title HARTING M12-L male shielded 2-pole B-coded				Doc-Key / ECM-Nr. 100195414/UGD/002/J 500000130647	
Type TB		Number 21032411301		Rev. J	Page 1/1