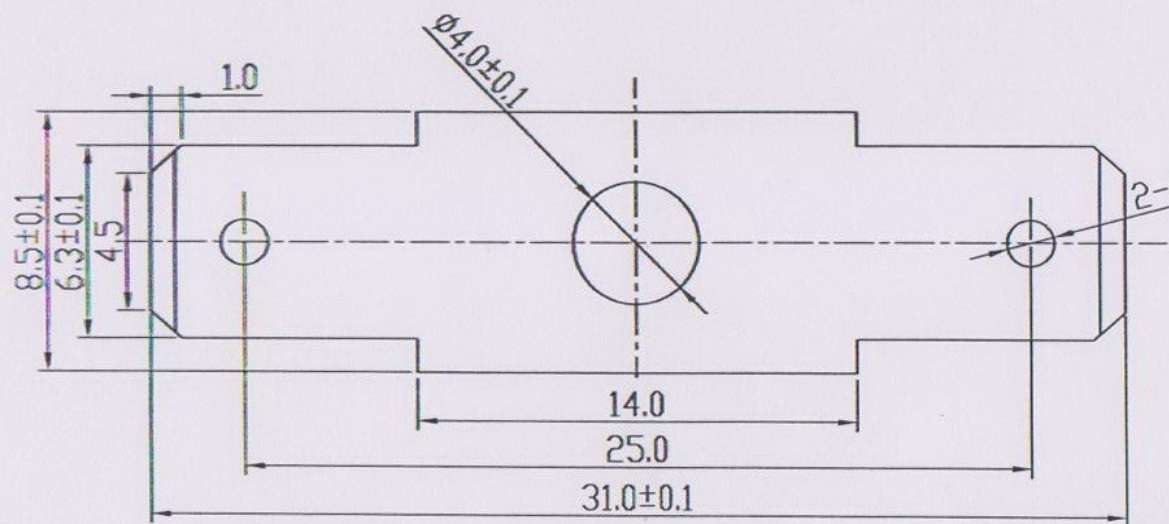
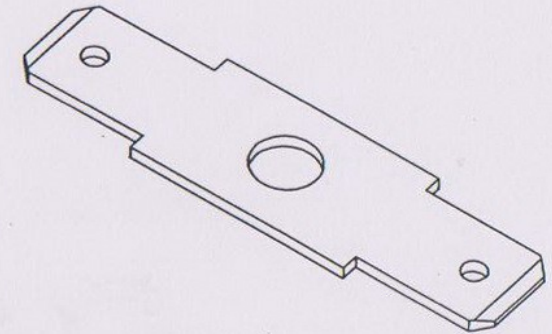
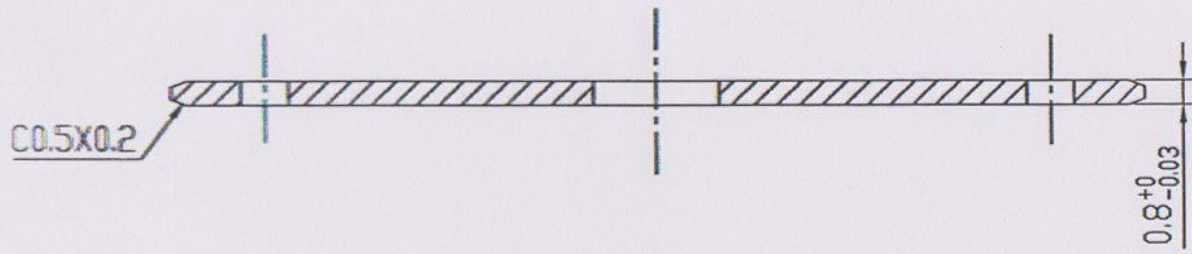


REVISION RECORD				
REV	ECD	DESCRIPTION	DRFT	DATE



- Notes:
1. Material: H62 H/2, T=0.8mm;
 2. Plating: Cu plated at the bottom is more than 2um; Ni plated on the surface is more than 2um; Sn plated at the bottom is more than 4um;
 3. Undimensioned Tolerances:

Pitch range in mm		Nominal dimension range in mm						
to	over	to	over	to	over			
6	6 to 10	24	30 to 60	60 to 100	100 to 150	∩		
±0.10	±0.15	±0.25	±0.2	±0.3	±0.5	±0.7	±1.0	0.05/10



1	K3	C0310	H62	SnCe	
ITEM	NAME OF PART	NO. OF PART	Q'TY	MATERIAL	NOTES
MM (INCH)		DFTD YHG CHKD <i>WY</i> MFD	DATE 11/1/08* DATE 10-20-08* DATE	宁波高正电子有限公司 DEGSON ELECTRONICS CO., LTD	
TOLERANCES EXCEPT AS NOTED: .04 ± * .00 ± * .000 ± *		APPVL <i>Huang</i> DATE 01/30/08* MATERIAL:	NAME K3-00A (H)		
ANGLES ± °		G.E :	DRAWING NO. K3-E01 /PART NO.		
THIRD ANGLE PROJECTION		FINISH:	SCALE 1:1 DO NOT SCALE DRAWING		SIZE A4 REV TO 11/22/07
SHEET 1			OF 1		