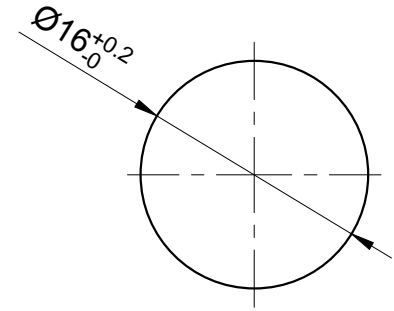
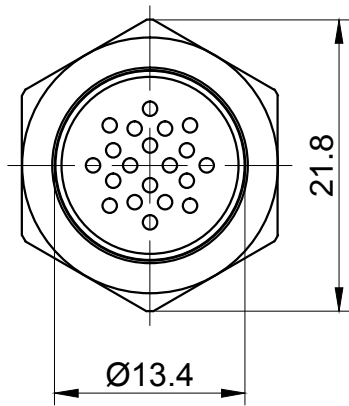
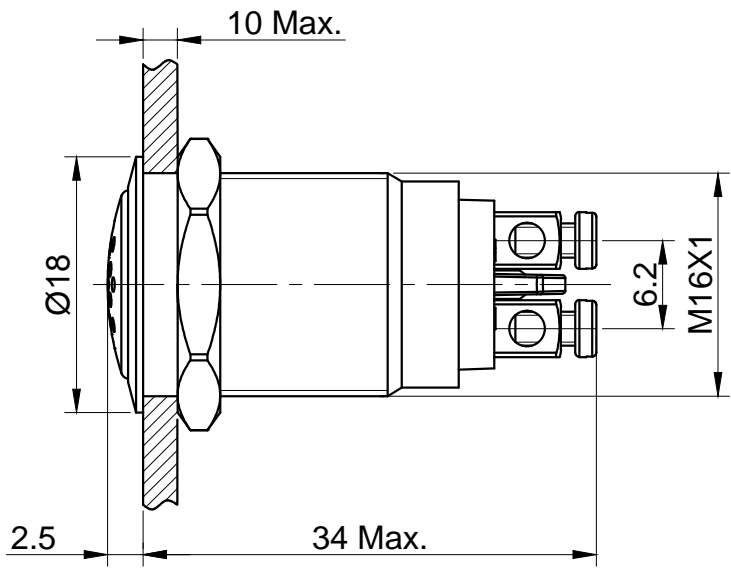
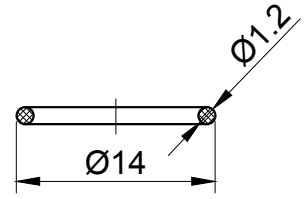


1 2 3 4 5 6 7

FOR 客户名称	APPROVED 客户确认签字	ATTN 销售负责人



PANEL CUTOUT
MAX.PANEL THICKNESS
10 mm



Seal Ring

Part Number:GQ16B-□/▲

□	Buzzer Mode	▲	Rated Voltage
M	Buzzer	12V	DC 12V
JM	Intermittent buzzer	24V	DC 24V

SPECIFICATIONS:

- 1.Life: About 40,000 hours.
- 2.Operating Temperature: -25°C ~ +55°C.
- 3.Relative air humidity: ≤98%.
- 4.Height above sea level: ≤2000m.
- 5.Vibration strength: 50~60Hz.
- 6.Rated Operating Current: ≤30mA.
- 7.IP Class: IP40.
- 8.Sound intensity: ≥85dB(0.1m)≥75dB(1m).

MATERIALS:

- 1.Head: Stainless Steel.
- 2.Body: Stainless Steel.
- 3.Base: PBT.

BRAND 品牌 ONPOW	红波按钮制造有限公司 ONPOW PUSH BUTTON MANUFACTURE CO.,LTD.			
	USED 用途	APPD 审核 CH	2020/04/30	
FINISH 处理	CHKD 校对 NCH	2020/04/30		
SCALE 比例 1.8 / 1	UNIT 单位 mm	DR. 制图 ZPD	2020/04/30	
DIMENSIONS 0.00 TO 18.00mm 18.01 TO 30.00mm 30.01 TO 50.00mm 50.01 TO 80.00mm	TOLERANCE ±0.43mm ±0.52mm ±0.62mm ±0.74mm	TITLE 名称 GQ16 Series Buzzer	④	
DWG NO. 图号 GQ16B-蜂鸣器不带灯		SIZE 图纸 A4	E	
FILE NAME 档案名称 GQ16B-蜂鸣器.DWG	SHEET 张 1 / 1	REV. 更改 1	1	

1 2 3 4 5 6 7