



FTTH Surface Mount Box, 4 Ports

Art no.: FB1002

Technical Features

For 4 SC-Simplex or 4 LC-Duplex Coupler

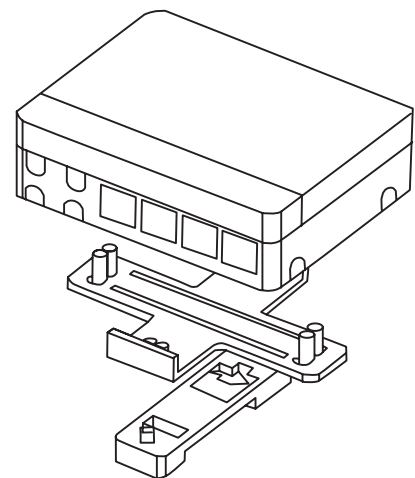
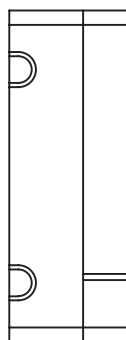
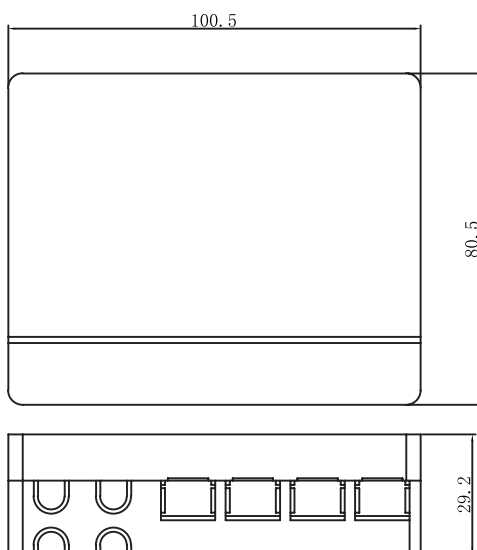
Capacity: Max. 8 cores

Dimension: 100.5 x 80.5 x 29.2 mm

With DIN rail bracket

Color: RAL9003 White

Technical Drawings



FB1002



4 052792 052886

Made in China

www.logilink.com



* The specifications and pictures are subject to change without notice.
*All trade names referenced are the registered trademark of their respective owners.

Package Content

FTTH Surface Mount Box, 4 Ports x1

Packaging Information

Packing Dimension	170 x 120 x 30mm
Packing Weight	0.075kg
Carton Dimension	450 x 250 x 250mm
Carton Q'ty	50pcs
Carton Weight	5.46kg



FB1002



4 052792 052886

Made in China

www.logilink.com



* The specifications and pictures are subject to change without notice.
*All trade names referenced are the registered trademark of their respective owners.