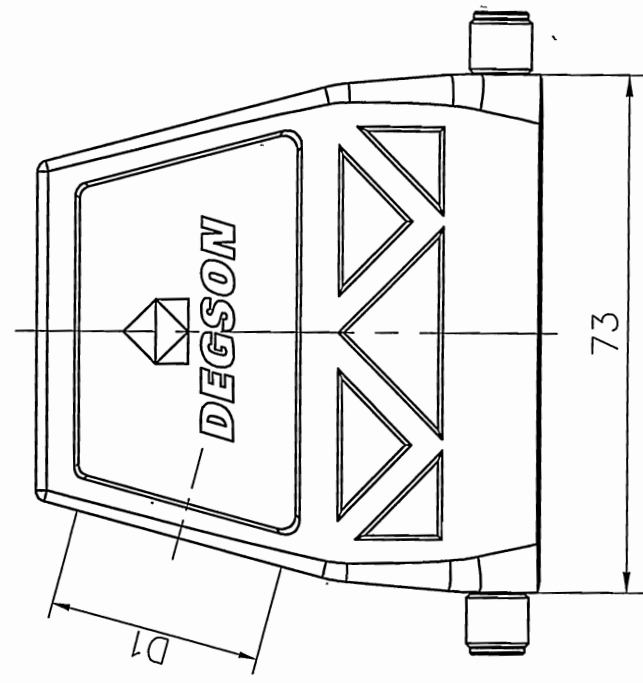
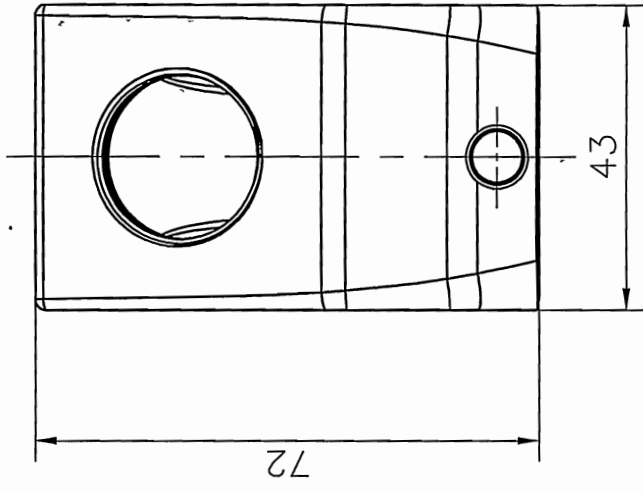
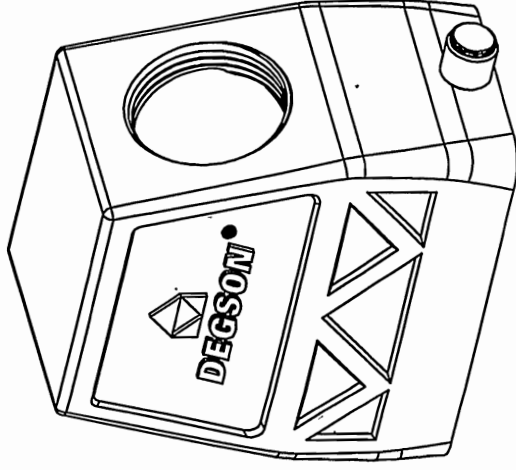


REVISION RECORD				
REV	ECN	DESCRIPTION	DRFT	DATE

TYPE	Thread(D1)	Selection
D10B-SEH-2g-M25	M25	
D10B-SEH-2g-M32	M32	
D10B-SEH-2g-PG21	PG21	
D10B-SEH-2g-PG29	PG29	



**Hoods Feature**

1. Material: aluminium die-cast
2. Surface: Powder-coated
3. Color: grey (RAL 7037)
4. Limiting temperatures: -40°C ~ +125°C
5. Flammability acc to UL94:V0
6. Degree of protection acc.to EN60529 for coupled connector :IP65
7. Rohs compliance

PART NO: /	NINGBO DEGSON ELECTRICAL CO., LTD
APPD: <i>WIS 2017.7.2</i>	NAME: D10B-SEH-2g-M/PG
CHKD: <i>CHK 2017.7.1</i>	TITLE: CUSTOMER DRAWING
DRFT: Mr.yang 2017/06/28	DRAWING NO: REV DO-1
THIRD ANGLE PROJECTION	SHEET 1/1
DO NOT SCALE	SCALE 1:1