



EN Operating instructions. pages 1 to 6
Original

Content

1 About this document

1.1 Function 1

1.2 Target group: authorised qualified personnel. 1

1.3 Explanation of the symbols used 1

1.4 Appropriate use 1

1.5 General safety instructions 1

1.6 Warning about misuse 2

1.7 Exclusion of liability 2

2 Product description

2.1 Ordering code 2

2.2 Special versions. 2

2.3 Purpose 2

2.4 Technical data 2

2.5 Safety classification 2

3 Mounting

3.1 General mounting instructions 3

3.2 Dimensions 3

3.3 Axial misalignment. 3

3.4 Adjustment. 3

4 Electrical connection

4.1 General information for electrical connection. 4

4.2 Contact variants. 4

4.3 Connector plug. 4

5 Set-up and maintenance

5.1 Functional testing. 5

5.2 Maintenance 5

6 Disassembly and disposal

6.1 Disassembly. 5

6.2 Disposal 5

7 EU Declaration of conformity

1. About this document

1.1 Function

This operating instructions manual provides all the information you need for the mounting, set-up and commissioning to ensure the safe operation and disassembly of the safety switchgear. The operating instructions must be available in a legible condition and a complete version in the vicinity of the device.

1.2 Target group: authorised qualified personnel

All operations described in this operating instructions manual must be carried out by trained specialist personnel, authorised by the plant operator only.

Please make sure that you have read and understood these operating instructions and that you know all applicable legislations regarding occupational safety and accident prevention prior to installation and putting the component into operation.

The machine builder must carefully select the harmonised standards to be complied with as well as other technical specifications for the selection, mounting and integration of the components.

1.3 Explanation of the symbols used



Information, hint, note:

This symbol is used for identifying useful additional information.



Caution: Failure to comply with this warning notice could lead to failures or malfunctions.

Warning: Failure to comply with this warning notice could lead to physical injury and/or damage to the machine.

1.4 Appropriate use

The products described in these operating instructions are developed to execute safety-related functions as part of an entire plant or machine. It is the responsibility of the manufacturer of a machine or plant to ensure the correct functionality of the entire machine or plant.

The safety switchgear must be exclusively used in accordance with the versions listed below or for the applications authorised by the manufacturer. Detailed information regarding the range of applications can be found in the chapter "Product description".

1.5 General safety instructions

The user must observe the safety instructions in this operating instructions manual, the country specific installation standards as well as all prevailing safety regulations and accident prevention rules.



Further technical information can be found in the Schmersal catalogues or in the online catalogue on the Internet: www.schmersal.net.

The information contained in this operating instructions manual is provided without liability and is subject to technical modifications.

There are no residual risks, provided that the safety instructions as well as the instructions regarding mounting, commissioning, operation and maintenance are observed.

1.6 Warning about misuse



In case of improper use or manipulation of the safety switch-gear, personal hazards or damages to machinery or plant components cannot be excluded. The relevant requirements of the standard ISO 14119 must be observed.

1.7 Exclusion of liability

We shall accept no liability for damages and malfunctions resulting from defective mounting or failure to comply with this operating instructions manual. The manufacturer shall accept no liability for damages resulting from the use of unauthorised spare parts or accessories.

For safety reasons, invasive work on the device as well as arbitrary repairs, conversions and modifications to the device are strictly forbidden; the manufacturer shall accept no liability for damages resulting from such invasive work, arbitrary repairs, conversions and/or modifications to the device.

2. Product description

2.1 Ordering code

This operating instructions manual applies to the following types:

BNS 260-①②Z③-④-⑤-⑥

| No. | Option | Description |
|-----|-----------|--|
| ① | 11 02 | Safety contacts: 1 NO / 1 NC 2 NC |
| ② | /01 | Signalling contacts: No signalling contact 1 NC |
| ③ | G | Without LED With LED |
| ④ | ST LST | Connecting cable Connector plug M 8 Connecting cable with connector M8 |
| ⑤ | L R | Left hinged door Right hinged door |
| ⑥ | 2750 | Version with increased switching distance |

2.2 Special versions

For special versions, which are not listed in the order code below 2.1, these specifications apply accordingly, provided that they correspond to the standard version.

2.3 Purpose

The BNS 260 safety sensor is designed for application in safety circuits and is used for monitoring the position of movable safety guards to ISO 14119 and IEC 60947-5-3. To actuate the safety sensors, only the BPS 260-1 or BPS 260-2 actuators can be used.

The safety switches are used for applications, in which the hazardous situation is terminated without delay when the safety guard is opened.



The safety switchgears are classified according to ISO 14119 as type 4 switching devices.

Only the entire system consisting of the BNS 260 safety sensor and the BPS 260-1 or BPS 260-2 actuator and the safety-monitoring module (AES, SRB) meets the requirements of the standard IEC 60947-5-3.



The user must evaluate and design the safety chain in accordance with the relevant standards and the required safety level.



The entire concept of the control system, in which the safety component is integrated, must be validated to the relevant standards.

2.4 Technical data

| | |
|---|---|
| Standards: | IEC 60947-5-3,, BG-GS-ET-14 |
| Enclosure: | glass-fibre reinforced thermoplastic |
| Protection class: | IP67 to IEC 60529 |
| Execution of the electrical connection: | Connecting cable LIYY, Connector plug M8 or connecting cable with connector |
| Cable section of connecting cable: | |
| - without signalling contact: | 4 x 0.25 mm ² |
| - with signalling contact: | 6 x 0.25 mm ² |
| Version with integrated connector: | |
| - without signalling contact: | M8, 4-pole, with screw terminal or snap fitting; |
| - with signalling contact: | 8 mm, 6-pole, with snap fitting |
| Tightening torque for connectors: | max. 0.3 Nm |
| Operating principle: | magnetic |
| Actuator: | BPS 260-1, BPS 260-2, coded |
| Coding level according to ISO 14119: | low |
| Switching distances: | |
| - Assured switching distance s_{ao} : | 5 mm, 8 mm (ordering suffix -2750) |
| - Assured switch-off distance s_{ar} : | 15 mm, 18 mm (ordering suffix -2750) |
| Switching condition indication: | LED only with ordering suffix G |
| Rated insulation voltage U_i : | |
| - without LED: | 50 VAC / 75 VDC |
| - with LED: | 75 VDC |
| Rated impulse withstand voltage U_{imp} : | 0.8 kV |
| Switching voltage: | |
| - without LED: | max. 75 VDC |
| - with LED: | max. 24 VDC |
| - with 6-pole connector: | max. 30 V |
| Switching current: | |
| - without LED: | max. 400 mA |
| - with LED: | max. 10 mA |
| Switching capacity: | |
| - without LED: | max. 10 VA |
| - with LED: | max. 240 mW |
| Required short-circuit current: | 100 A |
| Ambient temperature: | -25 °C ... +70 °C |
| Storage and transport temperature: | -25 °C ... +70 °C |
| Max. switching frequency: | 5 Hz |
| Resistance to shock: | 30 g / 11 ms |
| Resistance to vibration: | 10 ... 55 Hz, amplitude 1 mm |



For use in NFPA 79 Applications.

Adapters providing field wiring means are available from the manufacturer. Refer to manufacturers information.

2.5 Safety classification

| | |
|---|--|
| Standards: | ISO 13849-1 |
| Safety contact: | |
| - NC / NC combination: | S11-S12 and S21-S22 |
| - NC / NO combination: | S21-S22 and S13-S14 |
| Intended structure: | |
| - 2-channel usage: | useable to cat. 4 / PL e with suitable logic unit |
| B_{10D} NC contacts at 20 % contact load: | 25.000.000 |
| B_{10D} NO contacts at 20 % contact load: | 25.000.000 |
| Service life: | 20 years |

$$MTTF_D = \frac{B_{10D}}{0,1 \times n_{op}} \quad n_{op} = \frac{d_{op} \times h_{op} \times 3600 \text{ s/h}}{t_{cycle}}$$

(Determined values can vary depending on the application-specific parameters h_{op} , d_{op} and t_{cycle} as well as the load.)

If multiple safety components are wired in series, the Performance Level to ISO 13849-1 will be reduced due to the restricted error detection under certain circumstances.

3. Mounting

3.1 General mounting instructions



During fitting, the requirements of ISO 14119 must be observed.

- Fitting is only authorised in a de-energised condition
- Do not use the sensor and the actuator as a mechanical backstop
- Any mounting position, provided that the active surfaces are opposite
- Do not subject the safety sensor and actuator to extreme vibrations and shocks.

To avoid any interference inherent to this kind of system and any reduction of the switching distances, please observe the following guidelines:

- Ensure the safety sensor is mounted on a flat surface
- Do not install the safety sensor and the actuator in strong magnetic fields
- If possible, do not mount the sensor and the actuator on ferromagnetic material. A non-magnetic spacer at least 5 mm thick or the original spacer must be used. The use of non-magnetic fixing screws is recommended also.
- Keep away from metal chips
- The mounting distance between two sensors should always be at least 50 mm

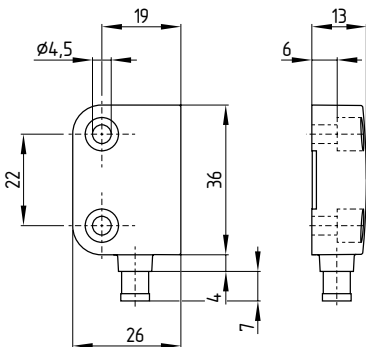


The actuator must be permanently fitted to the safety guards and protected against displacement by suitable measures (tamperproof screws, gluing, drilling of the screw heads).

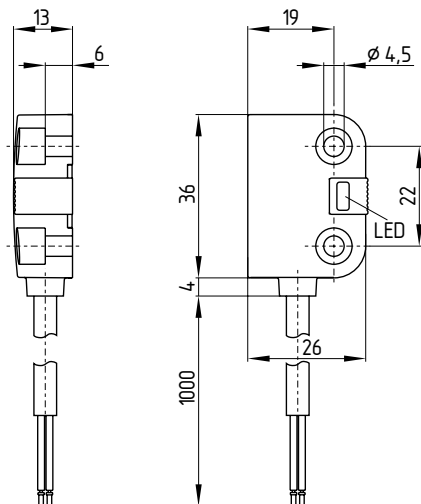
3.2 Dimensions

All measurements in mm.

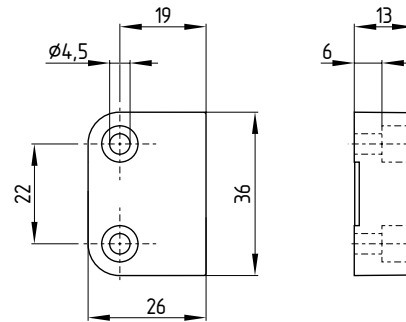
Sensor with connector, for right hinged door



Sensor with cable, for left hinged door



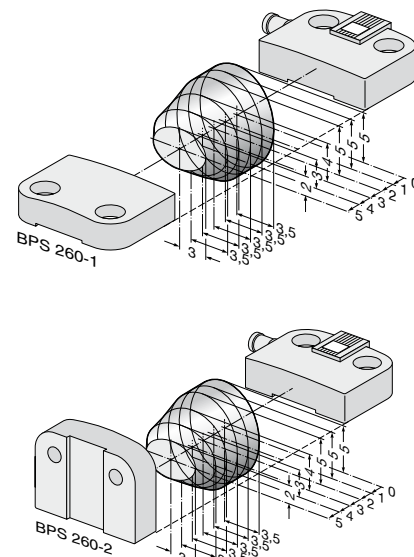
Actuator



3.3 Axial misalignment

A horizontal and vertical misalignment of the safety sensor and the actuator is tolerated. The possible misalignment depends on the distance of the active surfaces of the sensor and the actuator. The sensor remains active within the tolerance range.

The specified switching distances refer to oppositely mounted safety sensors and actuators.



- Assured switching distance: $s_{ao} = 5 \text{ mm}$
 8 mm (ordering suffix -2750)
- Assured switch-off distance: $s_{ar} = 15 \text{ mm}$
 18 mm (ordering suffix -2750)

3.4 Adjustment



Recommended Adjustment

Align the safety sensor and actuator at a distance of $0.5 \times s_{ao}$.

Align the central markings of the safety sensor and the actuator with each other. The LED can only be used as rough setting tool. The correct functionality of both safety channels must be checked by means of the connected safety-monitoring module.

4. Electrical connection

4.1 General information for electrical connection



The electrical connection may only be carried out by authorised personnel in a de-energised condition.

The safety sensors must be wired in accordance with the wire colours or the pin configuration.

4.2 Contact variants

The contact position shows the actuated sensor function when the safety guard is closed. For safety sensors with LED, the LED is illuminated when the safety guard is closed. The contact configurations of the versions with or without LED are identical.

Safety contacts: S21-S22 and S11-S12 or S13-S14
 Signalling contact: S31-S32

The numbers between brackets indicate the PIN configuration of the versions with connector plug or connecting cable with connector; indication of the wire colours for the version with cable.

BNS 260-02Z(G)

(3) BK S11 — S12 BU (4)
 (1) WH S21 — S22 BN (2)

BNS 260-11Z(G)

(3) BK S13 — S14 BU (4)
 (1) WH S21 — S22 BN (2)

BNS 260-02/01Z(G)

(3) GY S11 — S12 PK (4)
 (1) GN S21 — S22 YE (2)
 (5) WH S31 — S32 BN (6)

BNS 260-11/01Z(G)

(3) GY S13 — S14 PK (4)
 (1) GN S21 — S22 YE (2)
 (5) WH S31 — S32 BN (6)

BNS 260-11Z-L-LST-2715

(1) BU S14 — S13 BK (2)
 (3) WH S21 — S22 BN (4)



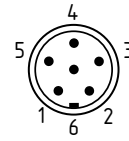
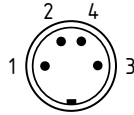
Information for the selection of suitable safety-monitoring modules can be found in the Schmersal catalogues or in the online catalogue on the Internet: www.schmersal.net.

Connecting multiple safety sensors to one AES safety-monitoring module is technically possible. To connect multiple safety sensors (check if authorised!), their NO contacts are wired in parallel and their NC contacts in series. The Protect-IE-11 or -02 or PROTECT-PE-11 (-AN) or -02 input expander module can be used to connect up to 4 safety sensors with NC/NC or NC/NO contacts.

BNS 260 safety sensors equipped with LED's shall not be wired in series, except with the Protect-IE input expander module. As a result of this, the luminosity of the LED's would considerably decrease and the voltage could drop below the minimum input voltage of the downstream safety-monitoring module.

4.3 Connector plug

Connector plug or cable connector



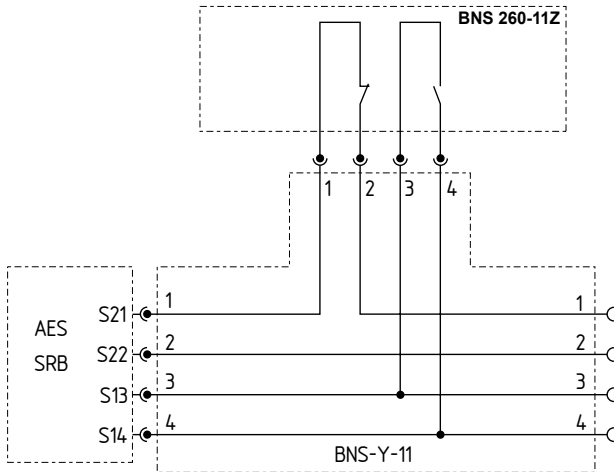
M8, 4-pole, with screw terminal or snap fitting 8 mm, 6-pole, with snap fitting

Accessories: connecting cable with coupling

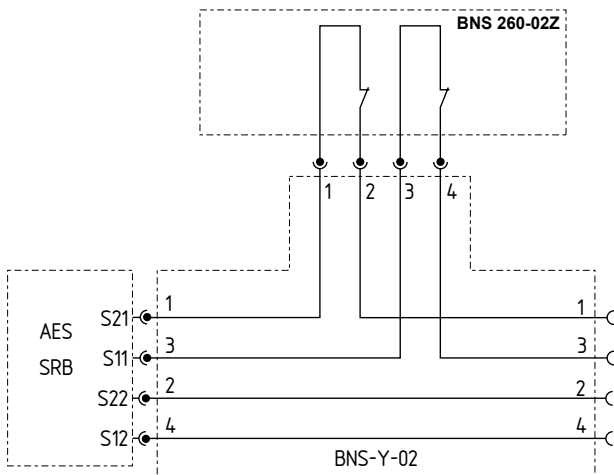
| M8, 4-pole, with screw terminal | | 2 m | 5 m | 10 m | |
|---------------------------------|------|----------|-----------|-----------|---|
| | 1 BN | straight | 103011340 | 103007356 | - |
| | 2 WH | | | | |
| | 3 BU | angled | 101210557 | 101210559 | - |
| | 4 BK | | | | |

| 8 mm, 6-pole, with snap fitting | | 2 m | 5 m | 10 m | |
|---------------------------------|------|----------|-----------|-----------|-----------|
| | 1 GN | straight | 101206010 | 101206011 | 101206012 |
| | 2 YE | | | | |
| | 3 GY | | | | |
| | 4 PK | angled | 101206013 | 101206014 | 101206015 |
| | 5 WH | | | | |
| | 6 BN | | | | |

Accessory: Y-adapter BNS-Y-11



Accessory: Y-adapter BNS-Y-02



5. Set-up and maintenance

5.1 Functional testing

The safety function of the safety components must be tested. The following conditions must be previously checked and met:

1. Fitting of the sensor and the actuator
2. Fitting and integrity of the power cable
3. The system is free of dirt and soiling (in particular metal chips)

5.2 Maintenance

In the case of correct installation and adequate use, the safety sensor features maintenance-free functionality. A regular visual inspection and functional test, including the following steps, is recommended:

- Check of the safety function
- Check the fitting of the sensor and the actuator
- Remove possible metal chips
- Check the cable for damage.



Adequate measures must be taken to ensure protection against tampering either to prevent tampering of the safety guard, for instance by means of replacement actuators.

Damaged or defective components must be replaced.

6. Disassembly and disposal


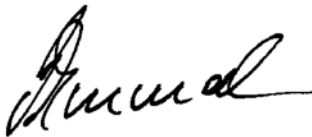
6.1 Disassembly

The safety switchgear must be disassembled in a de-energised condition only.

6.2 Disposal

The safety switchgear must be disposed of in an appropriate manner in accordance with the national prescriptions and legislations.

7. EU Declaration of conformity

| | | |
|--|---|--|
| EU Declaration of conformity | |  |
| Original | K.A. Schmersal GmbH & Co. KG Möddinghofe 30 42279 Wuppertal Germany Internet: www.schmersal.com | |
| We hereby certify that the hereafter described components both in their basic design and construction conform to the applicable European Directives. | | |
| Name of the component: | BNS 260 | |
| Type: | See ordering code | |
| Description of the component: | Safety-sensor with magnetic operating principle in combination with the AES / AZR / SRB safety-monitoring modules from Schmersal or an equivalent safety-oriented control system fulfilling the requirements of the DIN EN 60947-5-3. | |
| Relevant Directives: | 2006/42/EG Machinery Directive 2011/65/EU RoHS-Directive | |
| Applied standards: | DIN EN 60947-5-3: 2014, DIN EN ISO 14119: 2014 | |
| Person authorised for the compilation of the technical documentation: | Oliver Wacker Möddinghofe 30 42279 Wuppertal | |
| Place and date of issue: | Wuppertal, March 2, 2016 | |
| |  | |
| | Authorised signature Philip Schmersal Managing Director | |

BNS260-F-EN



The currently valid declaration of conformity can be downloaded from the internet at www.schmersal.net.



K. A. Schmersal GmbH & Co. KG
Möddinghofe 30, D - 42279 Wuppertal
Postfach 24 02 63, D - 42232 Wuppertal

Phone: +49 - (0)2 02 - 64 74 - 0
Telefax: +49 - (0)2 02 - 64 74 - 1 00
E-Mail: info@schmersal.com
Internet: <http://www.schmersal.com>