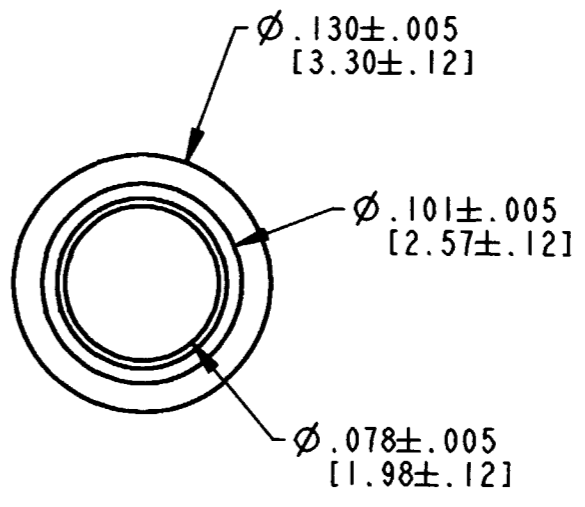
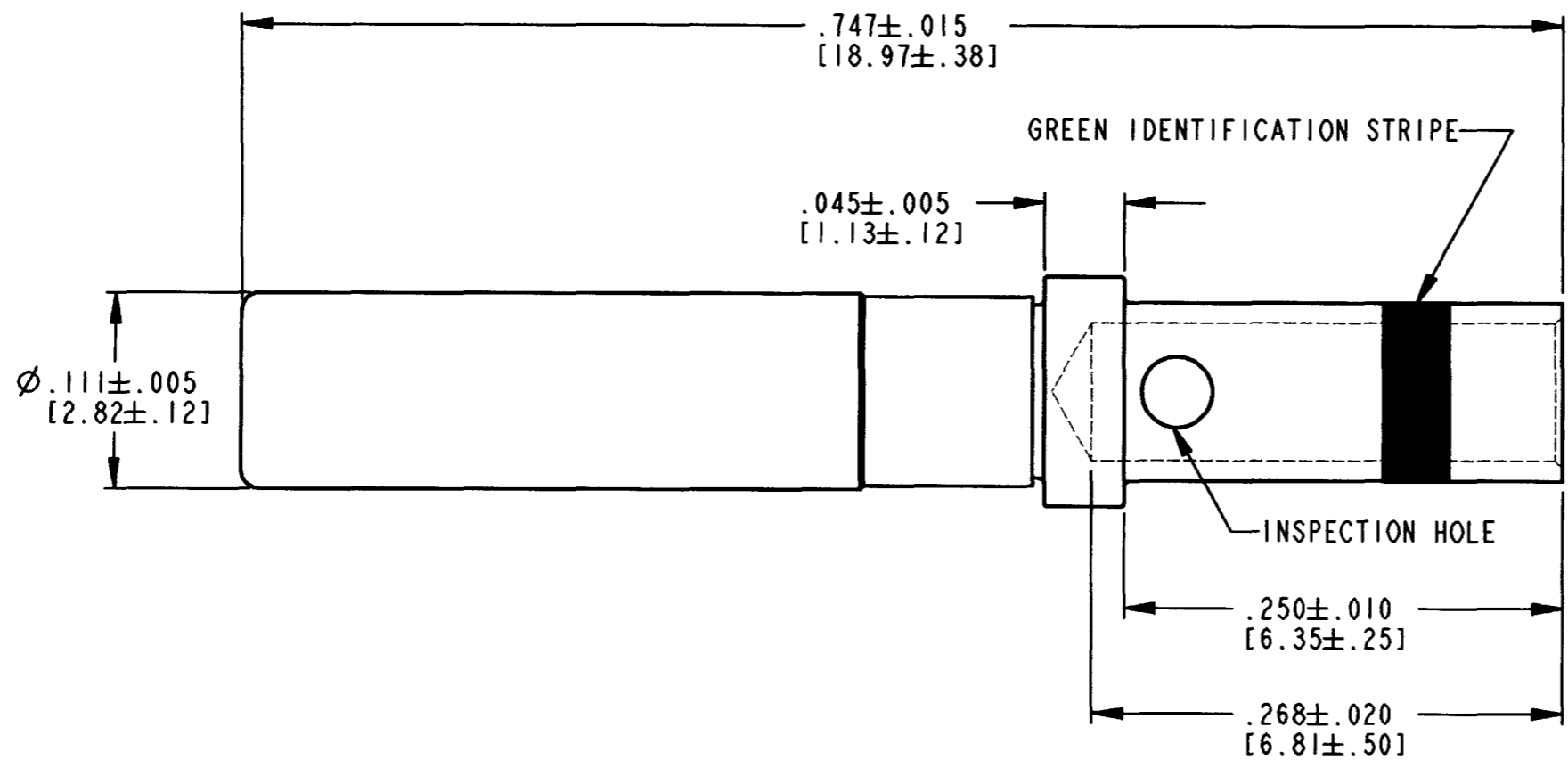


REV B 0462-209-16\*\*

REVISIONS			
SYM	DESCRIPTION	DATE	APPROVED
NC	NEW RELEASE PER E.O. A 14776	12/13/94	RDR
A	REVISED PER E.O. P15649	6/16/98	RDR
B	REVISED PER E.O. P16308	10-4-99	RDR



- FOR CONTACT PERFORMANCE AND APPLICATION INFORMATION SEE DWG. NO. 0425-015-0000.
- WHEN \*\* = 31, PLATING IS GOLD OVER NICKEL  
\*\* = 141, PLATING IS NICKEL.
- DIMENSIONS ARE IN INCHES [mm].

NOTES: 1. FOR CRIMPING INFORMATION SEE DRAWING 0425-205-0000.

SIGNATURE & DATE	
DR	D. SPENCER 02OCT99
CHK	M. G. 10/4/99
PE	D. Mey 10/4/99
APPD	P. Reed 10-4-99
SCALE	NONE WT

CONTACT, SOCKET  
SIZE 16  
14 AWG ONLY  
[2.00mm<sup>2</sup>]  
ENVELOPE

CP	MATL. CODE
The Deutch Company DEUTSCH I.P.D. 3850 INDUSTRIAL AVE. HEMET, CALIF. 92545	
B 0462-209-16**	
DWG SIZE	CODE 11139 SHEET   OF