

## Vacuum block

### VCBL-K1 140x115x50

Part no.:10.01.12.00210

<https://www.schmalz.com/10.01.12.00210>

Homepage > Vacuum Clamping Technology > Clamping Equipment for Woodworking > Clamping Equipment for 1-Circuit Systems > Vacuum Blocks VCBL-K1 > VCBL-K1 140x115x50

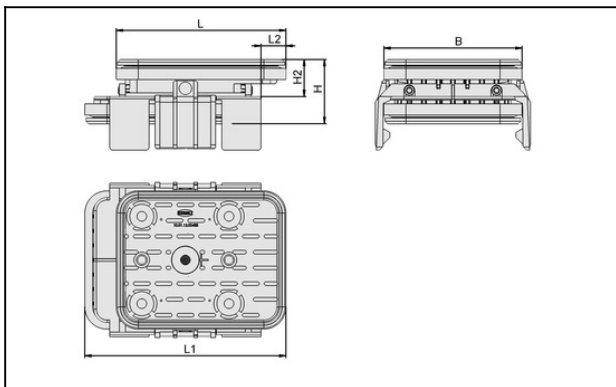
## Vacuum block for Schmalz 1-circuit console



Dimensions (LxW): 140 x 115 mm

Height H: 50 mm

## Design Data



| Attribute | Value  |
|-----------|--------|
| B         | 115 mm |
| B1        | 130 mm |
| H         | 50 mm  |
| H2        | 29 mm  |
| L         | 140 mm |
| L1        | 170 mm |
| L2        | 27 mm  |

## Technical Data

| Attribute | Value  |
|-----------|--------|
| Weight    | 0.6 kg |

## Vacuum block

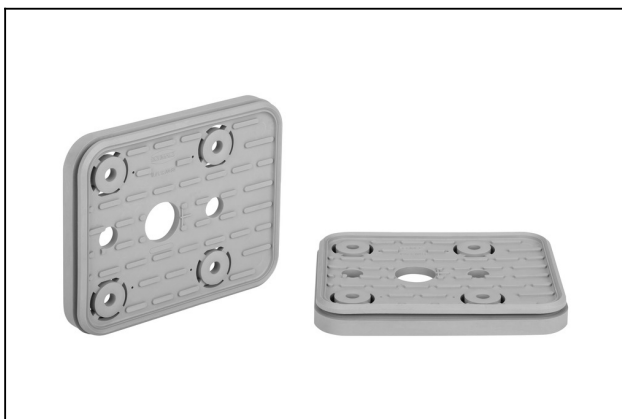
VCBL-K1 140x115x50

Part no.:10.01.12.00210

<https://www.schmalz.com/10.01.12.00210>



### Spare Parts



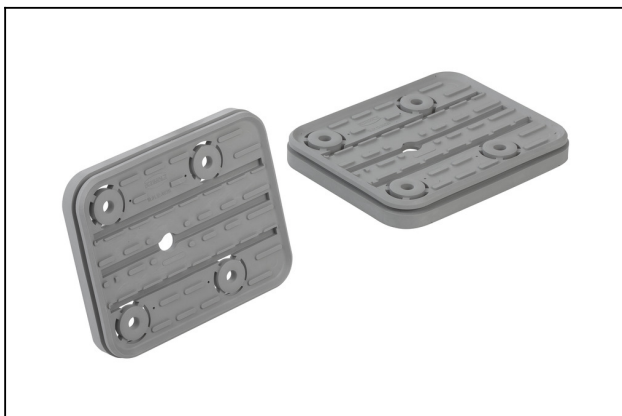
#### **VCSP-O 140x115x16.5**

Part no.10.01.12.00488

Suction-Plate for vacuum block, (top)

Dimensions (LxW): 140 x 115 mm

Height H: 16.5 mm



#### **VCSP-U 140x115x16.5 VCBL-K1**

Part no.10.01.12.00228

Suction plate for vacuum block bottom

Dimensions (LxW): 140 x 115 mm

Height H: 16.5 mm

for: Vacuum block VCBL-K1

### Accessories



#### **VCSP-O 140x115x18.5 MOS**

Part no.10.01.12.03507

Suction-Plate for vacuum block, (top)

Dimensions (LxW): 140 x 115 mm

Height H: 18.5 mm

with: Sealing lip with MOS

## Vacuum block

VCBL-K1 140x115x50

Part no.:10.01.12.00210

<https://www.schmalz.com/10.01.12.00210>

---

