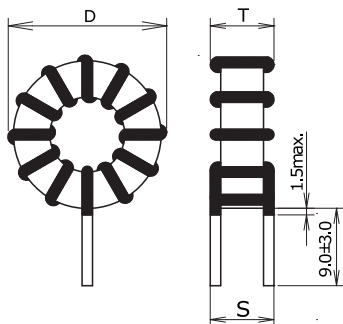


KEMET Part Number: PHBC24W-2R1A0311V
(UALP4N2R1B0039)

KEMET, PHBC, AC Line Filters, Normal Mode, 311 uH, 20%



Dimensions

D	57.6mm MAX
T	30.5mm MAX
LL	9mm +/-3mm
S	24mm NOM

Packaging Specifications

Packaging:	Tray
Packaging Quantity:	45
Weight:	248 g

General Information

Series:	PHBC
Style:	Through-Hole
Features:	Switching Power Supply Outlet, DC-DC Converter, Phase Compensation, Noise Solution
RoHS:	Yes
Miscellaneous:	55 (K) Temperature Rise Max.

Specifications

Inductance:	311 uH (0.1 MHz)
Inductance Tolerance:	20%
Current:	15 A
Temperature Range:	-40/+125°C
DC Resistance:	20.1 mOhms