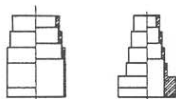
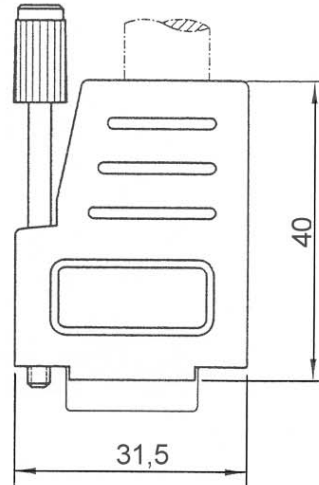
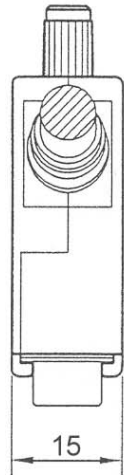
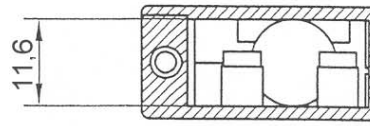
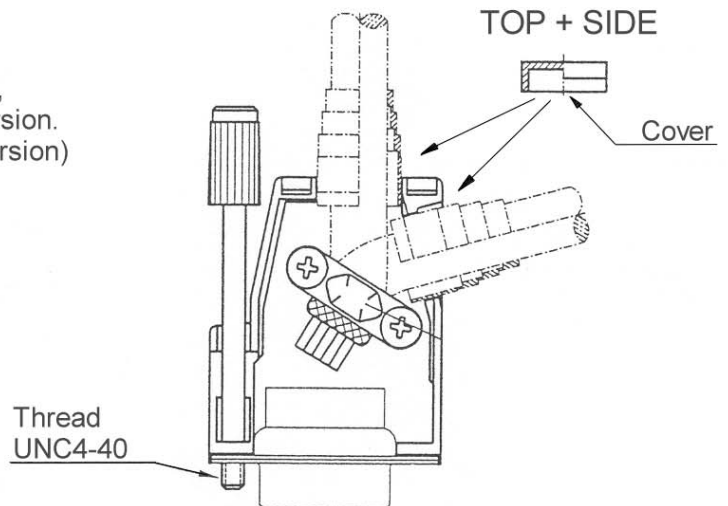


No.	Changes and/or Note No.	Date	Intr.	No.	Changes and/or Note No.	Date	Intr.



Bypacked 2 grommets,
only with metalized version.
(Optional for plastic version)




UNSHIELDED PART:

Single Pack:	L17DSSK09TP-U
Bulk Pack:	L17DSSK09TP

SHIELDED PART:

Single Pack:	L17DSSK09TMU
Bulk Pack:	L17DSSK09TM

DATE 960508	DRAWN GMN	SCALE 1:1	MATERIAL TYPE
	APPROVED		REPLACES
PLASTIC HOOD Unshielded or Shielded Version			 DRAWING No 6688-9480-L