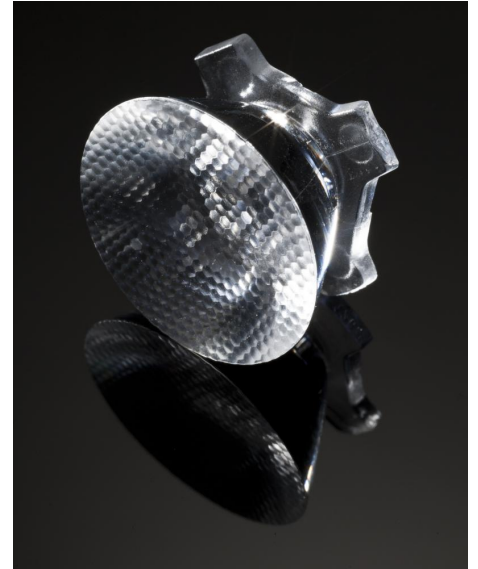


DETAILS

Product Number	CA12242_HEIDI-SS
Family	Heidi
Type	Assembly
Color	clear
Diameter	21,6 mm
Height	11,7 mm
Style	round
Optic Material	PMMA
Holder Material	
Fastening	pin, tape
Status	ready
ROHS Compliant	Yes
Date Updated	14/05/2014



OPTICAL PROPERTIES

LED	Viewing	Light	Effi-	cd/lm	Connector
	Angle	Beam	ciency		
XP-E	14 deg	Smooth spo...	.92 %	7.900	-
Z5M1/Z5M2	14 deg	Smooth spo...	.91 %	7.900	-
NCSxx19A	14 deg	Smooth spo...	.89 %	7.230	-
Oslon SSL 80	14 deg	Smooth spo...	.89 %	7.300	-
Z5	14 deg	Smooth spo...	.92 %	6.800	-
Oslon SSL 150	14 deg	Smooth spo...	.91 %	7.500	-
NVSxx19A	15 deg	Smooth spo...	.89 %	6.100	-
NCSxx19B	15 deg	Smooth spo...	.86 %	8.500	-
LUXEON T	15 deg	Smooth spo...	.87 %	7.300	-
LUXEON TX	16 deg	Smooth spo...	.86 %	7.800	-
XP-G	16 deg	Smooth spo...	.92 %	5.900	-
NVSxx19B/NVSxx19C	18 deg	Smooth spo...	.87 %	6.000	-

D

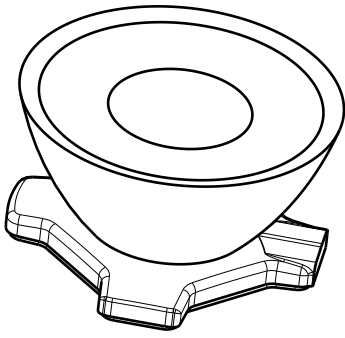
C

B

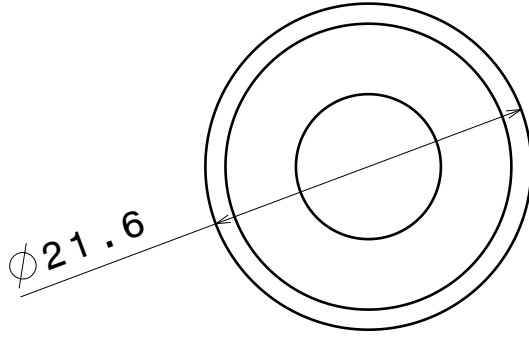
A

4

4



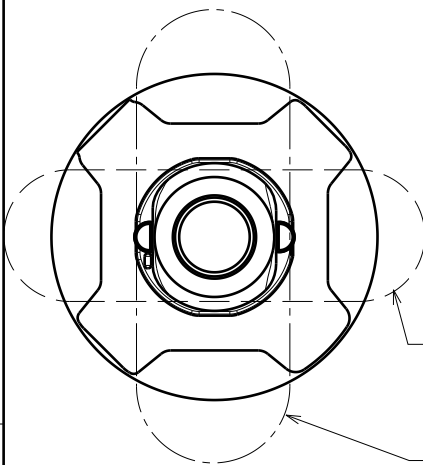
Isometric view



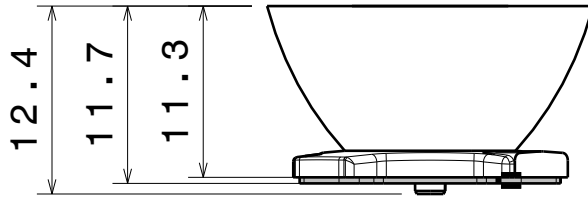
Top view

3

3



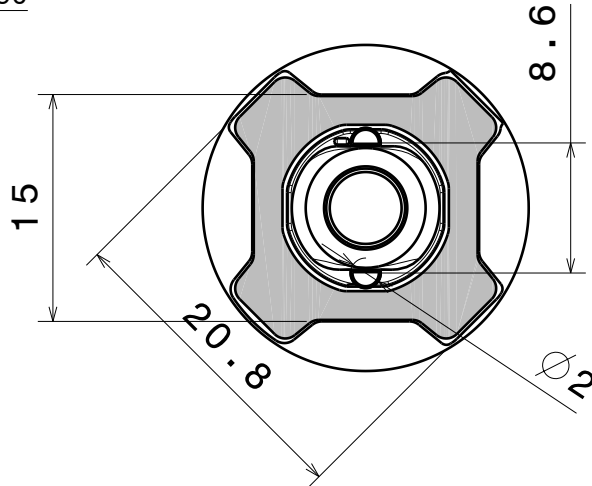
Bottom view
OVAL BEAM direction



Front view

2

2



Bottom view

Material:
Lens PMMA
Tape PU Foam

This drawing is our property.
It can't be reproduced
or communicated without
our written agreement.



Ledil Oy
Salorankatu 10
FIN-24100 SALO
Finland

DRAWING TITLE

Datasheet Heidi-Series Assy

1

1

DRAWN BY
ah

DATE
1.2.2012

CHECKED BY

DATE

SIZE
A4

DRAWING NUMBER

REV
2

DESIGNED BY

DATE

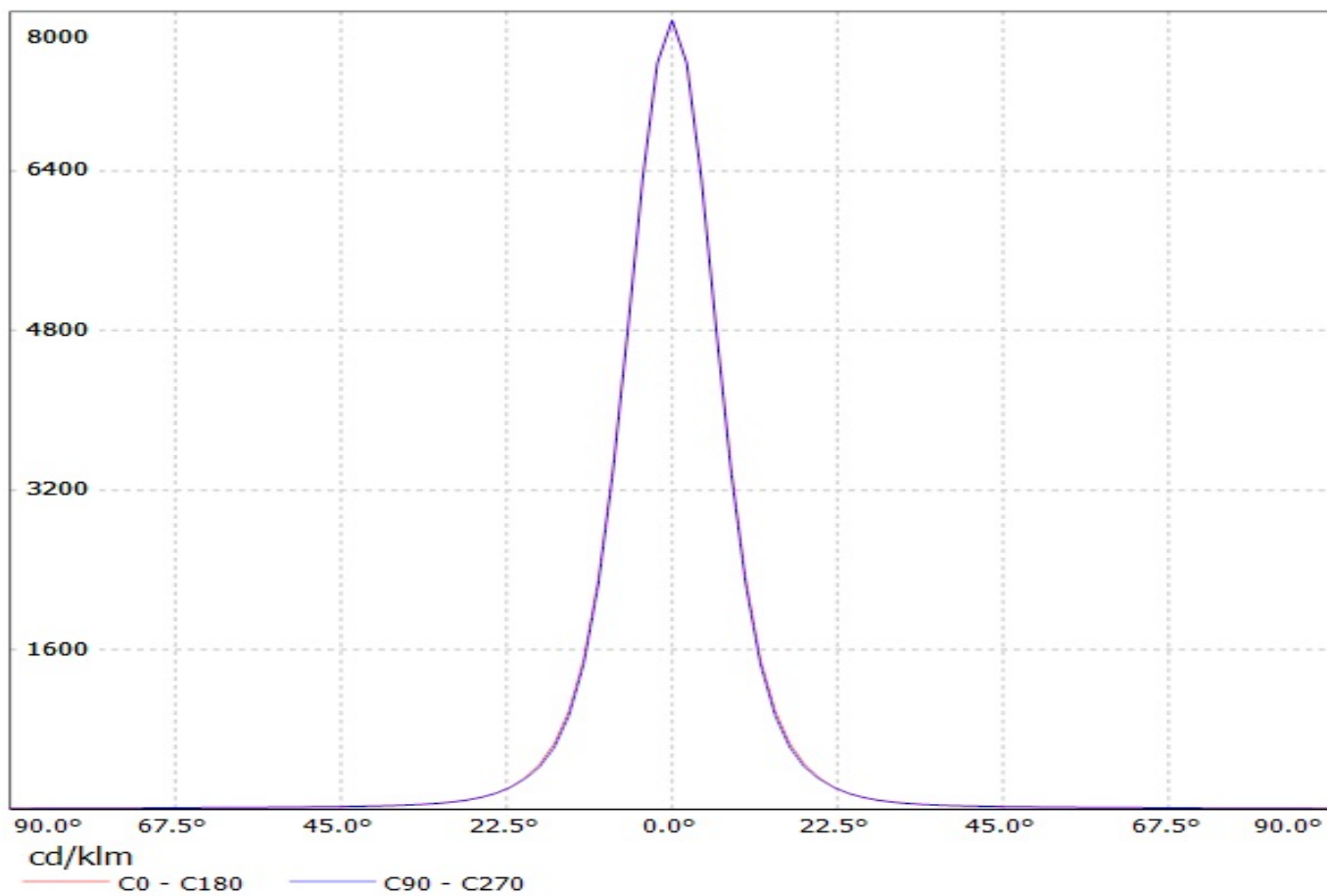
SCALE 2:1 WEIGHT (g)

SHEET 1/1

D

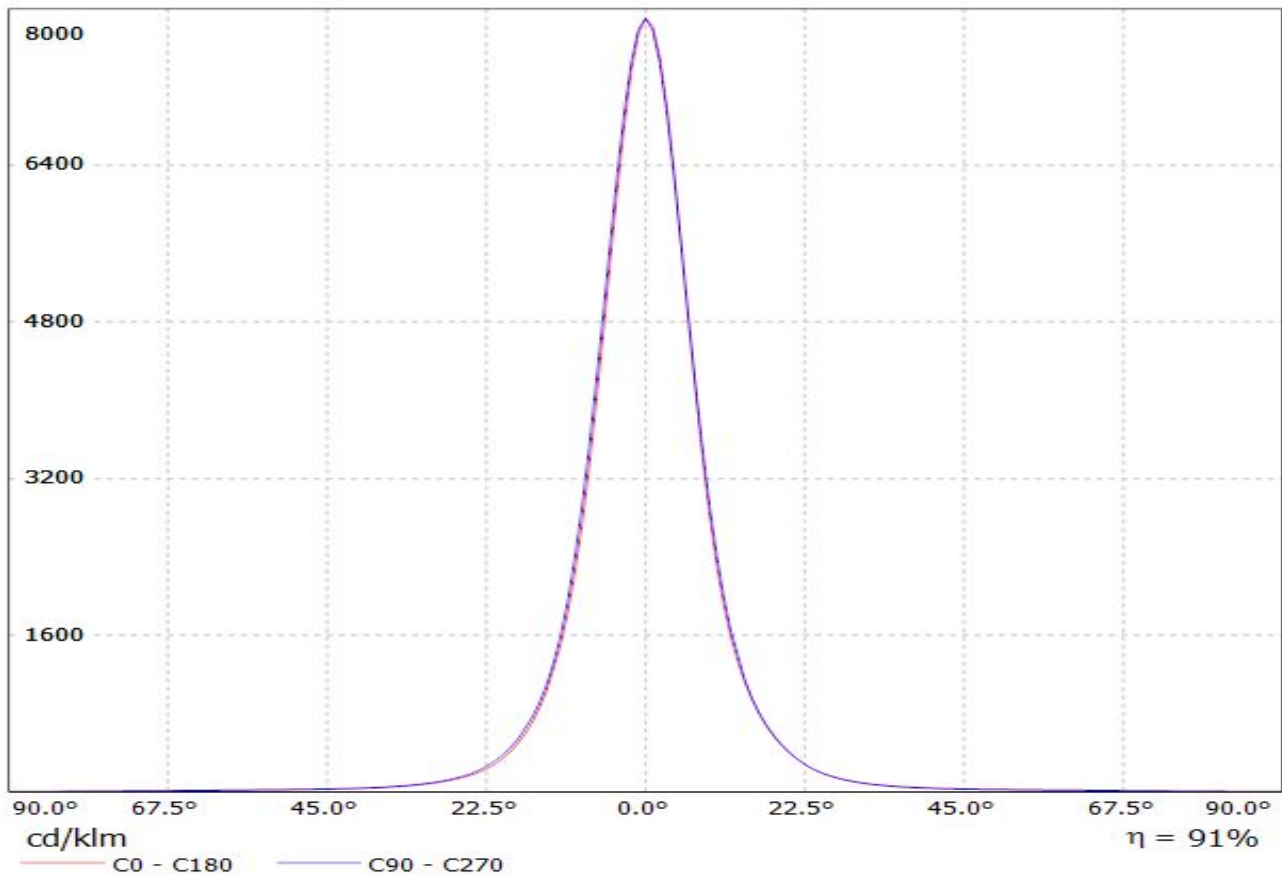
A

Luminaire: Ledil Oy CA12242_Heidi-SS-XP CA12242_Heidi-SS-XP Cree XP-E (white) 79lm @ 250mA LOR=9
Lamps: 1 x Cree XP-E (white) 79lm @ 250mA



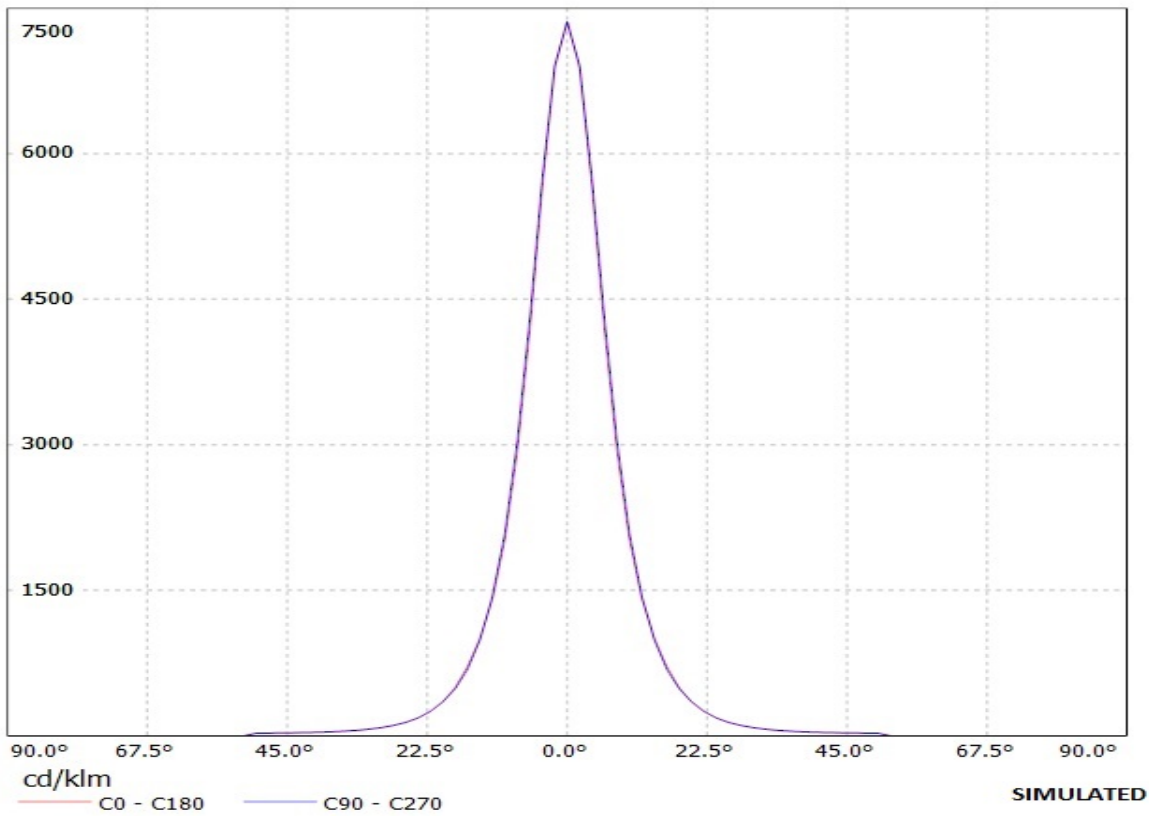
Luminaire: LEDiL Oy CA12242_HEIDI-SS_(Seoul_Z5M1)

Lamps: 1 x Seoul_Z5M1_107.648lm@250mA_CCT=9074K_P=0.739754W_I=249.9mA

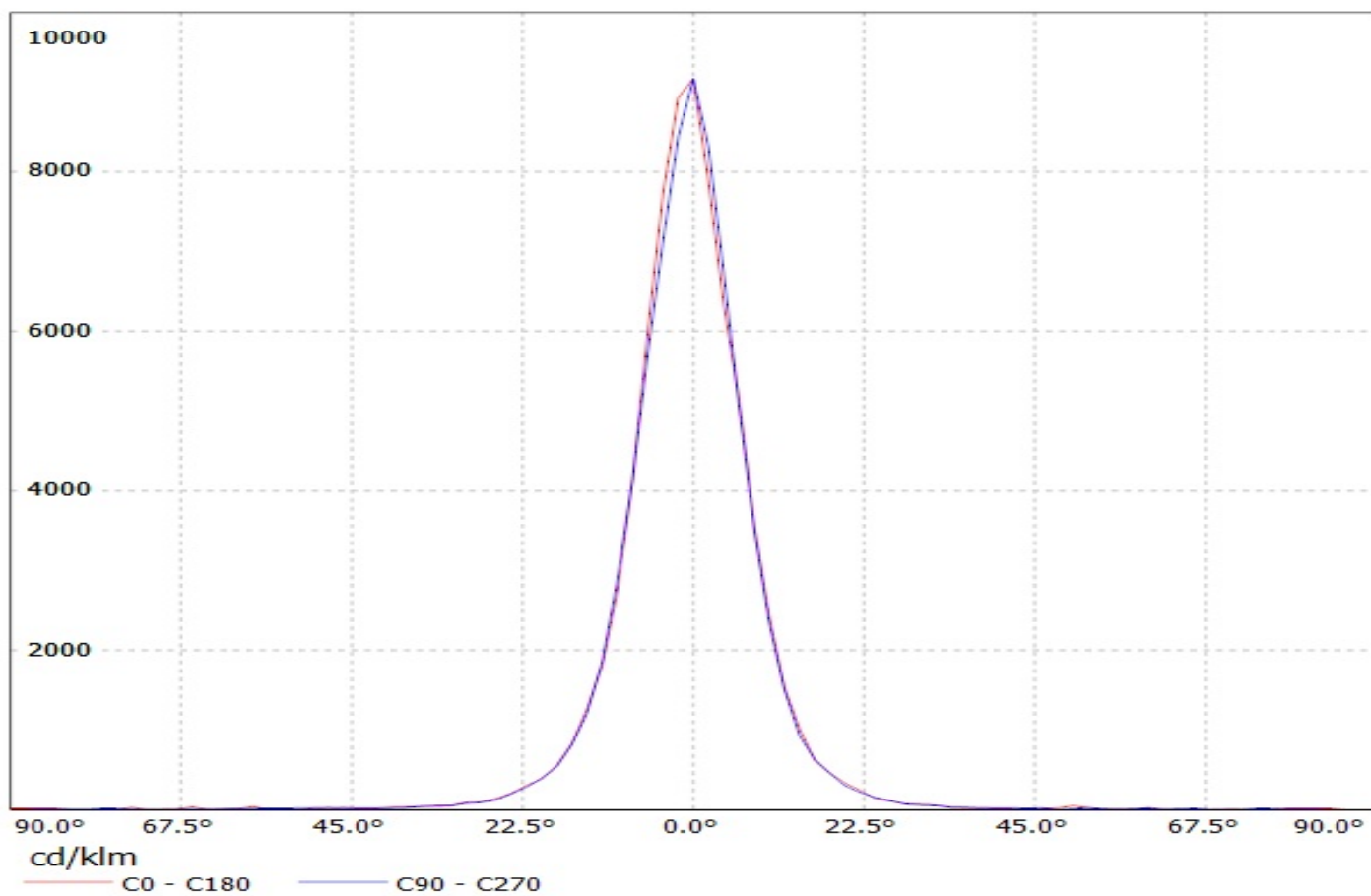


**Ledil Oy CA12242_Heidi-SS-OSL CA12242_Heidi-SS-OSL Osram SSL80 (white) 85lm @ 250mA
LOR=89% / LDC (Linear)**

Luminaire: Ledil Oy CA12242_Heidi-SS-OSL CA12242_Heidi-SS-OSL Osram SSL80 (white) 85lm @ 250mA LOR=89%
Lamps: 1 x Osram SSL80 (white) 85lm @ 250mA For more info visit ledil.com

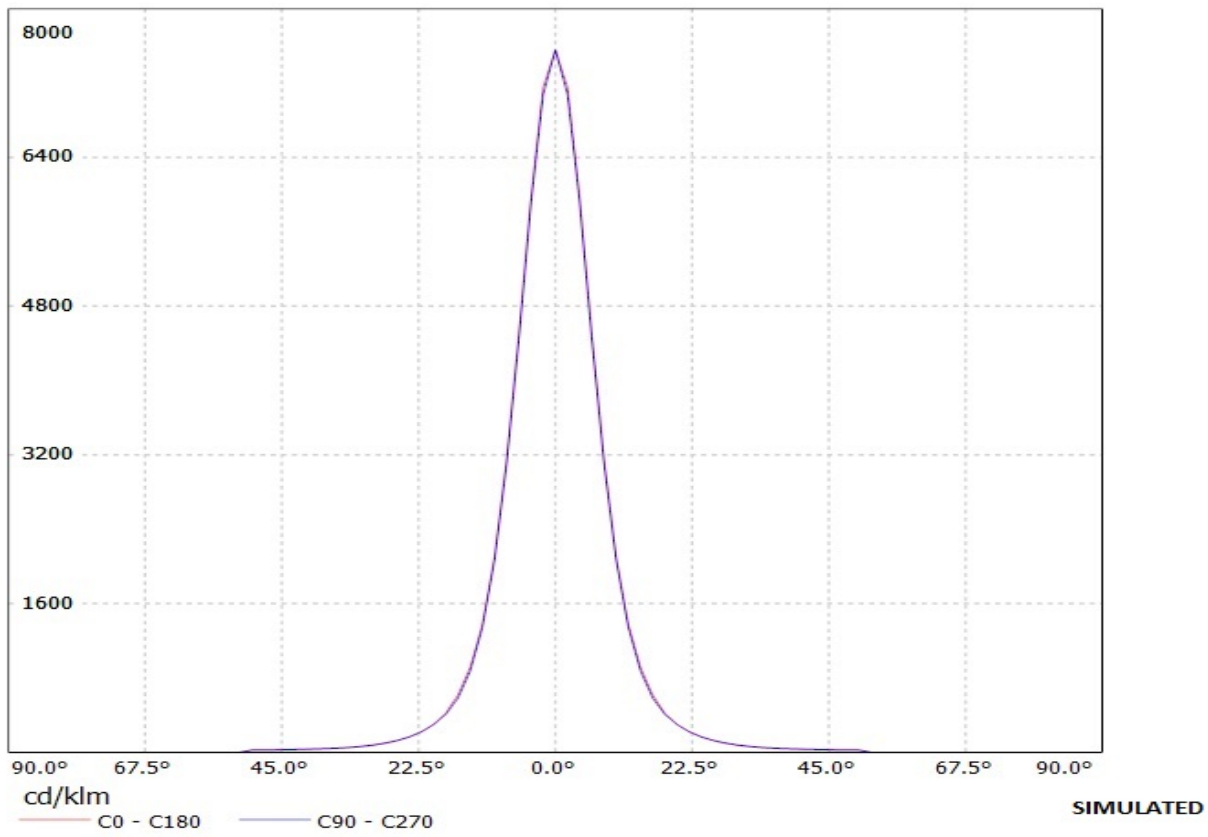


Luminaire: Ledil Oy CA12242_HEIDI-SS-Z5 LOR=89%
Lamps: 1 x Seoul Z5 250mA 77lm

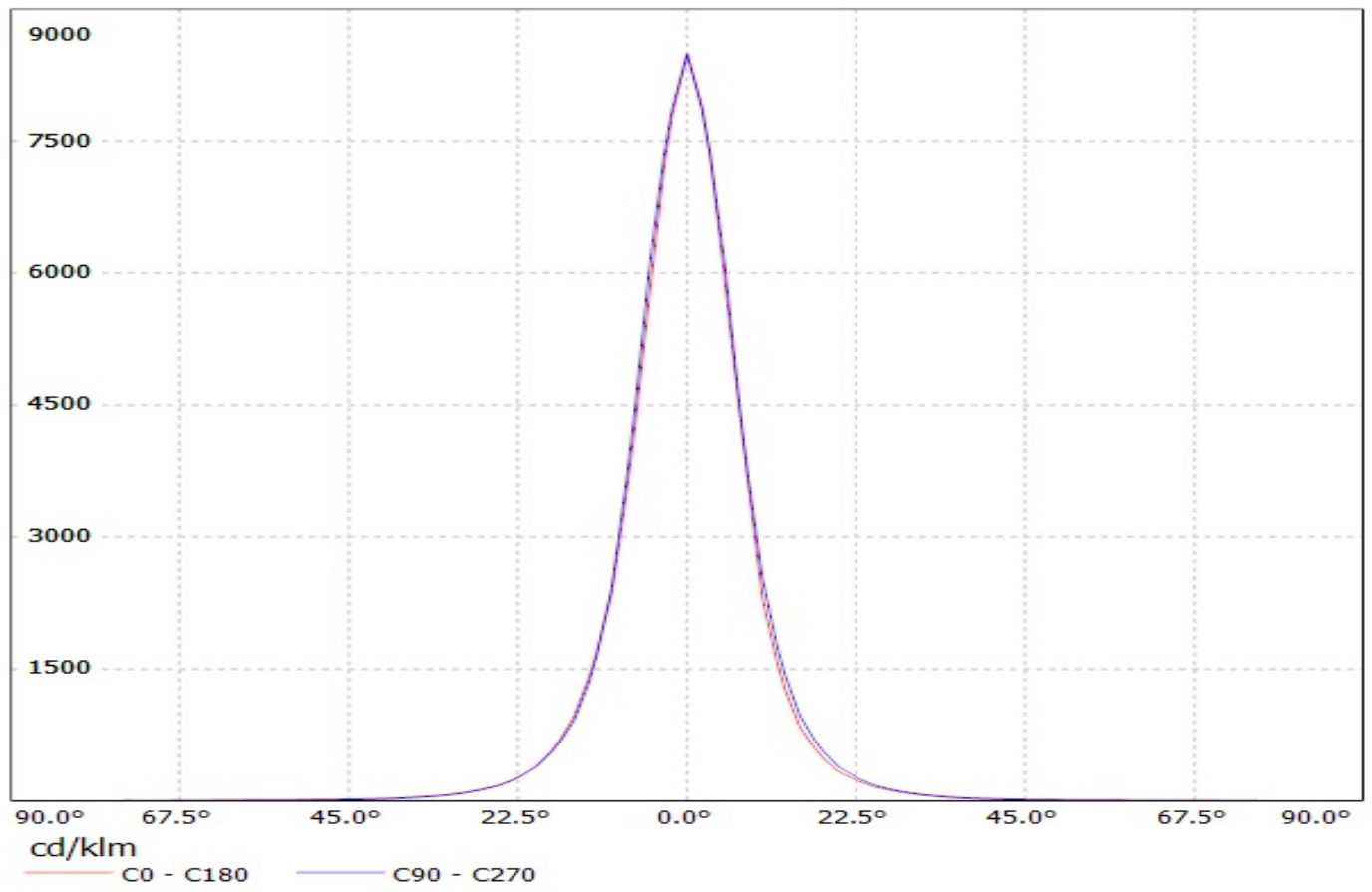


Ledil Oy CA12242_Heidi-SS-OSL150 CA12242_Heidi-SS-OSL150 Osram SSL150 111lm @ 250 mA
LOR=91% / LDC (Linear)

Luminaire: Ledil Oy CA12242_Heidi-SS-OSL150 CA12242_Heidi-SS-OSL150 Osram SSL150 111lm @ 250 mA LOR=91%
Lamps: 1 x Osram SSL150 111lm @ 250 mA

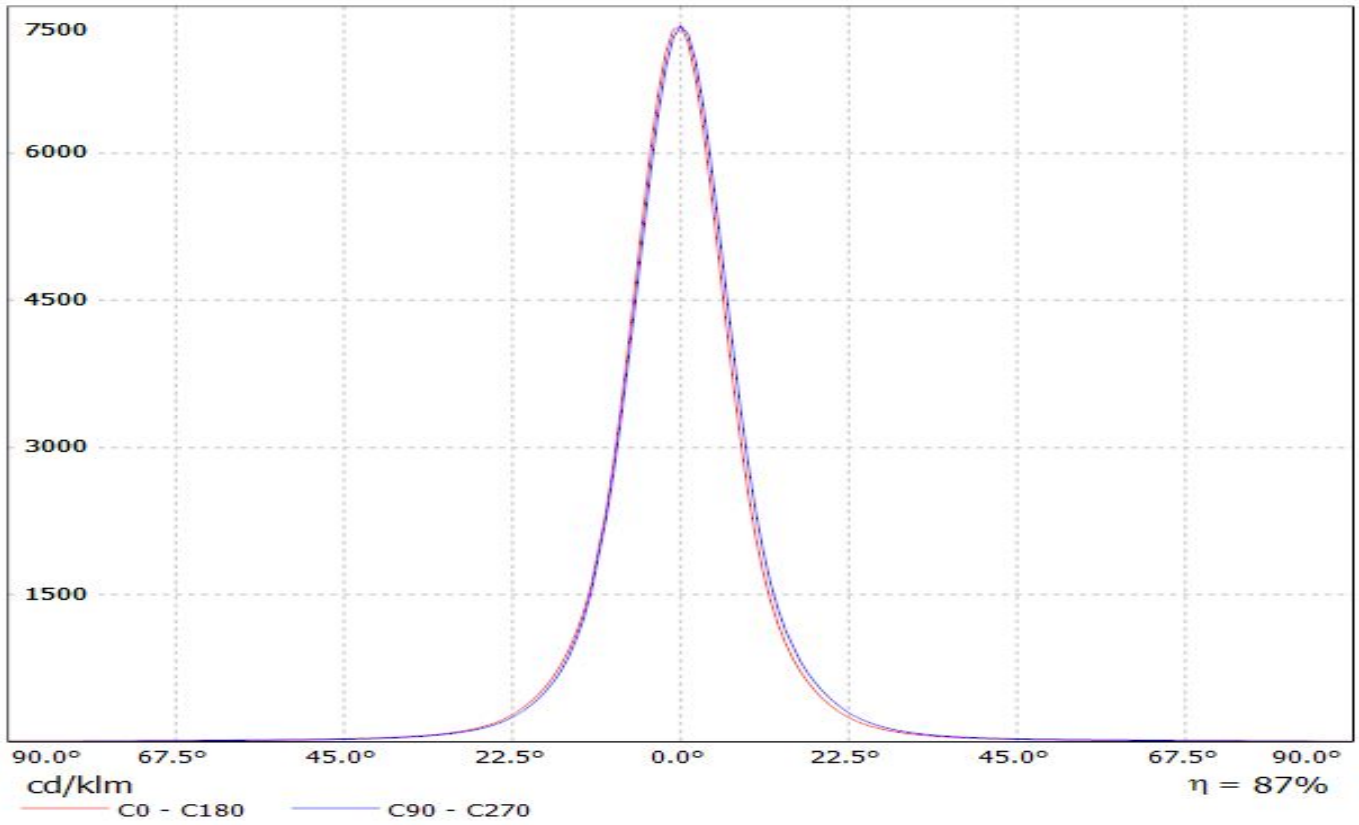


Luminaire: Ledil Oy CA12242_HEIDI-SS_(NCSxx19B) Efficiency=86%
Lamps: 1 x Nichia NCS19xx19B (NCSL119BE) 88lm @ 250mA CCT=3000K P=0.8W I=250mA

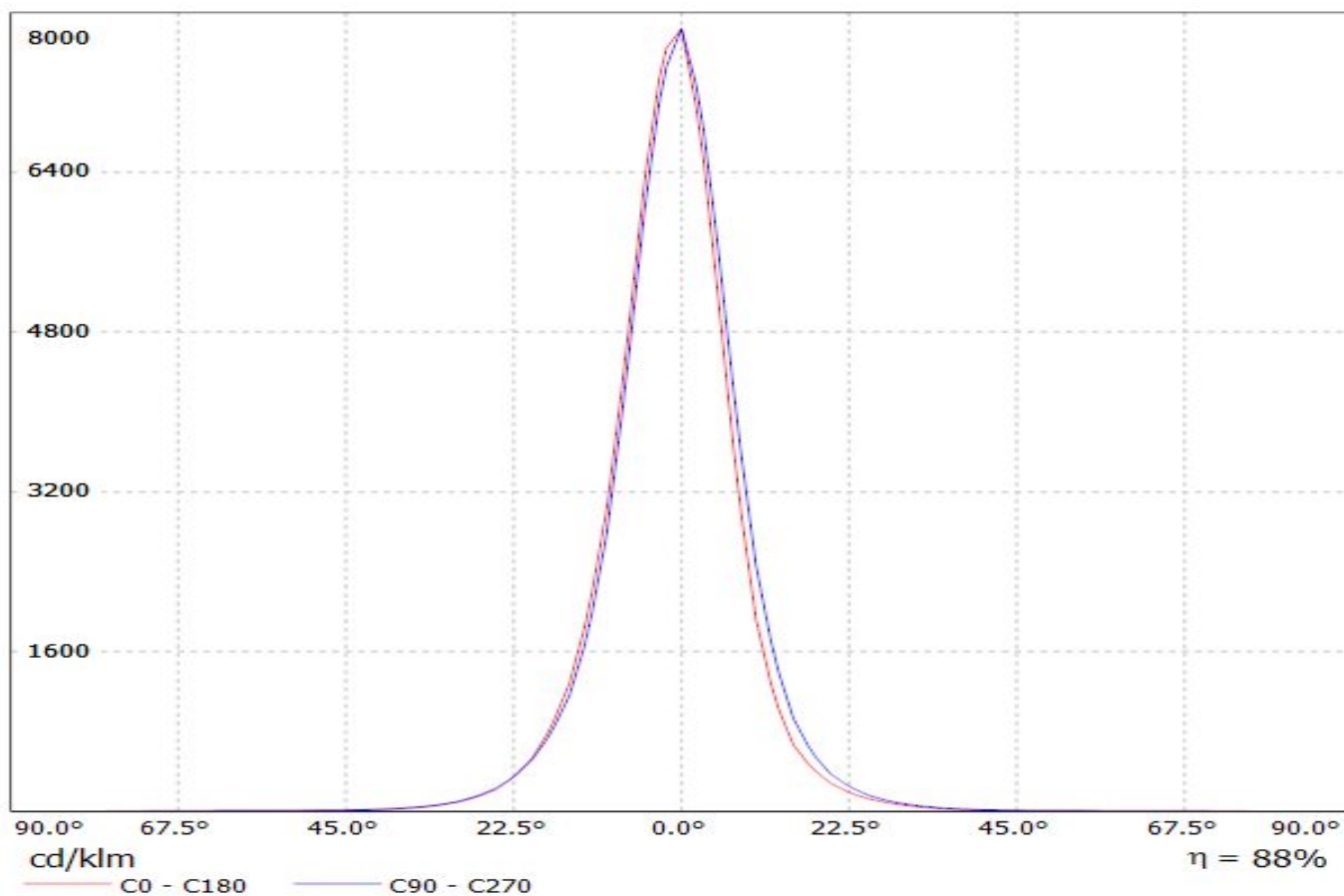


LEDiL Oy CA12242_HEIDI-SS_(LUXEON_T)_1 Eff.87.0% / LDC (Linear)

Luminaire: LEDiL Oy CA12242_HEIDI-SS_(LUXEON_T)_1 Eff.87.0%
Lamps: 1 x LUXEON T (74lm@250mA)

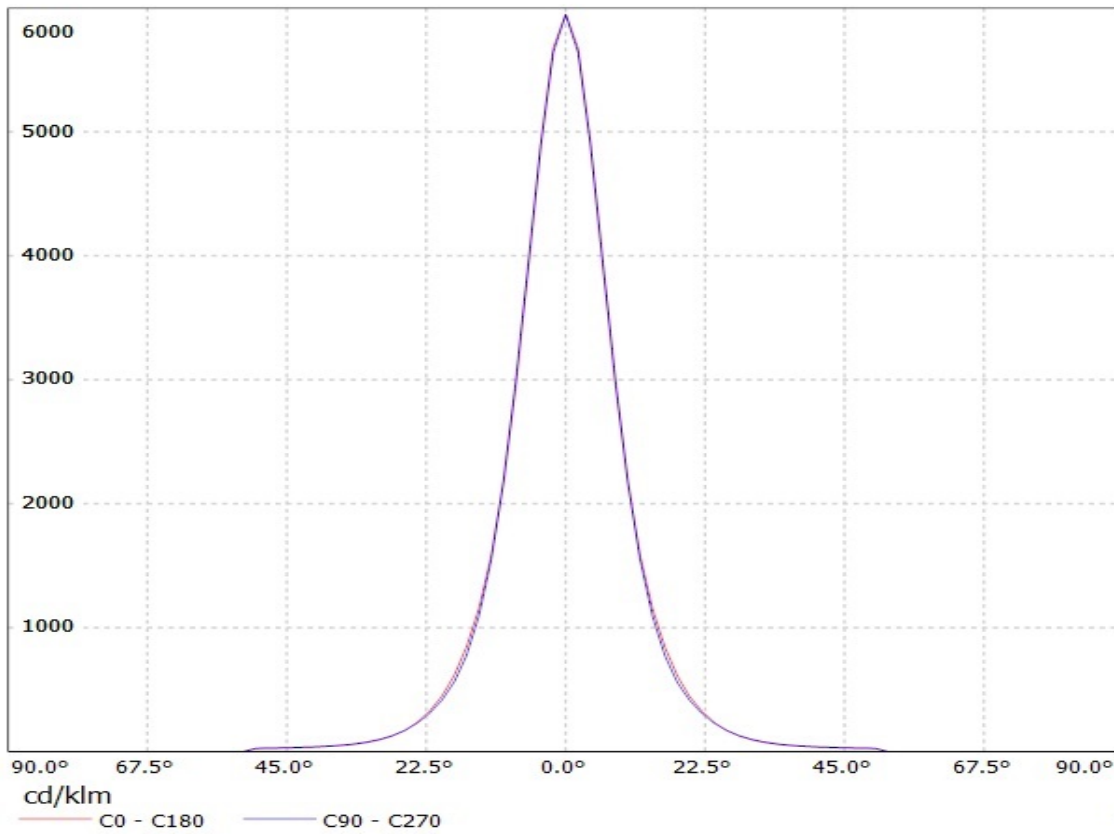


Luminaire: Ledil Oy CA12242_HEIDI-SS_(Luxeon_TX) Efficiency=86%
Lamps: 1 x Luxeon TX (L1T2-3585) 108lm @ 250mA CCT=3521K P=0.73W I=250mA

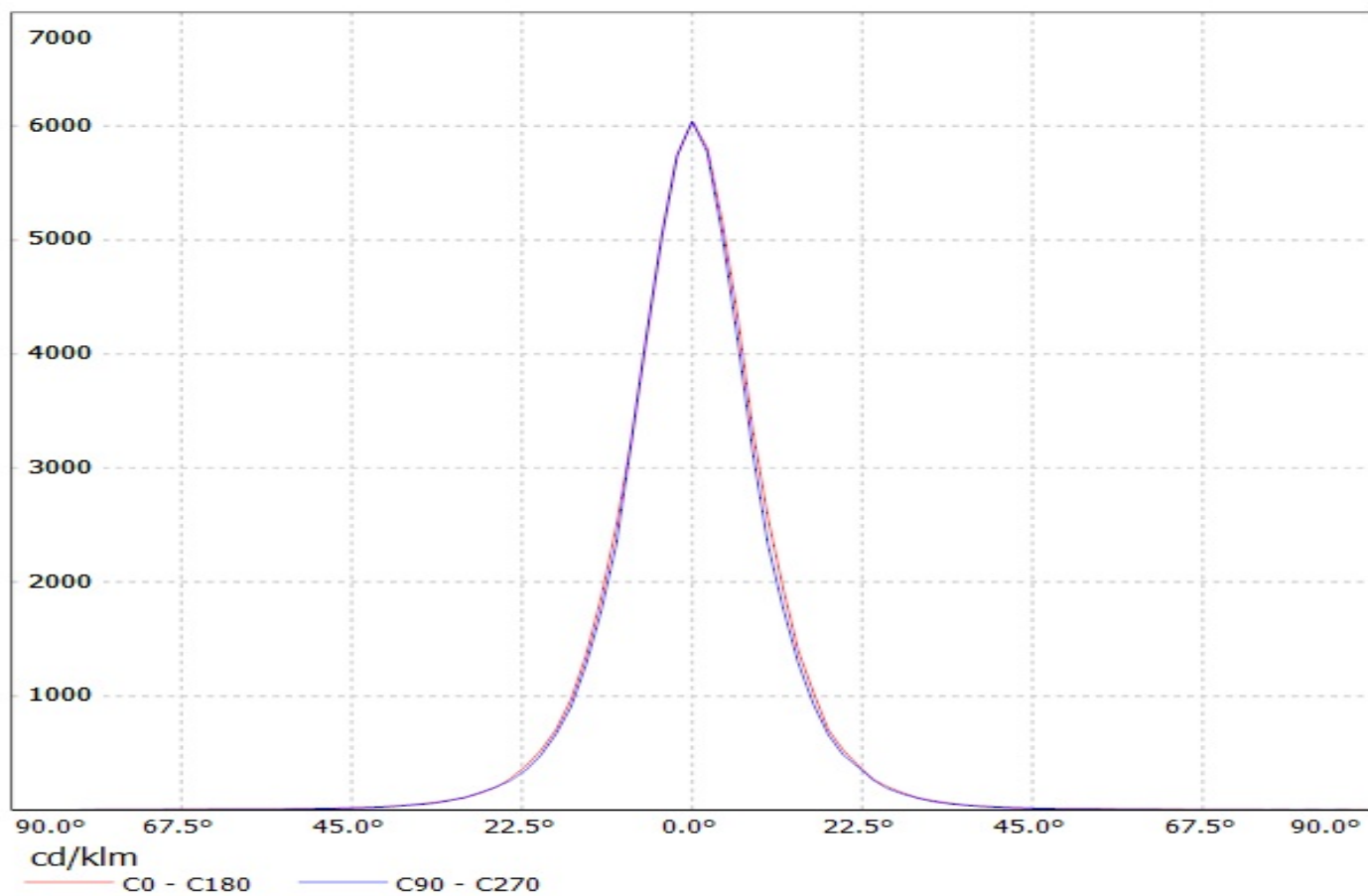


Ledil Oy CA12242_Heidi-SS-XP-G CA12242_Heidi-SS-XP-G Cree XP-G (white) 91lm @ 250mA
LOR=92% / LDC (Linear)

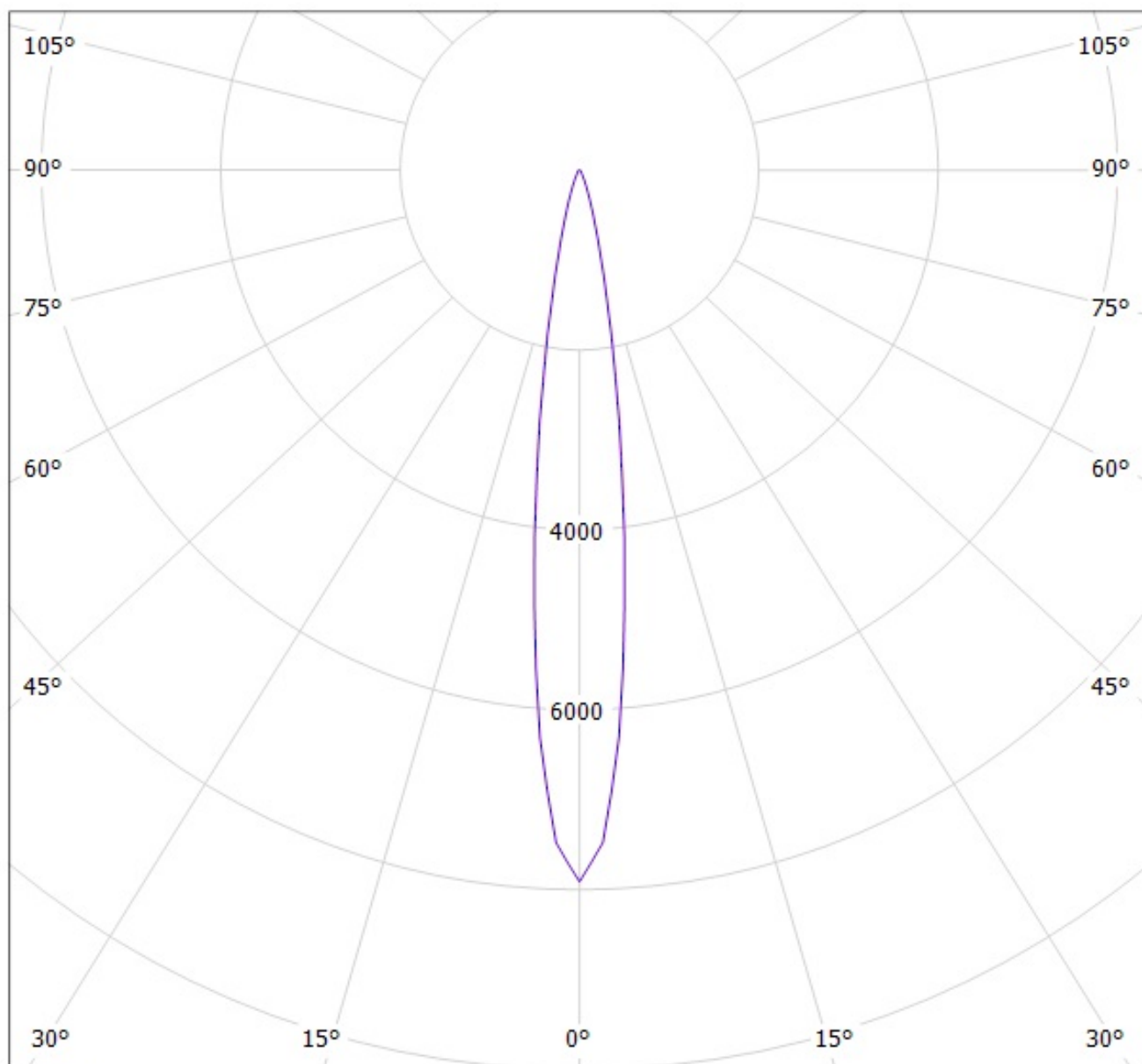
Luminaire: Ledil Oy CA12242_Heidi-SS-XP-G CA12242_Heidi-SS-XP-G Cree XP-G (white) 91lm @ 250mA LOR=92%
Lamps: 1 x Cree XP-G (white) 91lm @ 250mA



Luminaire: Ledil Oy CA12242_HEIDI-SS (Nichia 219B 109lm @ 250mA) Efficiency=87%
Lamps: 1 x Nichia 219B 109lm @ 250mA



Luminaire: Ledil Oy CA12242_Heidi-SS-XP CA12242_Heidi-SS-XP Cree XP-E (white) 79lm @ 250mA LOR=92%
Lamps: 1 x Cree XP-E (white) 79lm @ 250mA



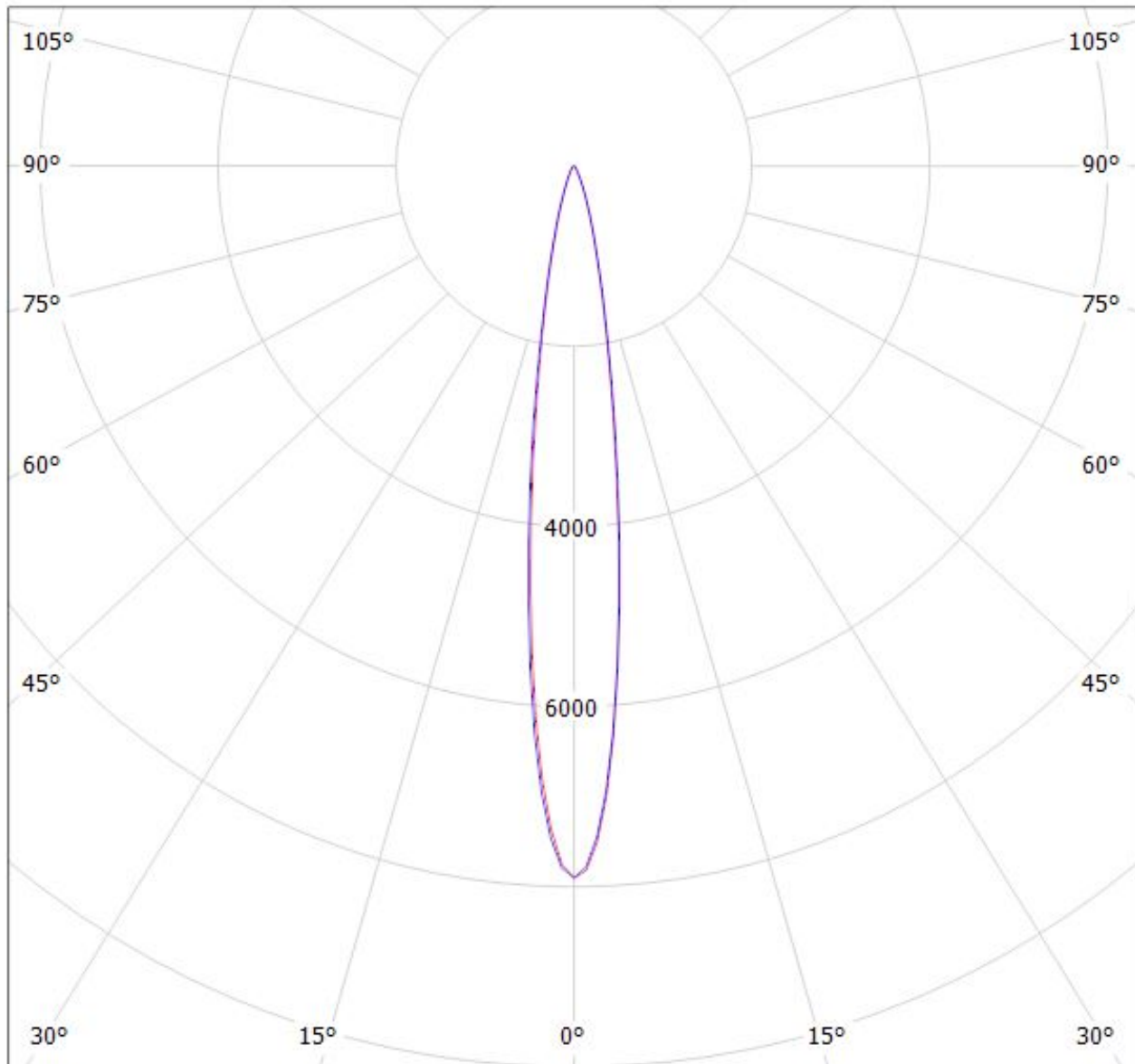
cd/klm

— C0 - C180

— C90 - C270

Luminaire: LEDiL Oy CA12242_HEIDI-SS_(Seoul_Z5M1)

Lamps: 1 x Seoul_Z5M1_107.648lm@250mA_CCT=9074K_P=0.739754W_I=249.9mA



cd/klm

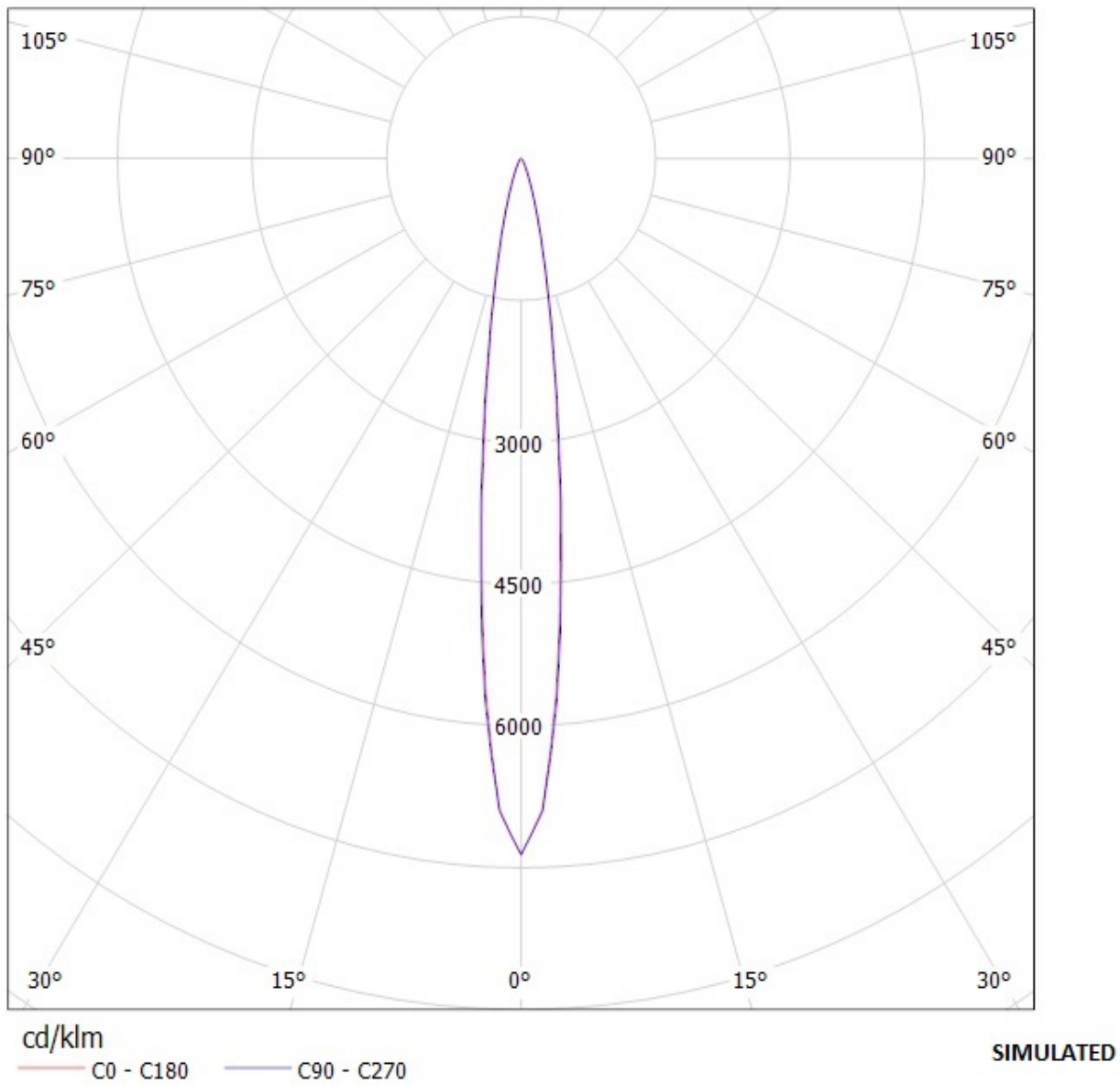
— C0 - C180

— C90 - C270

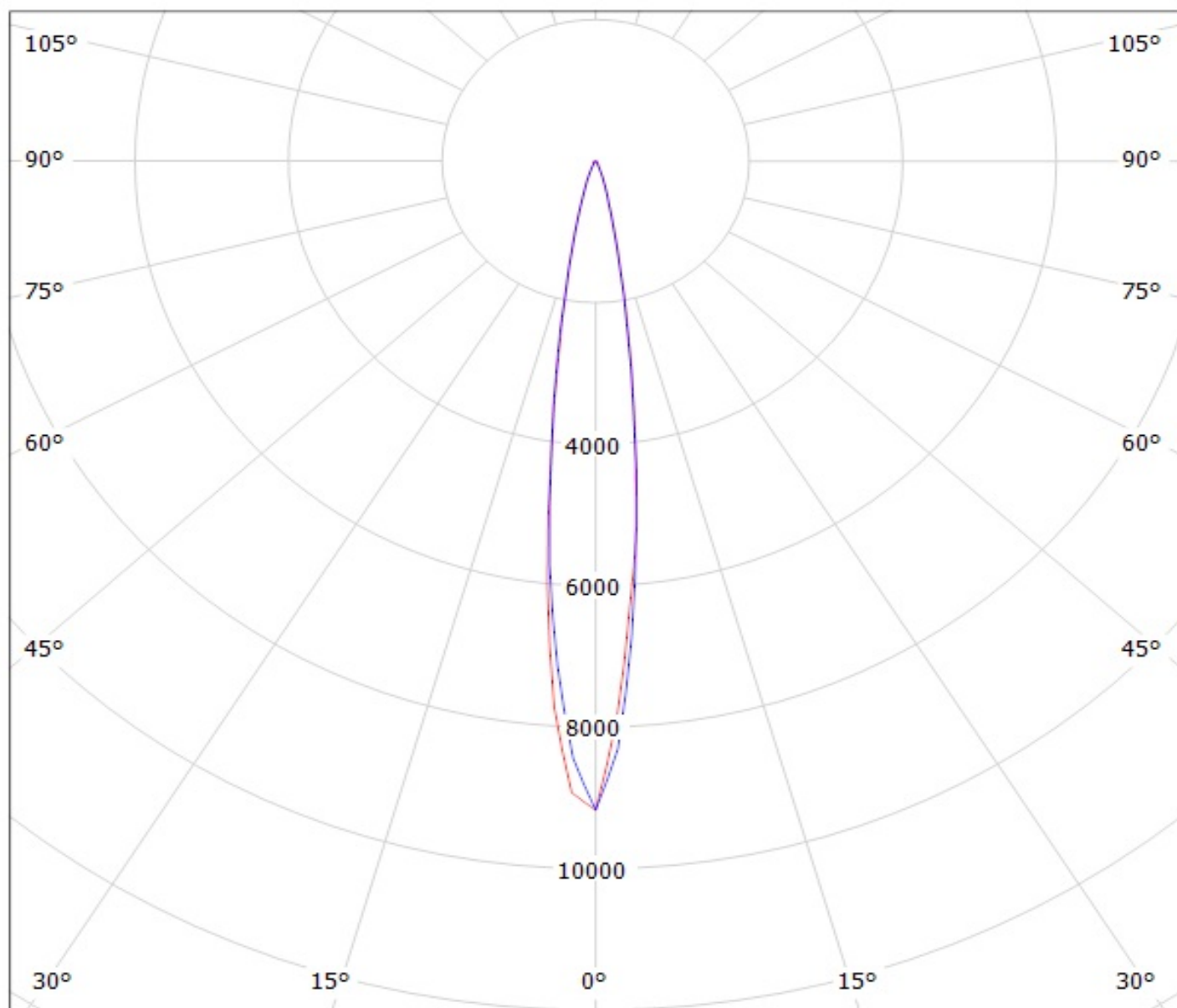
$\eta = 91\%$

Ledil Oy CA12242_Heidi-SS-OSL CA12242_Heidi-SS-OSL Osram SSL80 (white) 85lm @ 250mA
LOR=89% / LDC (Polar)

Luminaire: Ledil Oy CA12242_Heidi-SS-OSL CA12242_Heidi-SS-OSL Osram SSL80 (white) 85lm @ 250mA LOR=89%
Lamps: 1 x Osram SSL80 (white) 85lm @ 250mA For more info visit ledil.com



Luminaire: Ledil Oy CA12242_HEIDI-SS-Z5 LOR=89%
Lamps: 1 x Seoul Z5 250mA 77lm



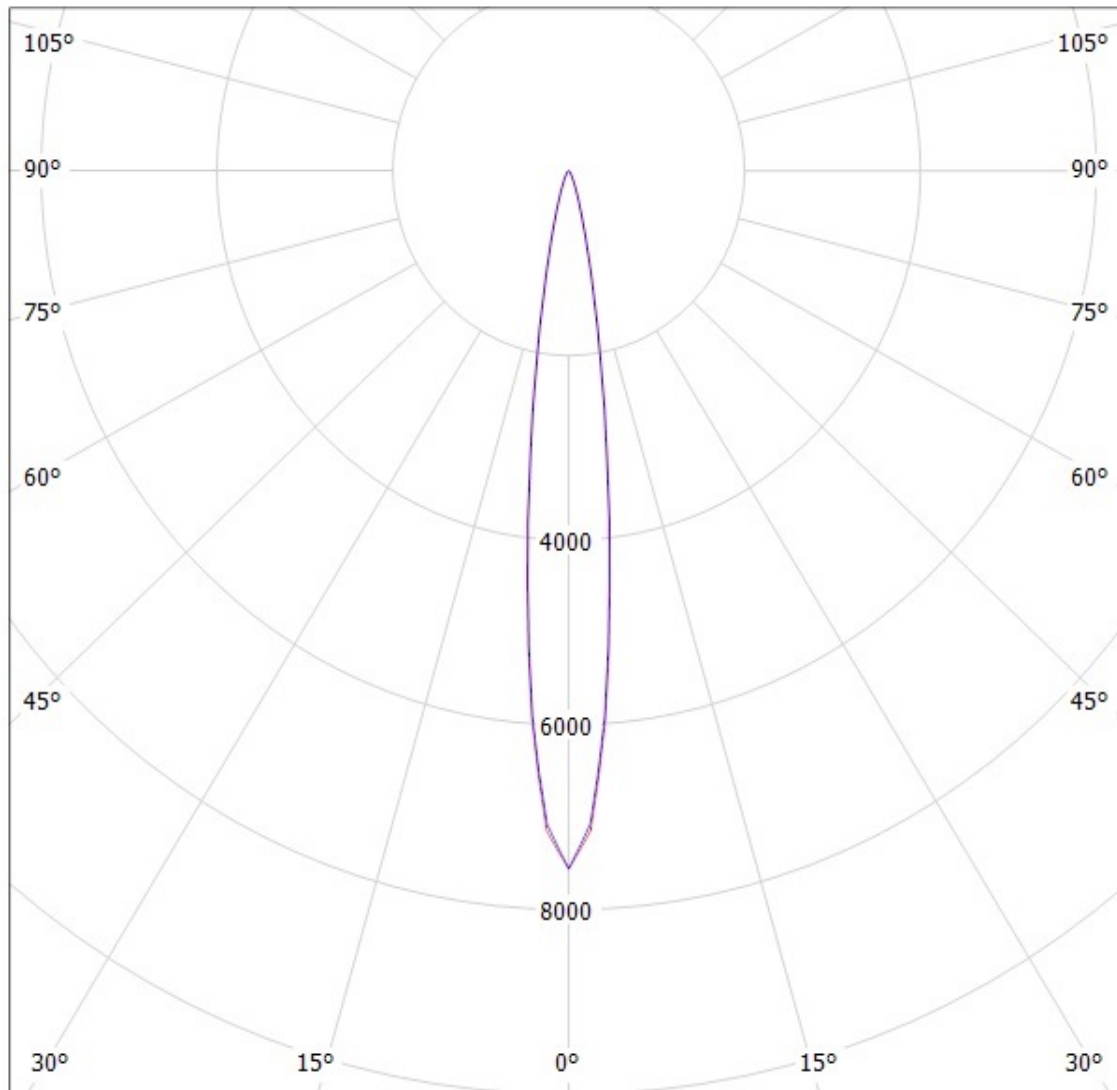
cd/klm

— C0 - C180

— C90 - C270

Ledil Oy CA12242_Heidi-SS-OSL150 CA12242_Heidi-SS-OSL150 Osram SSL150 111lm @ 250 mA
LOR=91% / LDC (Polar)

Luminaire: Ledil Oy CA12242_Heidi-SS-OSL150 CA12242_Heidi-SS-OSL150 Osram SSL150 111lm @ 250 mA LOR=91%
Lamps: 1 x Osram SSL150 111lm @ 250 mA



cd/klm

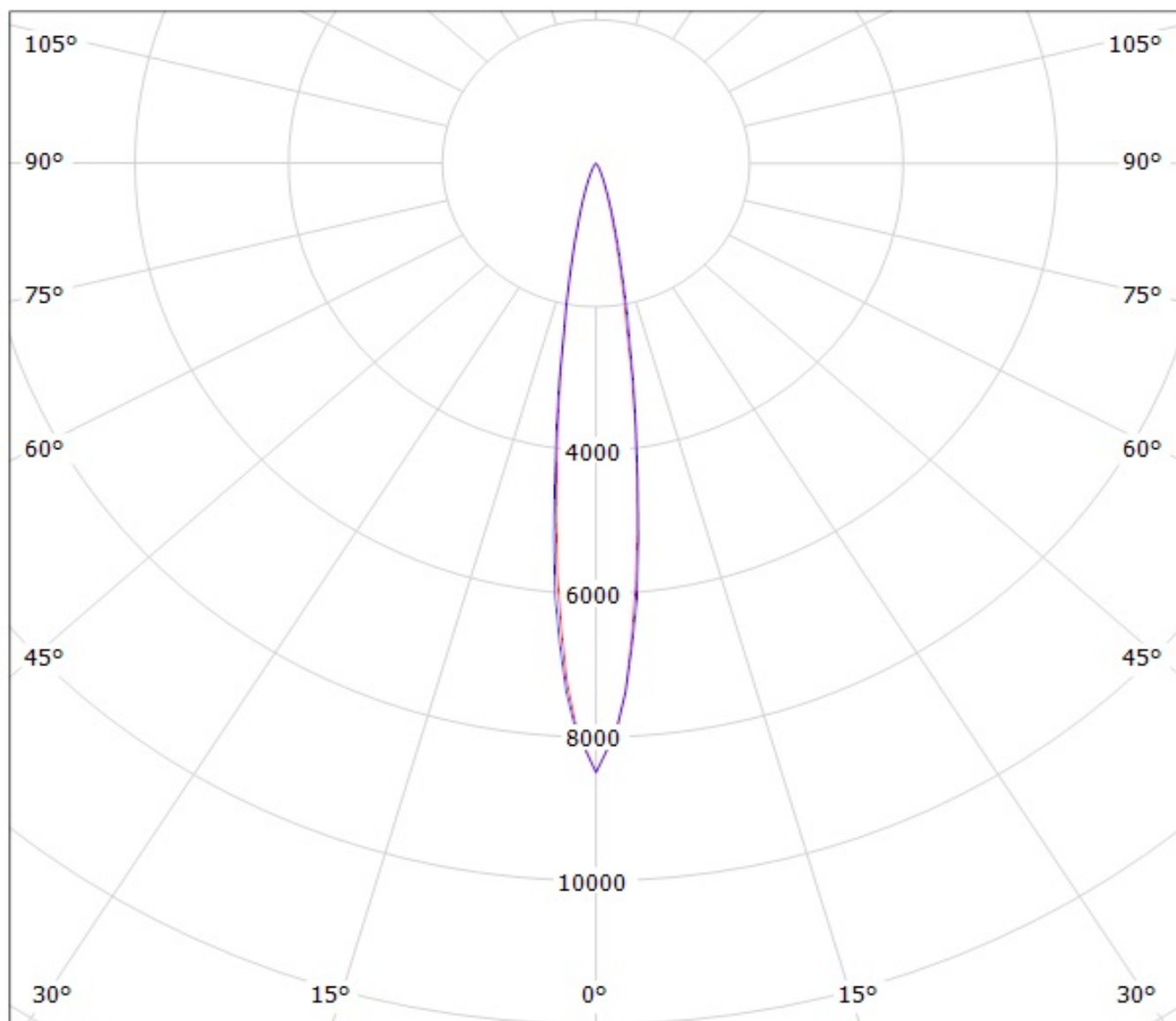
— C0 - C180

— C90 - C270

SIMULATED

Luminaire: Ledil Oy CA12242_HEIDI-SS_(NCSxx19B) Efficiency=86%

Lamps: 1 x Nichia NCS19xx19B (NCSL119BE) 88lm @ 250mA CCT=3000K P=0.8W I=250mA



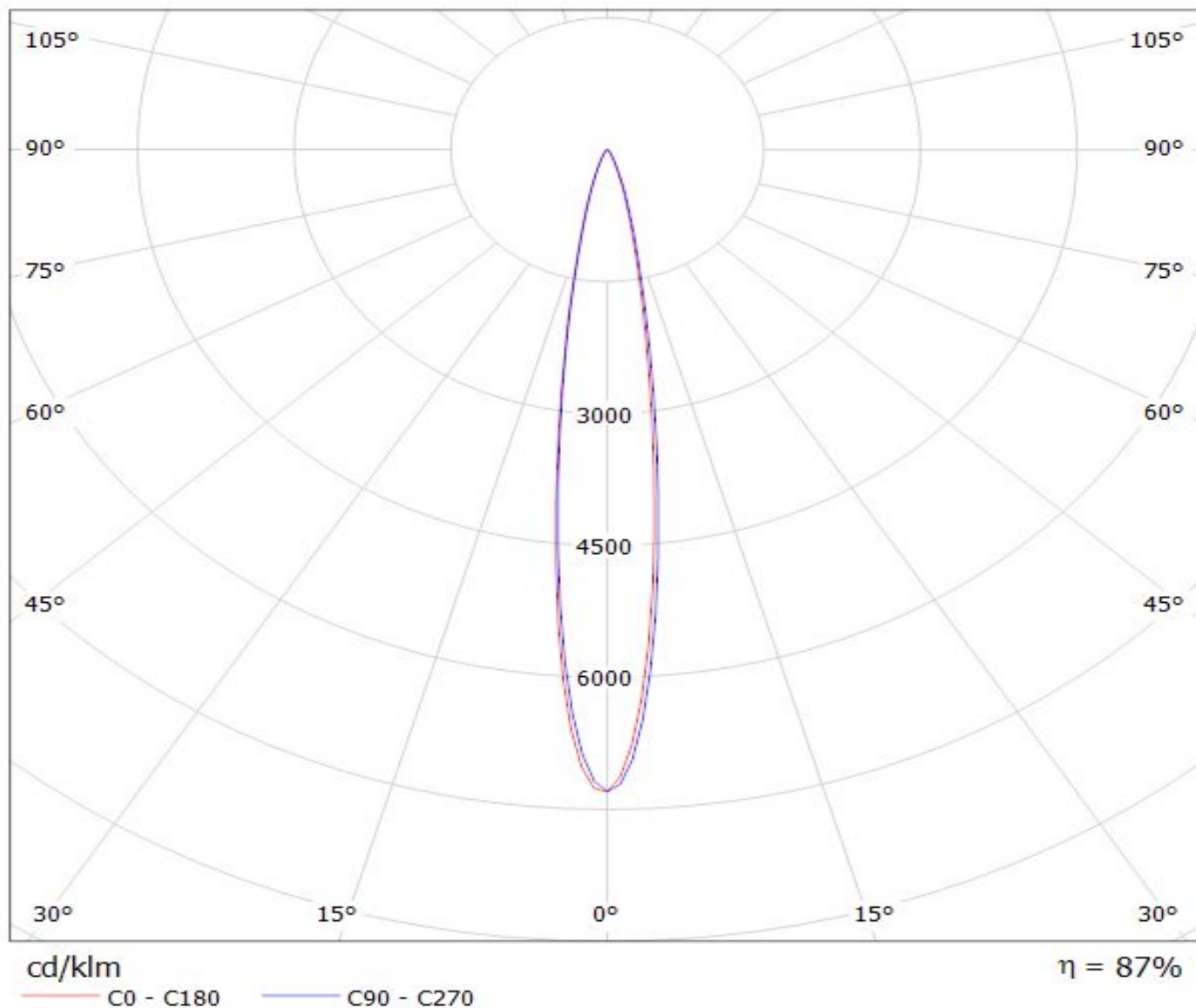
cd/klm

— C0 - C180

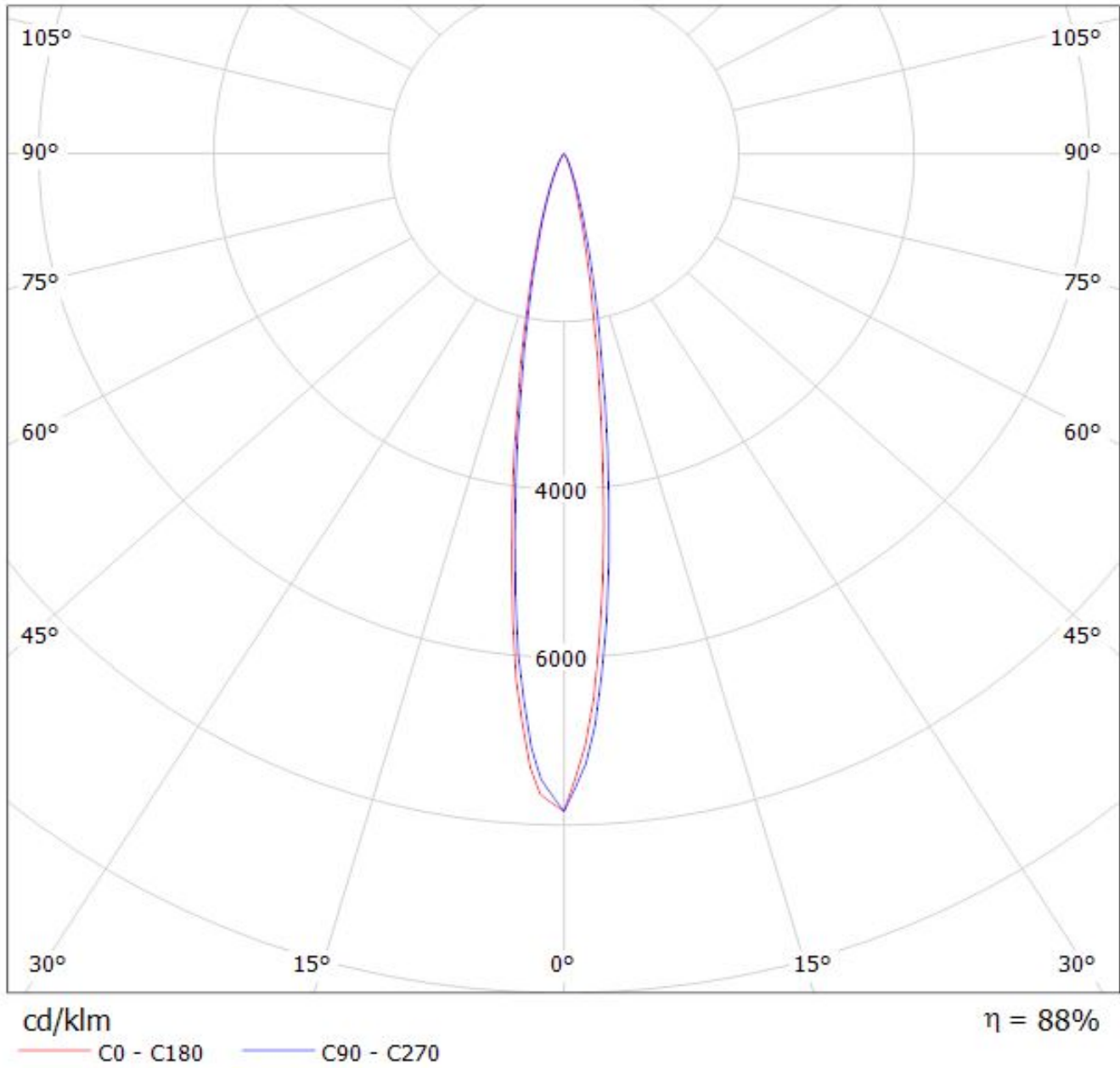
— C90 - C270

LEDiL Oy CA12242_HEIDI-SS_(LUXEON_T)_1 Eff.87.0% / LDC (Polar)

Luminaire: LEDiL Oy CA12242_HEIDI-SS_(LUXEON_T)_1 Eff.87.0%
Lamps: 1 x LUXEON T (74lm@250mA)

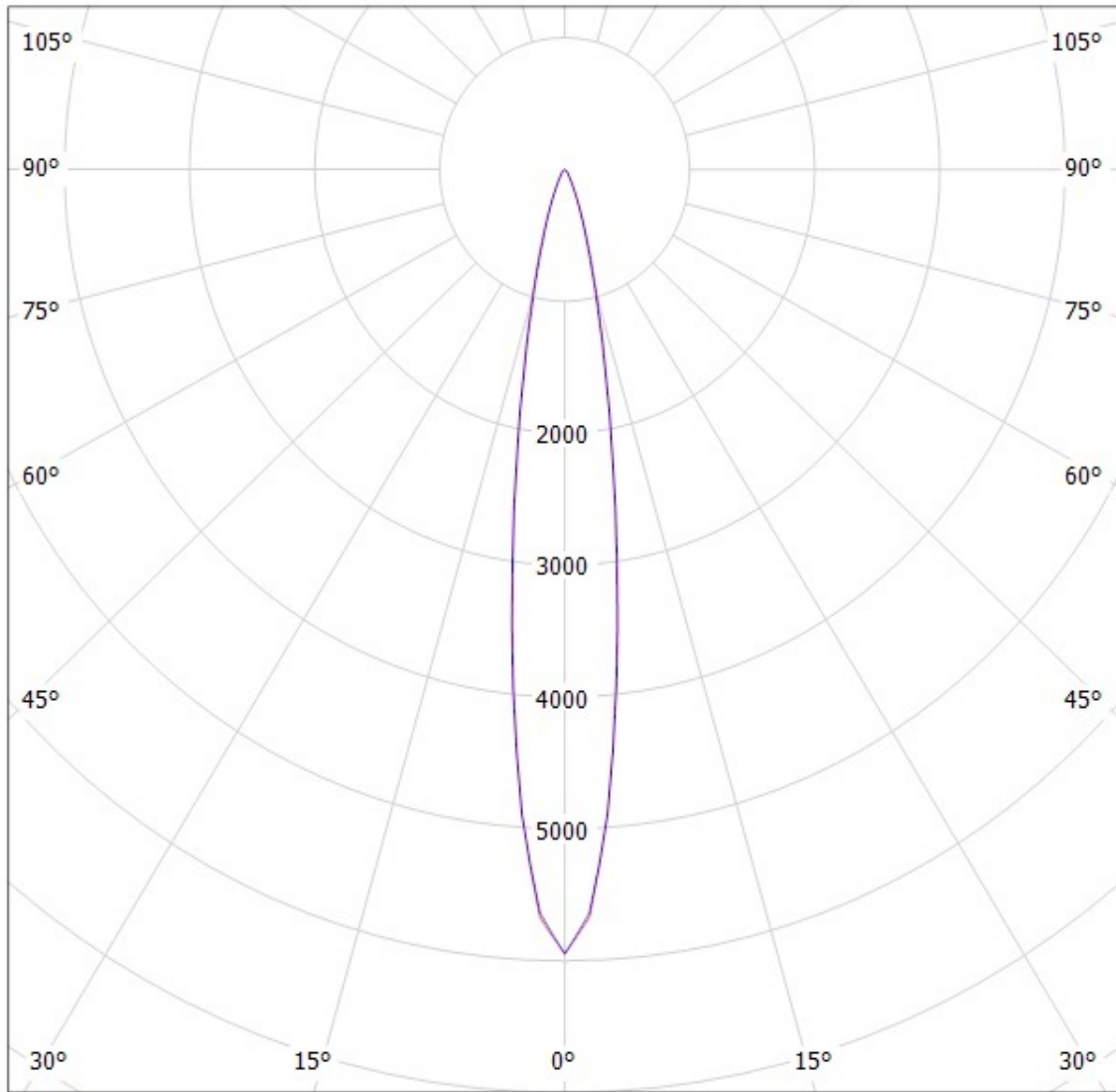


Luminaire: Ledil Oy CA12242_HEIDI-SS_(Luxeon_TX) Efficiency=86%
Lamps: 1 x Luxeon TX (L1T2-3585) 108lm @ 250mA CCT=3521K P=0.73W I=250mA



Ledil Oy CA12242_Heidi-SS-XP-G CA12242_Heidi-SS-XP-G Cree XP-G (white) 91lm @ 250mA
LOR=92% / LDC (Polar)

Luminaire: Ledil Oy CA12242_Heidi-SS-XP-G CA12242_Heidi-SS-XP-G Cree XP-G (white) 91lm @ 250mA LOR=92%
Lamps: 1 x Cree XP-G (white) 91lm @ 250mA

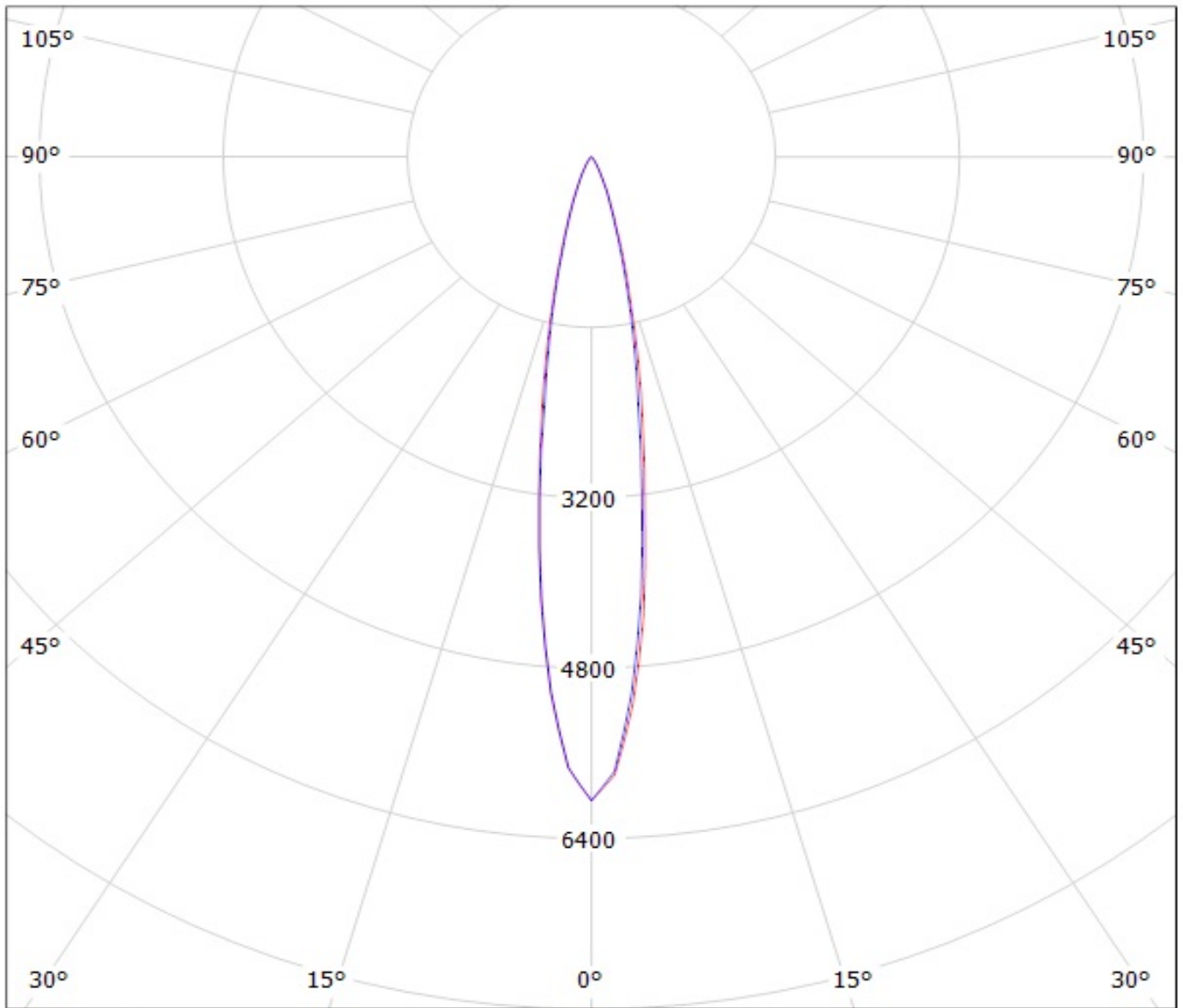


cd/klm

— C0 - C180 — C90 - C270

SIMULATED

Luminaire: Ledil Oy CA12242_HEIDI-SS (Nichia 219B 109lm @ 250mA) Efficiency=87%
Lamps: 1 x Nichia 219B 109lm @ 250mA



cd/klm

— C0 - C180

— C90 - C270

NOTE: The typical divergence will be changed by different color, chip size and chip position tolerance. The typical total divergence is the full angle measured where the luminous intensity is half of the peak value.