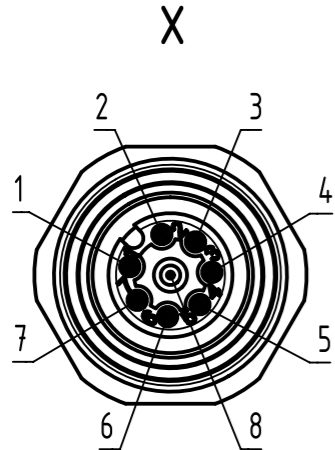


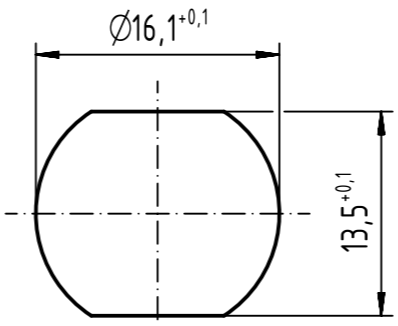
M12 A-coded 8-poles, female straight PFT connector



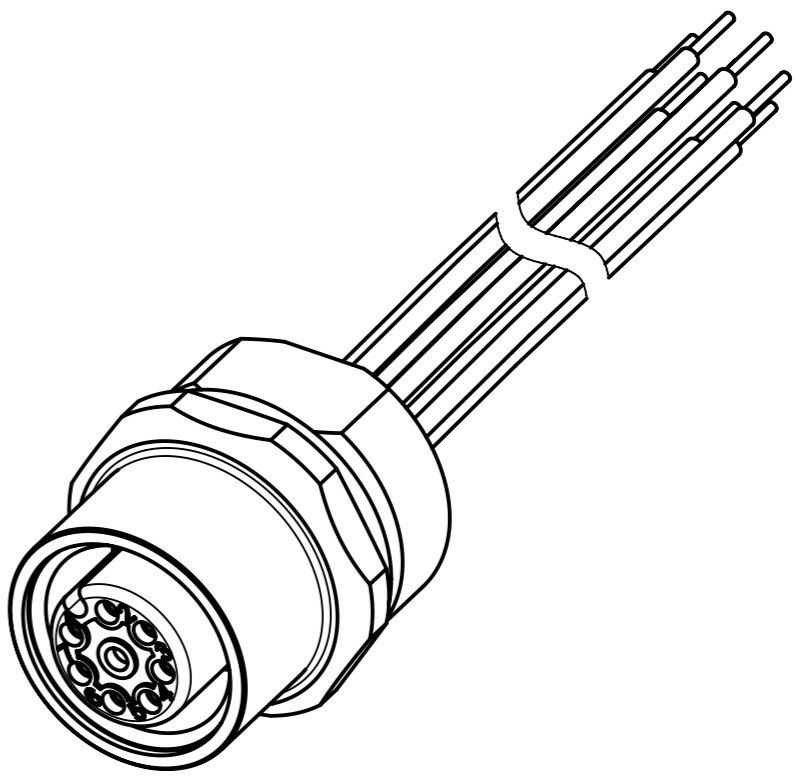
Loading-Plan:

- 1 white
- 2 brown
- 3 green
- 4 yellow
- 5 grey
- 6 pink
- 7 blue
- 8 red

Recommended panel cut-out



Minimum wall thickness 1.5mm



- Protection level: IP67
 - Temperature range: -30°C ... +80°C

1	21033176805	AWG 24, PVC	0.5
Cont. No.	Part - no.	Type of cable	Dim. a[m]

All rights reserved Department EC PD - RO HARTING Electronics GmbH D-32339 Espelkamp	All Dimensions in mm Original Size DIN A3	Scale 2:1 Free size tol.	Ref. Sub.
	Created by TAMAS Inspected by AVRAM Standardisation HOFFMANN Date 2014-08-25 State Final Release	Title M12 A-coded Cable Assembly Type TB Number 210331768XX	Doc-Key / ECM-Nr. 100581423/UGD/009/B 50000079096 Rev. B Page 1/1