

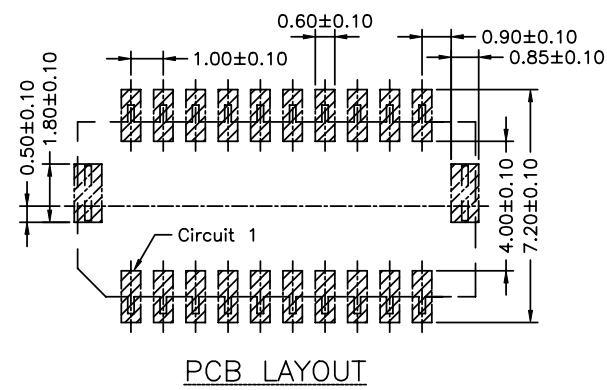
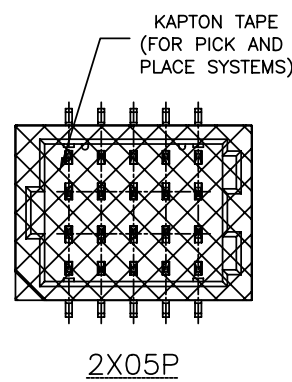
**P/N LEGEND**

	A1001	WV-S	2XNP	XXX
	①	②	③	④

- Series No.
- Connector type: WV=Vertical
- Mounting type: SF=SMT without post
- No. of circuits
- Option code:  
Blank=Contacts/Gold-flash and Solder tabs/Matte Tin-plated  
D01=Contacts/Gold-flash and Solder tabs/Gold-flash

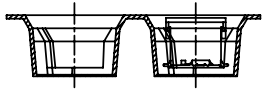
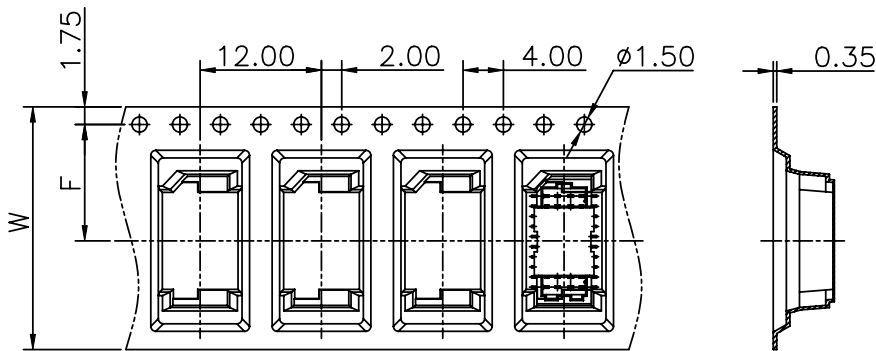
**SPECIFICATIONS**  
 Current Rating: 1A AC,DC  
 Voltage Rating: 50V AC,DC  
 Temperature Range: -25°C ~ +85°C  
 Contact Resistance: 20mΩ Max.  
 Insulation Resistance: 100MΩ Min.  
 Withstanding Voltage: 500V AC/minute  
 Pin Material: Phosphor Bronze/Gold-flash  
 Solder Tabs: Brass/Tin-plated or Gold-flash  
 Wafer: Nylon 6T,UL94V-0  
 Cap: Nylon 6T,UL94V-0,Natural(Beige)  
 Color: Natural(Beige)

Circuit No.	Dimensions	
	A	B
2X05P	4.00	7.30
2X06P	5.00	8.30
2X08P	7.00	10.30
2X10P	9.00	12.30
2X15P	14.00	17.30
2X20P	19.00	22.30
2X25P	24.00	27.30



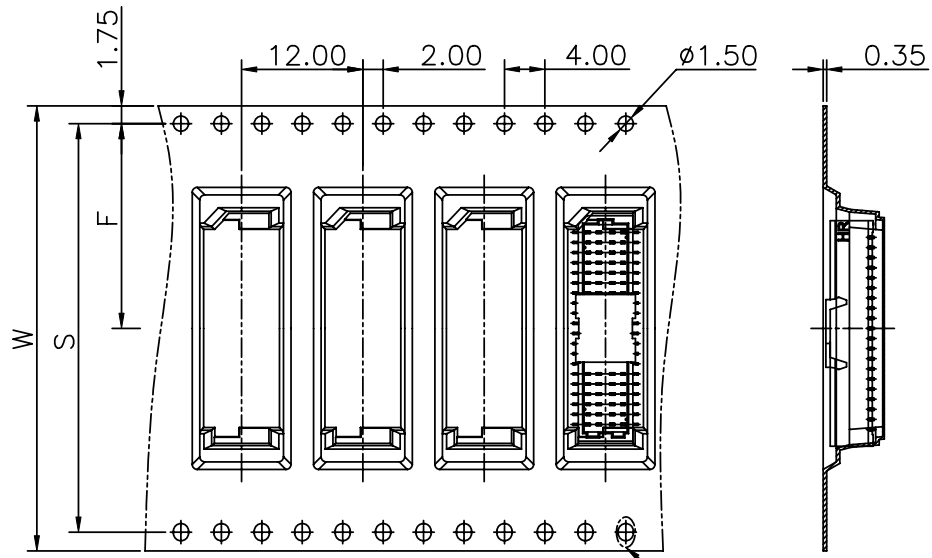
						<b>燦達電子工業股份有限公司</b> <b>JOINT TECH ELECTRONIC IND. CO., LTD.</b>		
UNIT	SCALE	SHEET	TITLE:					
mm	1 : 1	1 of 3	<b>1.00mm PITCH</b> <b>180° WAFER-SMT TYPE,</b> <b>DUAL ROW</b>					
DRAWN BY		APPROVED BY						
董正一		董正一						
2003.04.04		2003.04.04		DRAW NO.: <b>A1001WV-S-2XNP</b>				
GENERAL TOLERANCE								
B4	EN1203080049	2012.03.26	謝金發	X.X±0.25	REV. B4			
B3	EN1007020220	2010.07.02	陳敏	X.XX±0.15				
REV.	DESCRIPTION	DATE	NAME	X.XXX±0.05				

2X05~2X10 Contacts

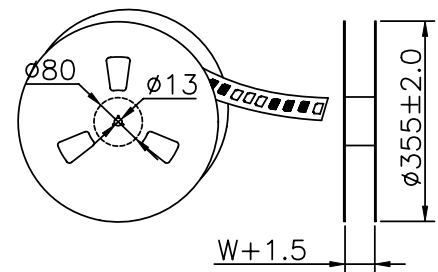
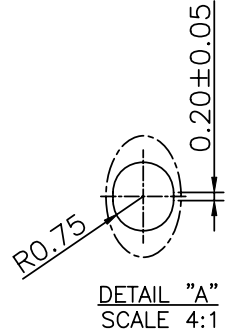
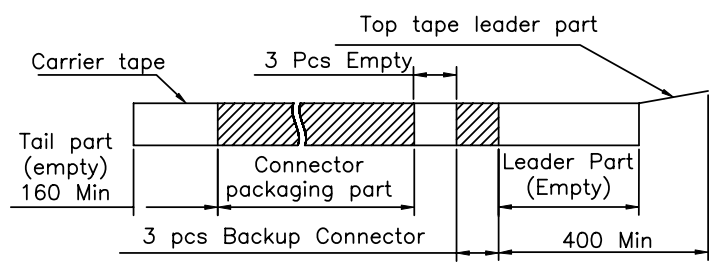


Unreeling direction →

2X20~2X25 Contacts



Unreeling direction →

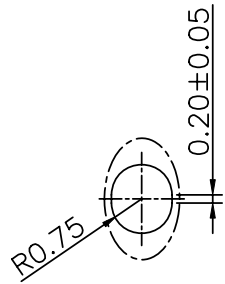
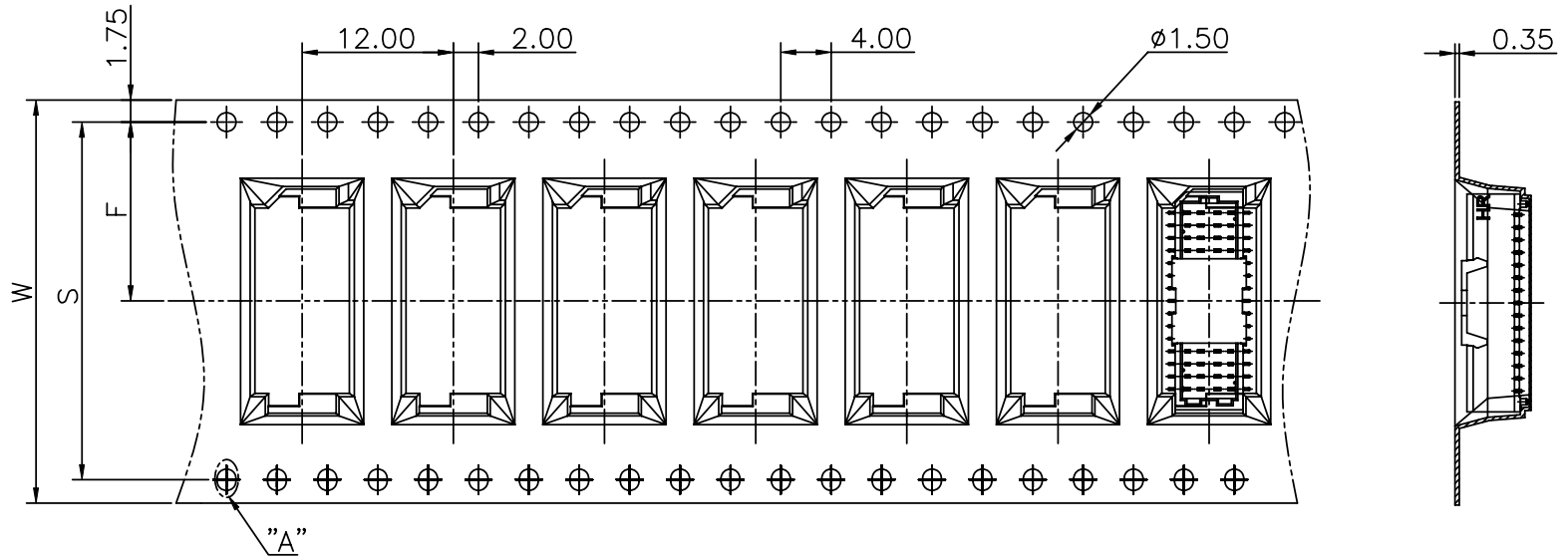


Number of Contacts	W±0.3	F±0.1	S±0.1	Q'ty/Reel
2X05P	24	11.50	/	1,000
2X06P	24	11.50		1,000
2X08P	24	11.50		1,000
2X10P	24	11.50		1,000
2X20P	44	20.20	40.40	1,000
2X25P	44	20.20	40.40	1,000

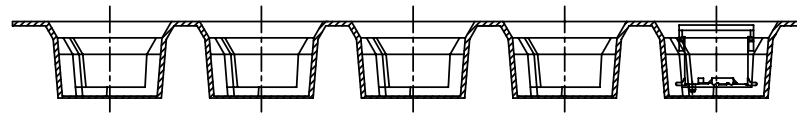
NOTE:  
Material: Transparent  
Anti-static Polystyrene.

				UNIT		SCALE		SHEET		TITLE:	
				mm		1 : 1		2 of 3			
				DRAWN BY				APPROVED BY			
				董正一				董正一			
				2004.11.15				2004.11.15			
GENERAL TOLERANCE											
				X. X±0.25		ANGLE±		DRAW NO. : A1001WV-S-2XNP			
				X. XX±0.15							
				X. XXX±0.05							
REV.	DESCRIPTION			DATE		NAME					

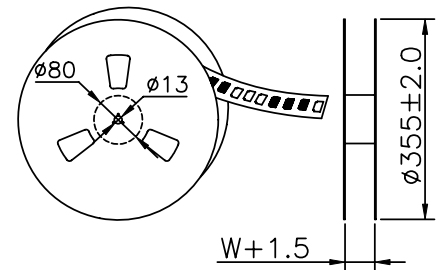
# 2X15 Contacts



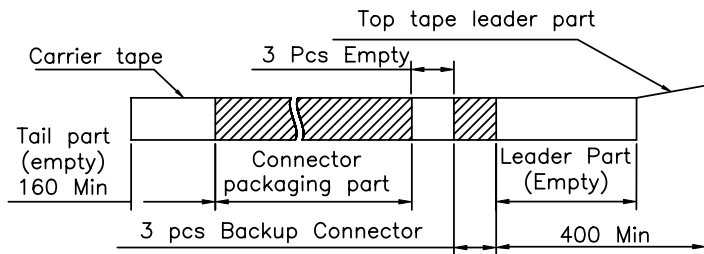
DETAIL "A"  
SCALE 4:1



Unreeling direction →



NOTE:  
Material: Transparent  
Anti-static Polystyrene.



Number of Contacts	W±0.3	F±0.1	S±0.1	Q'ty/Reel
2X15P	32	14.20	28.40	1,000

				UNIT	SCALE	SHEET	TITLE:
				mm	1 : 1	3 of 3	
DRAWN BY		APPROVED BY		1.00mm PITCH 180° DUAL ROW WAFER- SMT TYPE, W/O BOSS, TAPING SPEC.			
謝金發		董正一					
2012.03.26		2012.03.26		DRAW NO. :			
GENERAL TOLERANCE				A1001WV-S-2XNP			
B4	EN1203080049	2012.03.26	謝金發	X. X±0.25	ANGLE±	REV. B4	
REV.	DESCRIPTION	DATE	NAME	X. XX±0.15			
				X. XXX±0.05			