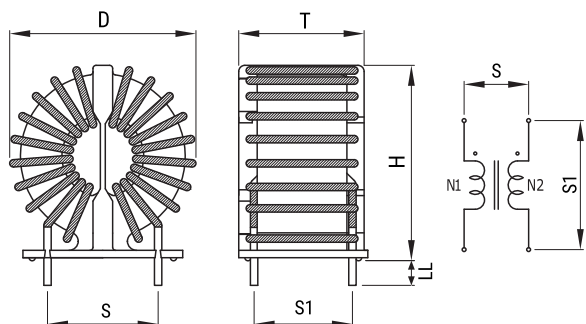


KEMET Part Number: SC-05-80J
(UALSC0580J0000)

KEMET, SC-J, AC Line Filters, Common Mode, 8000 μ H



Dimensions

| | |
|-----------|------------|
| D | 34mm MAX |
| T | 23mm MAX |
| H | 33mm MAX |
| LL | 5mm +/-2mm |
| S | 18mm NOM |

Packaging Specifications

| | |
|----------------------------|------|
| Packaging: | Tray |
| Packaging Quantity: | 200 |
| Weight: | 42 g |

General Information

| | |
|-----------------------|---|
| Series: | SC-J |
| Style: | Through-Hole |
| RoHS: | Yes |
| Notes: | Lead Spacing (S/S1) Are For Reference Only. |
| Miscellaneous: | Temperature Rise Maximum: 60 K |

Specifications

| | |
|---------------------------|----------------|
| Voltage AC: | 250 VAC |
| Inductance: | 8 mH (100 kHz) |
| Current: | 4 A |
| Temperature Range: | -25/+120°C |
| DC Resistance: | 90 mOhms |