



Technical data // **PT65 5 02 L508 -**

Rotary Code Switch

Left angular 5.08mm pitch



Highlights

- Solid PCB pins
- Contacts with abrasion resistant hard gold plating
- Extra sealed design
- Switches are solder and flux sealed and washable
- Excellent detent, once more improved
- 100 % electronic inspection and testing

Mechanical Data

Type	vertical
Fixation mode	THT
Height	10.0 mm
Length	11.88 mm
Width	10.0 mm
Pin connection	3+3
Perm. ambient temperature	-20 °C ... +70 °C
Perm. storage temperature	-40 °C ... +85 °C
Torque	(typically) 1.7 Ncm
Mechanical lifetime	30.000 steps
Degree of protection	comparable IP67
Sealing	O-Ring
Humidity	21 days at 40 °C, 93 %RH
Wave soldering	Double Wave acc. DIN EN 61760-1:2006
Iron soldering	2 s / 340 °C
Sinus-vibration testing	acc. IEC 68-2-6
Frequency range	10 Hz ... 500 Hz ... 10 Hz, sliding
Amplitude	6.0 mm
Acceleration	10.0 g
Shock testing	acc. IEC 68-2-27
Shock acceleration amplitude	50.0 g
Duration of nominal shock	11.0 ms
Directions	6 ($\pm x$, $\pm y$, $\pm z$) 3 times each



Technical data

// PT65 5 02 L508 -

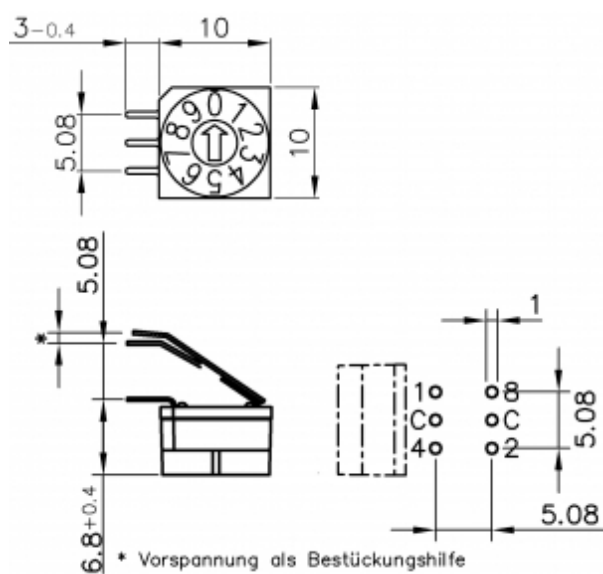
Rotary Code Switch

Left angular 5.08mm pitch

Electrical Data

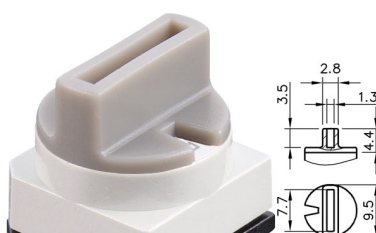
Operating voltage	$\leq 42.0 \text{ V}$
Standby current	$\leq 0.2 \text{ A}$
Contact load, dynamic	$\leq 0.15 \text{ A}$
Minimum load	$1.0 \mu\text{A } 20\text{mVDC}$
Test voltage	$250.0 \text{ V } 50 \text{ Hz } / 1.0 \text{ min}$
Contact resistance	$< 80.0 \text{ m}\Omega$
Insulation resistance	$> 100.0 \text{ M}\Omega$

Technical Drawing



Configuration

Actuators



Segment wheel



Technical data

// PT65 5 02 L508 -

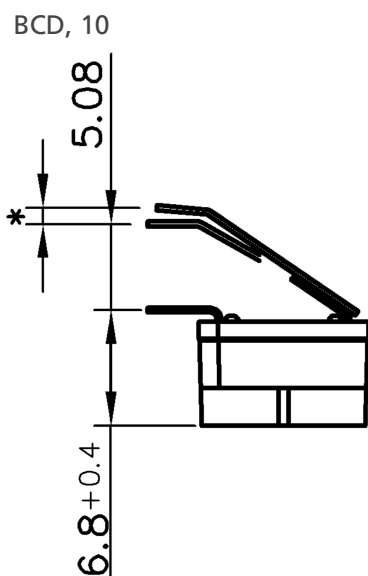
Rotary Code Switch

Left angular 5.08mm pitch

Codes

BCD Complement						
Typ 02						
	C	$\bar{1}$	$\bar{2}$	$\bar{4}$	$\bar{8}$	
0	●	●	●	●	●	0
1	●		●	●	●	1
2	●	●		●	●	2
3	●			●	●	3
4	●	●	●		●	4
5	●		●		●	5
6	●	●			●	6
7	●				●	7
8	●	●	●	●		8
9	●		●	●		9

Contact pins



Left angular 5.08 mm



PTR HARTMANN

A Phoenix Mecano Company

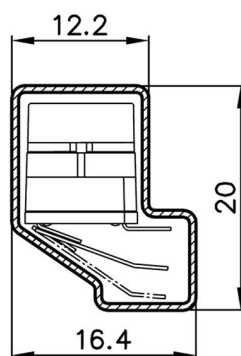
Technical data

// **PT65 5 02 L508 -**

Rotary Code Switch

Left angular 5.08mm pitch

Packing depending on acutator



Tube PT65 5...L508