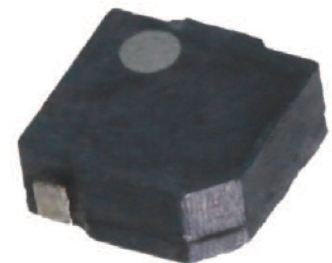


# loudity

## SMT54

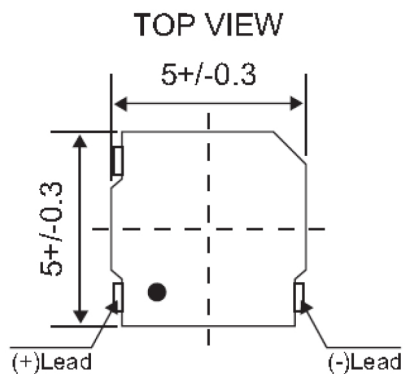


### MATERIALS

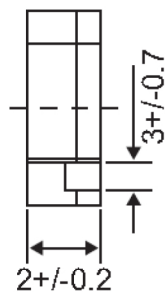
Color - Black  
Plastic Material - LCP  
Terminal - SMD Type

### Weight

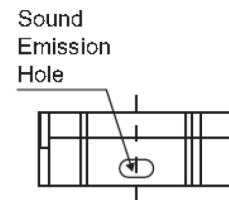
approx. 0.2 gm.



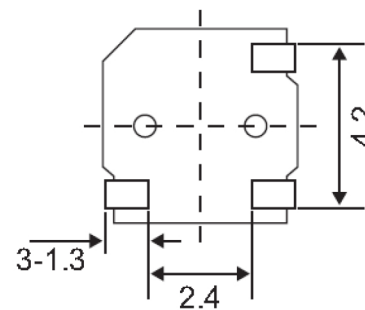
SIDE VIEW 1



SIDE VIEW 2



BOTTOM VIEW



All dimensions are in mm  
Unspecified Tolerance are +/-0.5mm

Model	Unit	LD-BZEL-T54-0505
Operating Voltage	Vo-p	2 ~ 4
Rated Voltage	Vo-p	3
* Max. Rated Current	mA.	100
Coil Resistance	ohm	12 +/- 3
* Min. Sound Output at 10cm	dBA	78
Resonant Frequency	Hz	4000
Operating Temperature	°C	-20 ~ +60