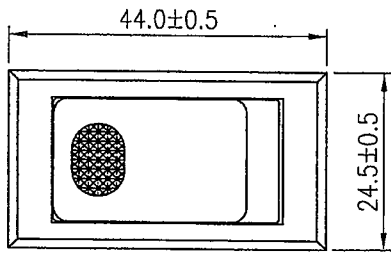
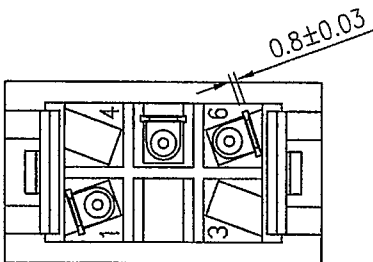
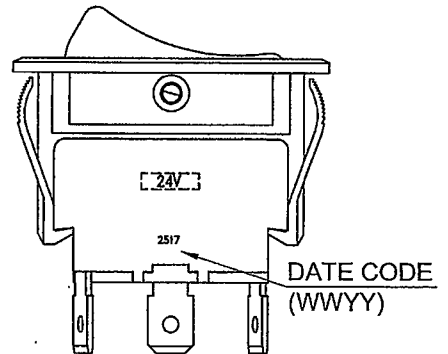
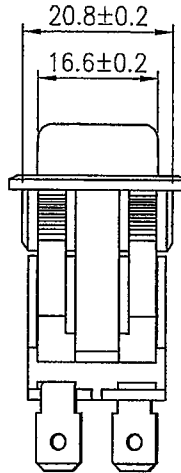
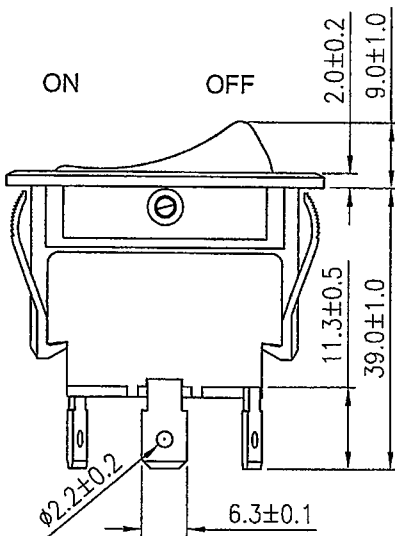


Rating	20A 12VDC	Mounting Hole		Circuit Diagram
Contact Resistance	50m ohm Max.			
Insulation Resistance	DC 500V 100M ohm Min.			
Dielectric Strength	AC 1500V 1 minute			
Operation Temperature	900±300g	Thickness	X	Y
Switch Function	3P SPST ON-OFF(Bulb dependent)	0.75...1.25	21.2+0.1	37.3-0.1
		1.25...2	21.2+0.1	37.5-0.1
		2...3	21.2+0.1	37.9-0.1



Material:
 Frame: Black , PBT
 Actuator: Black , Nylon66+33%GF
 Lens: Yellow, PC
 Printed: None



1 - Tolerances ±0.3 Unless Otherwise Specified

						△	
						△	
Date	Name	Description				No.	
Drawn	Checked	Approved	SCI BOM No.	1821439	Model Name	ROCKER SWITCH	
曾敏捷	<i>[Signature]</i>	<i>Simon</i>	Customer No.		Model No.	R13-220BA-01	Rev.
06/21/17	<i>[Signature]</i>	<i>6/24-17</i>	Unit	mm	Shin Chin Industrial Co., Ltd.		0