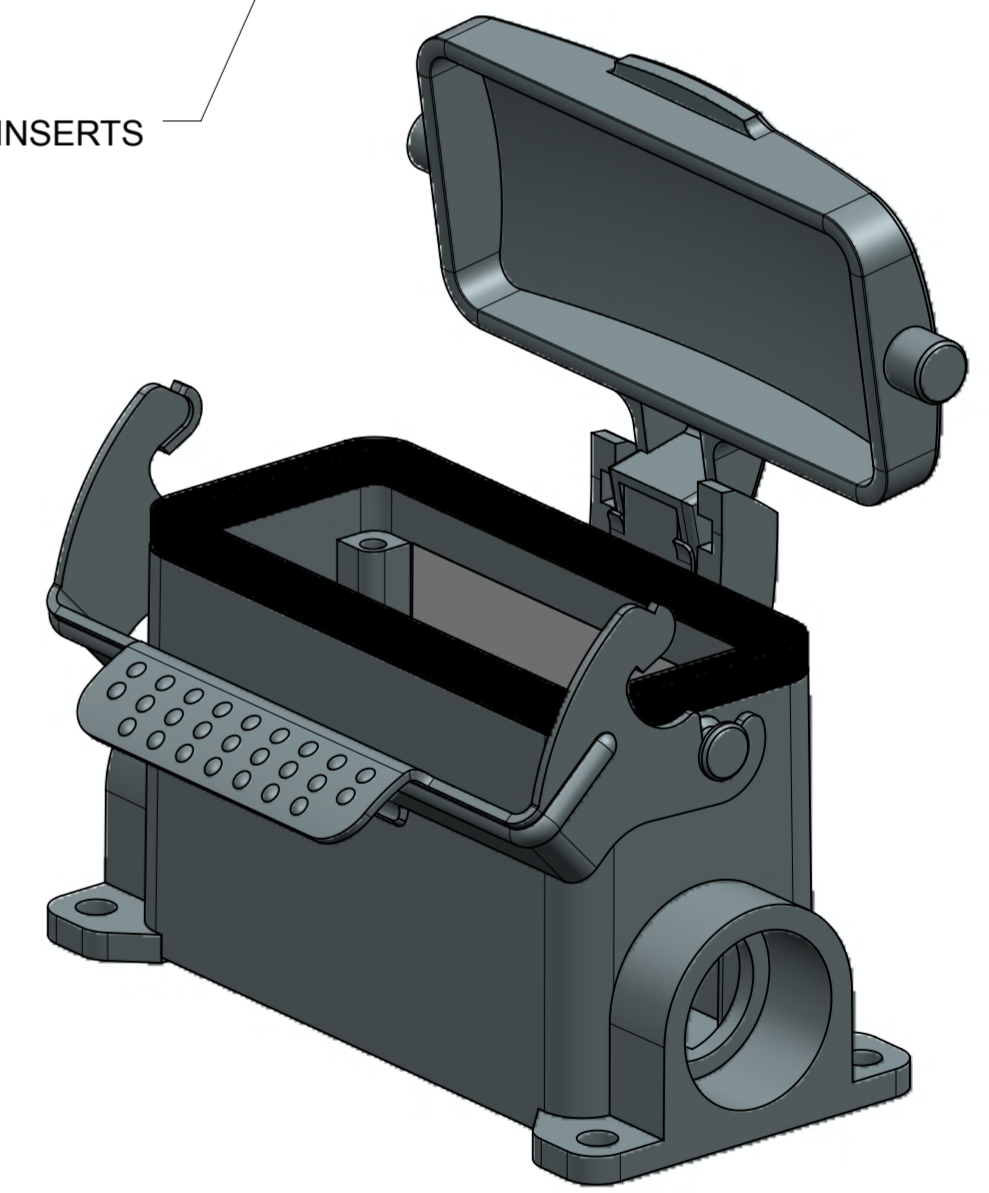
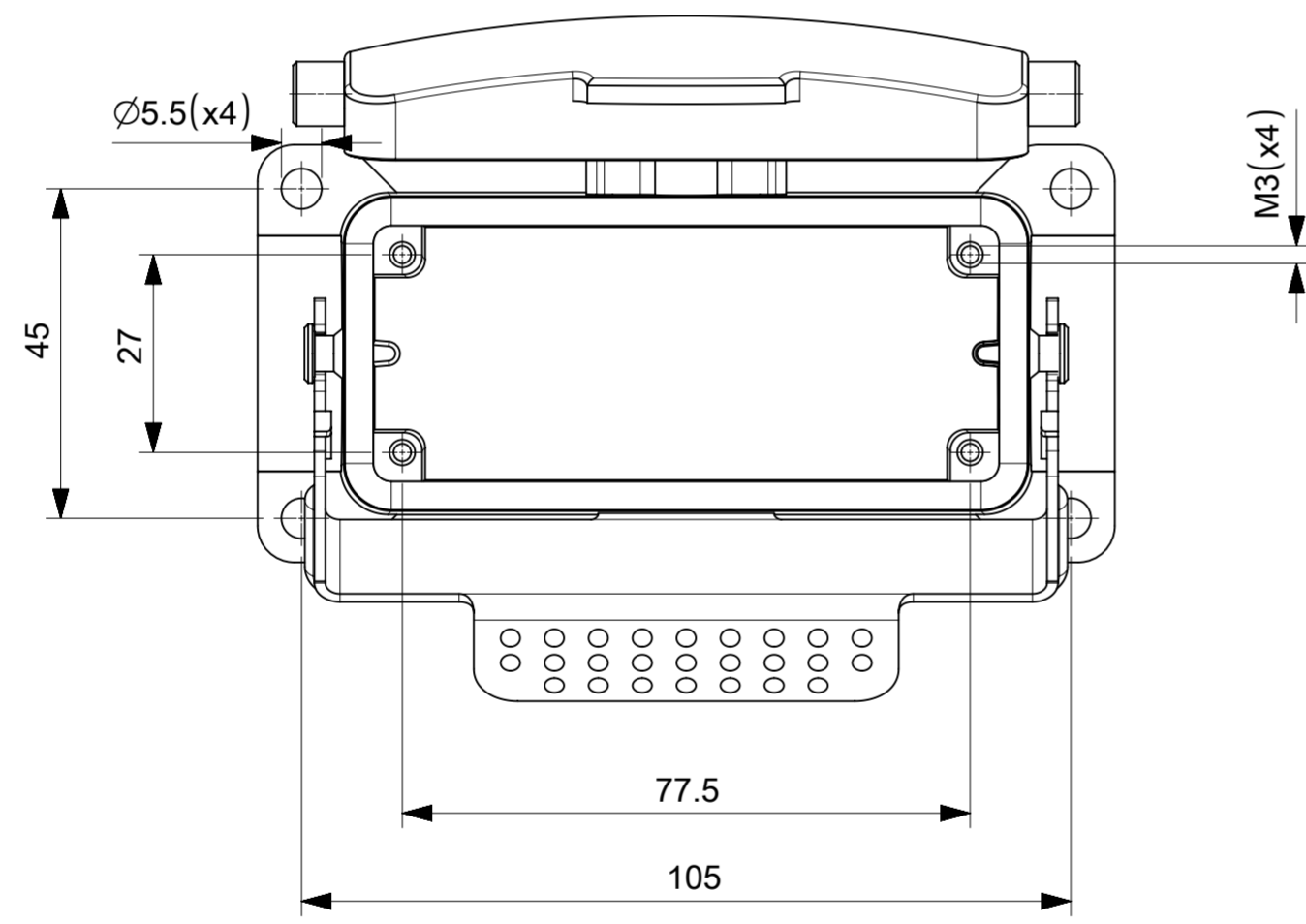
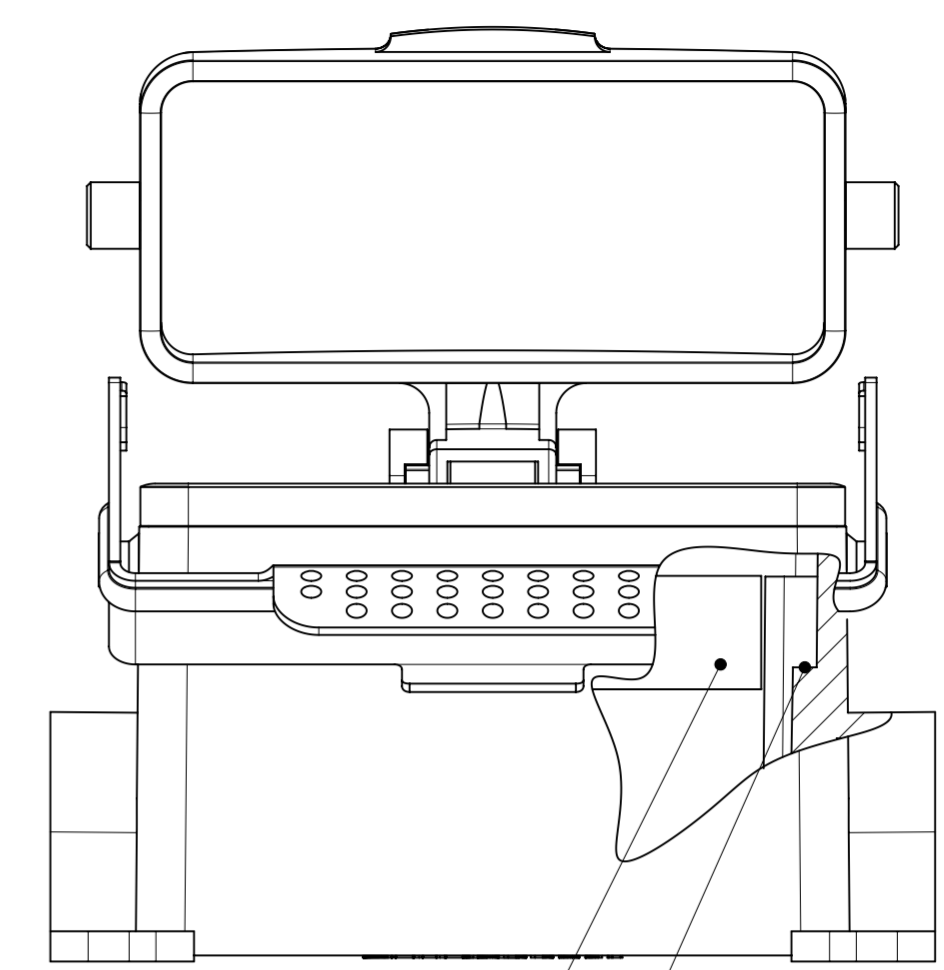
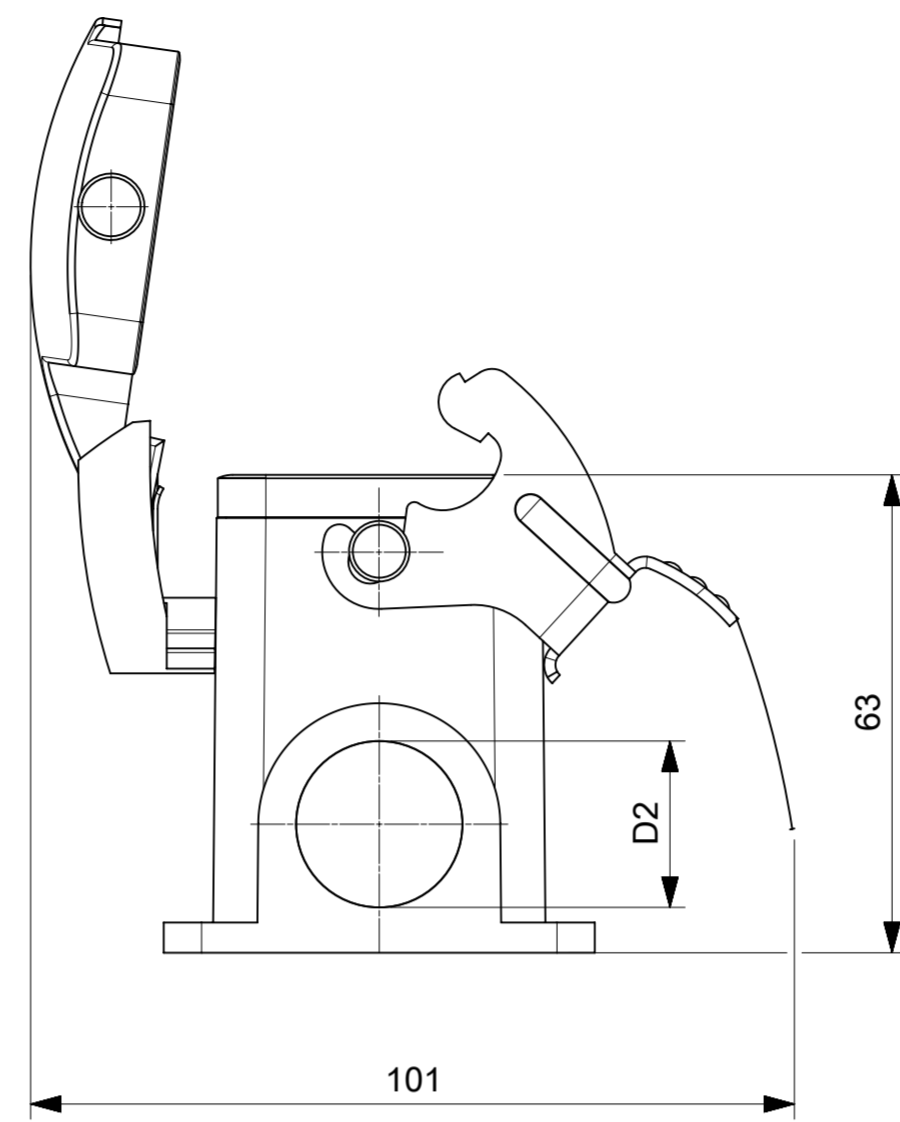
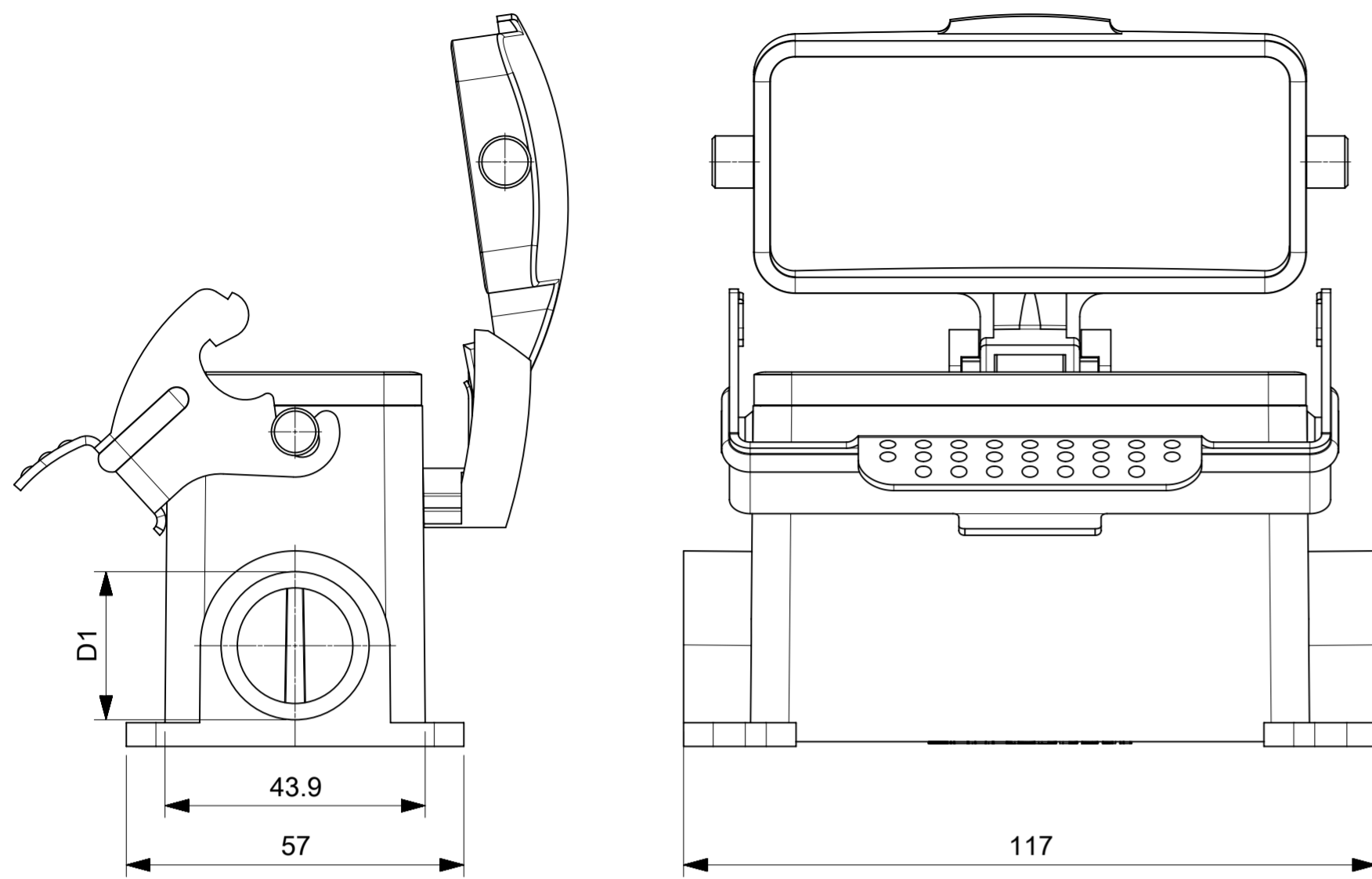


STANDARD VERSION

STANDARD HIGH VOLTAGE VERSION



SAP.No	Eng.No.	TYPE	D1	D2
936012555	7816.6365.0	STANDARD	M 25	-
936012558	7816.6366.0	STANDARD	M 25	M 25
936012533	7816.6315.0	STANDARD	Pg 21	-
936012536	7816.6316.0	STANDARD	Pg 21	Pg 21
936012557	7816.6365.2	STANDARD HIGH VOLTAGE	M 25	-
936012560	7816.6366.2	STANDARD HIGH VOLTAGE	M 25	M 25
936012535	7816.6315.2	STANDARD HIGH VOLTAGE	Pg 21	-
936012538	7816.6316.2	STANDARD HIGH VOLTAGE	Pg 21	Pg 21

SYMBOLS		THIS DRAWING CONTAINS INFORMATION THAT IS PROPRIETARY TO MOLEX ELECTRONIC TECHNOLOGIES, LLC AND SHOULD NOT BE USED WITHOUT WRITTEN PERMISSION	
▽ = 0	DIMENSION UNITS	SCALE	CURRENT REV DESC:
▽ = 0	mm	1:1	
▽ = 0	GENERAL TOLERANCES (UNLESS SPECIFIED)		
▽ = 0	ANGULAR TOL	± °	EC NO: 177920
▽ = 0	4 PLACES	±	DRWN: AKHEMIRI 2018/05/22
▽ = 0	3 PLACES	±	CHK'D: DMERONI 2018/05/29
▽ = 0	2 PLACES	±	APPR: AMELZI 2018/06/12
▽ = 0	1 PLACE	±	INITIAL REVISION:
▽ = 0	0 PLACES	±	DRWN: AKHEMIRI 2018/05/22
■ = 0	DRAFT WHERE APPLICABLE MUST REMAIN WITHIN DIMENSIONS		APPR: AMELZI 2018/06/12
▽ = 0	FIRST ANGLE PROJECTION	DRAWING	SERIES
		A2-SIZE	93601
DOCUMENT NUMBER		DOC TYPE	DOC PART
936012557		PSD	000
MATERIAL NUMBER		CUSTOMER	SHEET NUMBER
SEE TABLE		GENERAL MARKET	1 OF 1

molex

16B STANDARD AND HIGH VOLTAGE SURFACE HOUSING WITH COVER 1 LEVER

PRODUCT CUSTOMER DRAWING