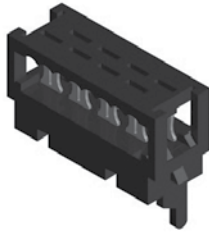


Micro Match Connector 1,27 mm

Series

372



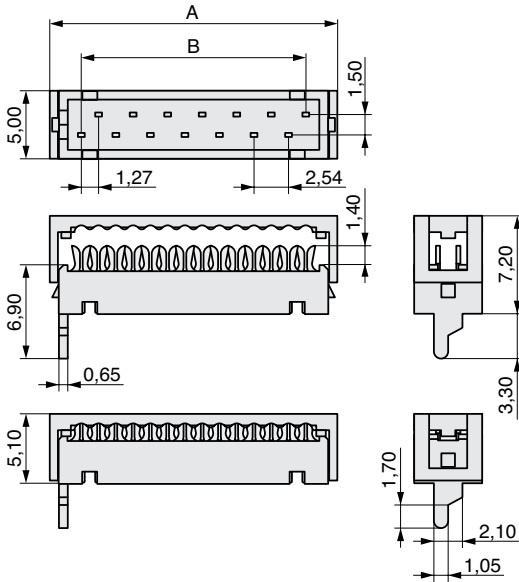
Rated current	1,0 A
Rated voltage	230 V _{RMS} / V _{Dc}
Withstand voltage	1000 V _{RMS} for 1 minute
Material contact	Phosphor bronze
Material insulator	Thermoplast UL94V-0
Operating temperature	-40°C to +125°C
Max. processing temper.	230°C for 5 seconds

pitch
1,27

max.
pincount
026

All dimensions in mm.

Variation

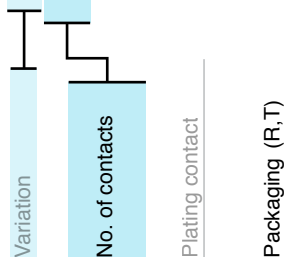


Compatible with industries standard.

Recommended cable: AWG 28 flat ribbon cable with 1,27 mm centerline.

no. of contacts	see figure left	see figure left
n	A	B
004	8,45	3,81
006	10,99	6,35
008	13,53	8,89
010	16,07	11,43
012	18,61	13,97
014	21,15	16,51
016	23,69	19,05
018	26,23	21,59
020	28,77	24,13
022	31,31	26,67
024	33,85	29,21
026	36,39	31,75

Plating: T = Sn
Packaging: R = Reel, T = Tube



www.mpe-connector.de

Order code:

372-1-???-T-K??0

Mating series	369	374
see page	4-12	4-13

Product group
6

CS280814_V4