

4

3

2

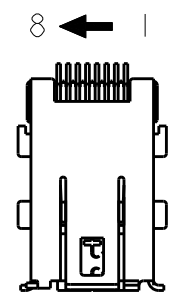
1

THIS DRAWING IS UNPUBLISHED. RELEASED FOR PUBLICATION

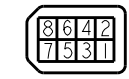
© COPYRIGHT - BY - ALL RIGHTS RESERVED.

REVISIONS

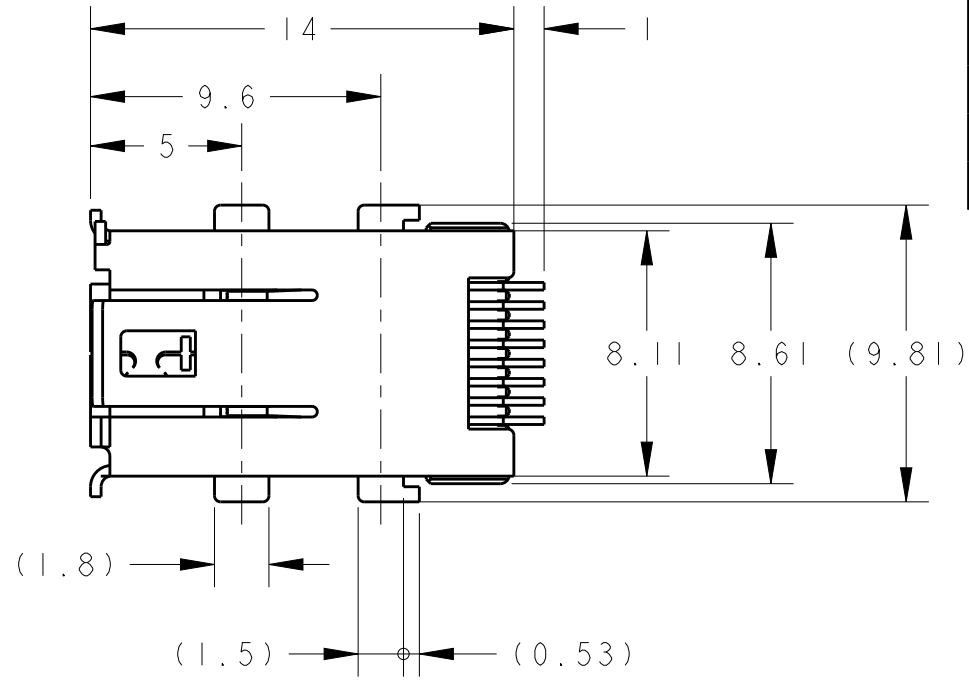
P	LTR	DESCRIPTION	DATE	DWN	APVD
	A	RELEASED	13NOV2007	S.I	I.H
	AI	REVISED	30MAY2008	S.I	I.H
	B	REVISED PER ECR-17-014980	01MAY2018	TS	EI



D-SHAPE TYPE I



CIRCUIT NO.



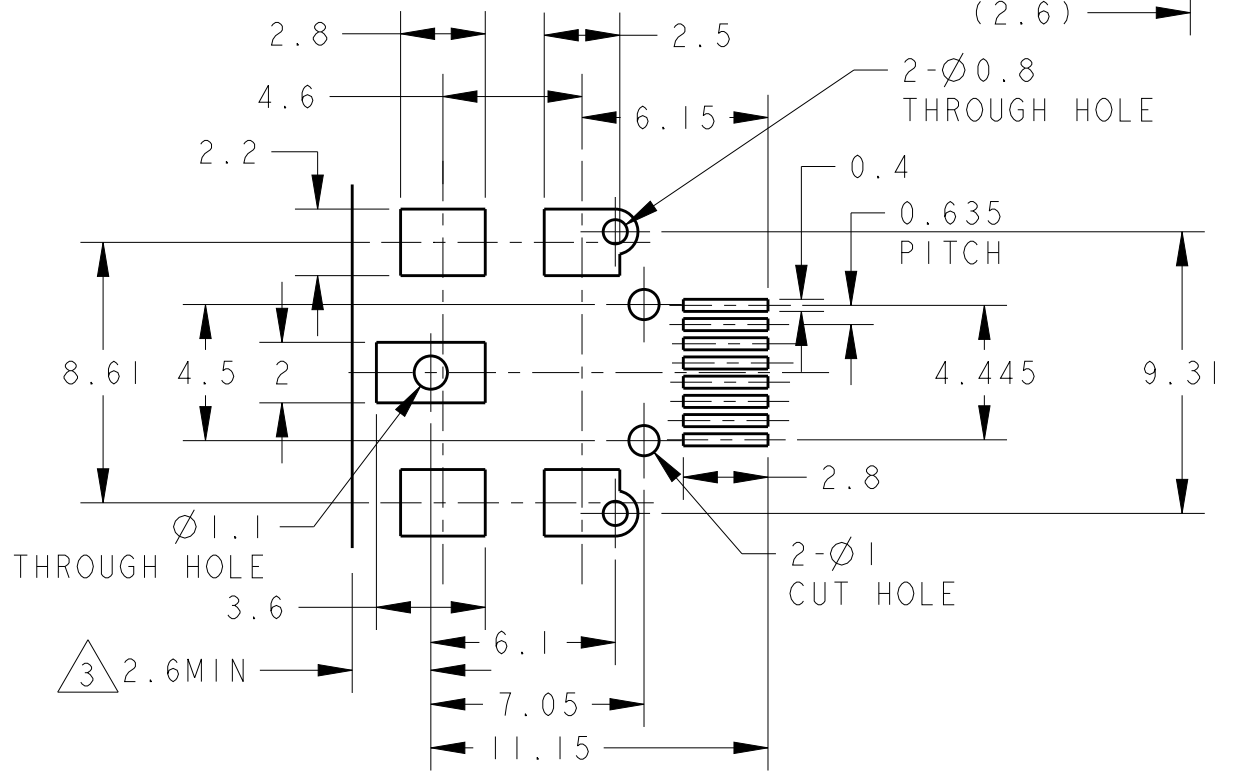
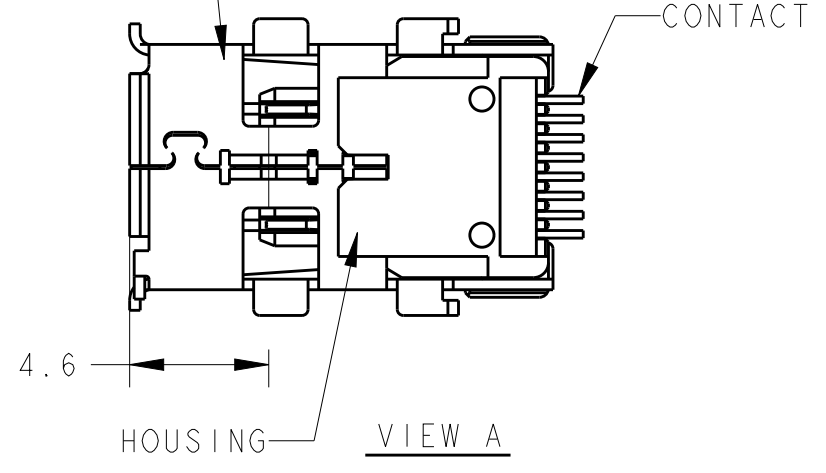
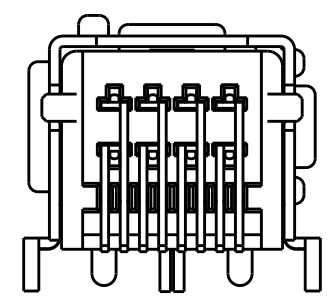
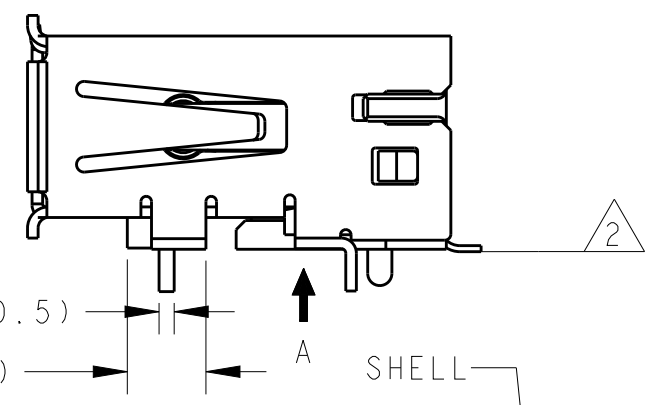
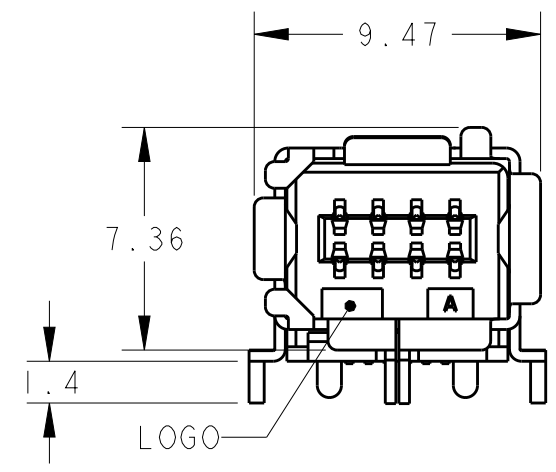
1 MATERIAL AND FINISH
 CONTACT
 COPPER ALLOY
 UNDER ALL SURFACE Ni 1.27μm MIN
 TOP CONTACT AREA Au 0.5μm MIN
 SOLDERING AREA Au FLASH

HOUSING
 THERMO PLASTIC(UL94V-0)

SHELL
 COPPER ALLOY
 UNDER ALL SURFACE Ni
 TOP ALL SURFACE Sn

2 COPLANARITY 0.1 MAX(TOP OF LEAD)

3 DIMENSION DECIDED BY CUSTOMER.



RECOMMENDED BOARD DIMENSION
 (CONNECTOR SIDE) ±1.6
 TOLERANCE ±0.05

THIS DRAWING IS A CONTROLLED DOCUMENT.

DIMENSIONS: mm	TOLERANCES UNLESS OTHERWISE SPECIFIED: ±0.2
	0 PLC ±
	1 PLC ±
	2 PLC ±
	3 PLC ±
	4 PLC ±
	ANGLES ±
MATERIAL	FINISH

DWN	S. INOMATA	13NOV2007
CHK	I. HASAGAWA	13NOV2007
APVD	I. HASAGAWA	13NOV2007
PRODUCT SPEC	108-78405	
APPLICATION SPEC	114-32132	
WEIGHT	-	
CUSTOMER DRAWING		

TRAY (SEE SHEET 2 OF 2)		1981080-1	
PACKAGING STYLE		PART NO.	
STE TE Connectivity			
NAME INDUSTRIAL MINI I/O CONN. 1.27MM PITCH 8P HDR ASSY D-SHAPE TYPE I			
SIZE	CAGE CODE	DRAWING NO	RESTRICTED TO
A3	-	1981080	
SCALE 4:1		SHEET 1 OF 2	REV B

4

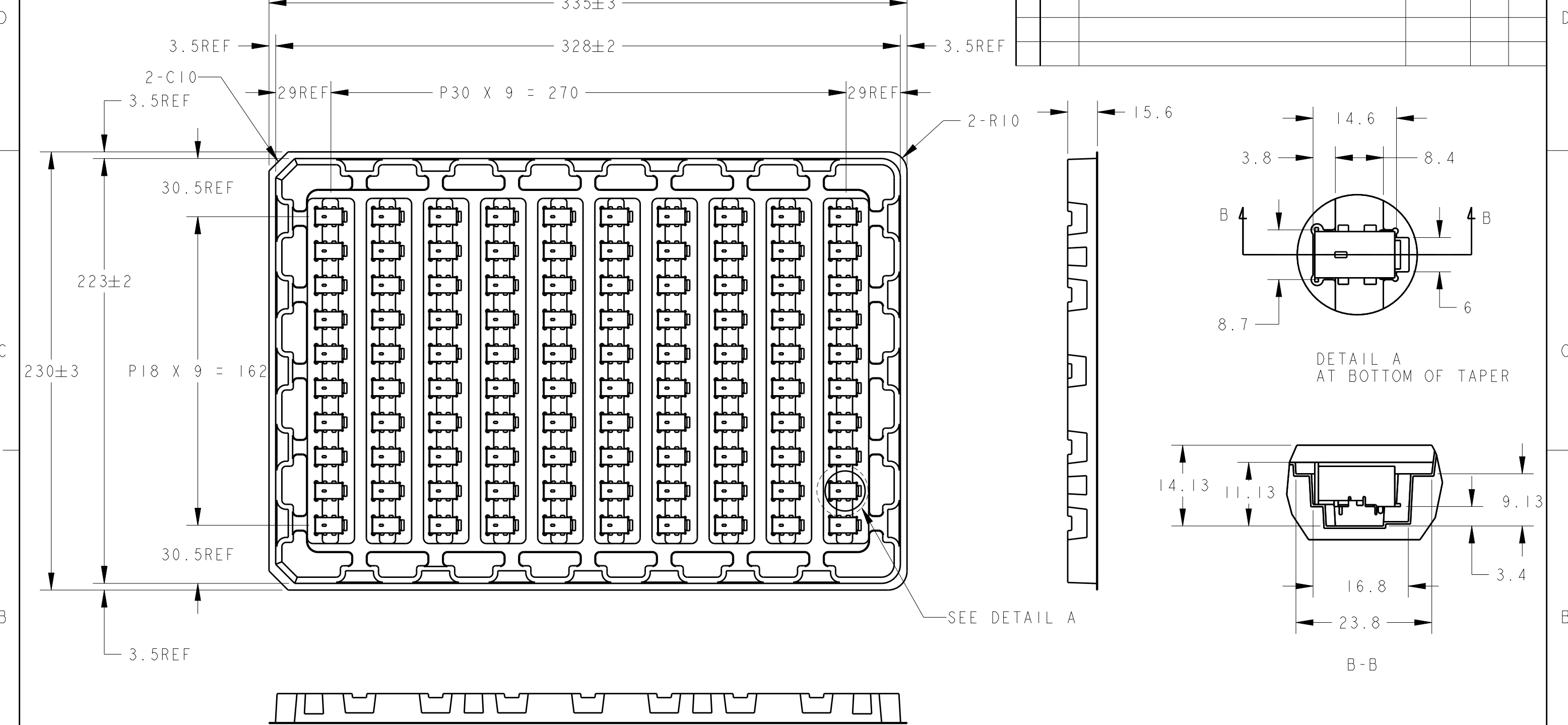
3

2

1

THIS DRAWING IS UNPUBLISHED. RELEASED FOR PUBLICATION
 © COPYRIGHT - BY - ALL RIGHTS RESERVED.

REVISIONS					
P	LTR	DESCRIPTION	DATE	DWN	APVD
-	-	SEE SHEET 1	-	-	-



- 4. TRAY MATERIAL : POLYSTYRENE
- 5. PRODUCT QUANTITY: 100/1TRAY
- 6. MOISTURE SENSITIVE LEVEL: 5

THIS DRAWING IS A CONTROLLED DOCUMENT.		DWN - SEE SHEET 1		TE Connectivity	
DIMENSIONS: mm		CHK - SEE SHEET 1			
		APVD - SEE SHEET 1		NAME: INDUSTRIAL MINI I/O CONN. 1.27MM PITCH 8P HDR ASSY D-SHAPE TYPE 1	
		TOLERANCES UNLESS OTHERWISE SPECIFIED: ± 0.5		SIZE: A3	
MATERIAL: 4		FINISH		CAGE CODE: -	
				DRAWING NO: C-1981080	
				RESTRICTED TO	
				SCALE: 1:2	
				SHEET: 2 OF 2	
				REV: B	
				CUSTOMER DRAWING	