

7.0mm X 30.0mm Single Color Light Bar

Features:

- *High segment intensity
- *Wide viewing angle
- *Range of colors
- *Black face White segment
- *RoHS compliant

Available option:

- *Alternative face and segment color
- *Cropped terminal pins
- *Available emitting color
- *Low current version

Electro/Optical Characteristics If=20mA Ta=25°C

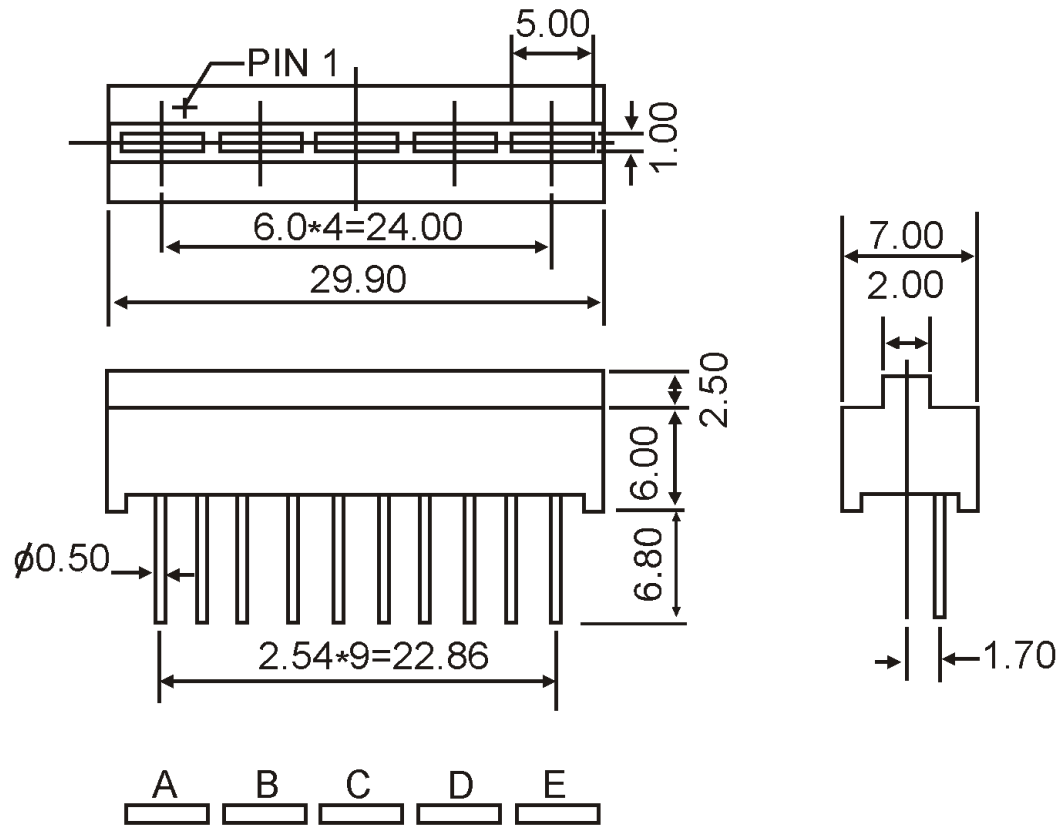
Part Number	Emitting Color	Peak Wavelength	Forward Voltage V _F /Seg.		Luminous Intensity I _v /Seg.	
			Typ.	Max.	Min.	Typ.
	GaP/GaP Red	700	2.25	2.50	0.40	0.80
LN-BL005HR	GaAlAs/GaAs SH Hi-Red	660	1.80	2.20	8.00	12.00
LN-BL005SR	GaAlAs/GaAs DH Super Red	660	1.80	2.20	22.00	28.00
LN-BL005O	GaAsP/GaP Orange	632	2.10	2.50	8.00	12.00
LN-BL005Y	GaAsP/GaP Yellow	585	2.10	2.50	4.00	7.00
LN-BL005G	GaP/GaP Green	568	2.20	2.50	7.00	11.00
Units		nm	V		mcd	

Maximum Ratings Ta=25°C (Derate above 25°C)

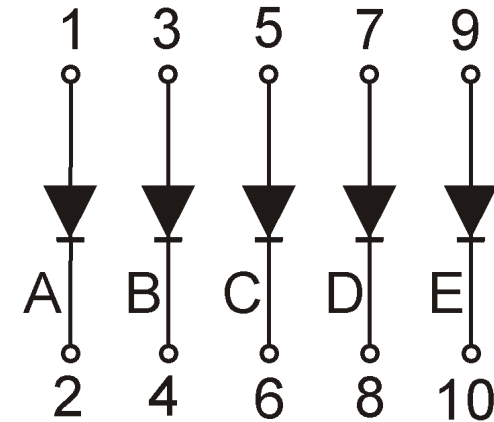
Characteristic	Test Condition	Symbol	HR	SR	O	Y	G	Units
Pulse Forward Current Per Seg.	1/10 duty cycle 0.1ms Pulse width	I _{FP}	50	100	100	100	100	mA
DC Forward Current Per Seg.		I _F	15	25	25	30	30	mA
Reverse Current Per Seg.	V _R =5V	I _R	10	10	10	10	10	μA
Power Dissipation		P _D	40*5	60*5	60*5	80*5	80*5	mW
Operating Temperature		T _{OPR}	-40 to +80					°C
Storage Temperature		T _{TSG}	-40 to +85					°C
Lead soldering temperature	1.60mm from body maximum 3 seconds		260					°C

7.0mm X 30.0mm Single Color Light Bar

PACKAGE DIMENSION



INTERNAL CIRCUIT DIAGRAM



Tolerance ± 0.25 mm unless stated