

## MICO Electronic auxiliary circuit, 4 channels IN: 24VDC OUT: 24V/4-6-8-10ADC

MICO 4.10  
4 channels  
Current adjustment 4, 6, 8, 10 A

## Image



- Fire protection (EN 60950-1)
- Operating voltage protection (EN 61131-2)
- Operating state memory device (EN 61131-1)

Vicarious picture

## Approvals



## Technical Data

Operating voltage	24 V DC (18...30 V DC)
Current adjustment	4 A, 6 A, 8 A, 10 A, by countersunk rotary switch, sealed
Inrush capacity	max. 20 mF (per channel)
Group alarm output	potential free alarm output 30 V AC/DC, 100 mA
Remote start (ON)	10...30 V DC
Impulse length	min. 20 ms

## General data

Connection	Spring clamp terminals
Input terminals	2 × 16 mm <sup>2</sup>
Output terminals	per output 1 × 4 mm <sup>2</sup>
Alarm terminals	2.5 mm <sup>2</sup>
Bridging concept	two sides, with spring clamp terminals or bridge set (max. 40 A)
Mounting method	DIN-rail mountable TH35 (EN 60715)
Temperature range	0...+55 °C (storage temperature -40...+80 °C)

## Commercial data

Net weight	158
Weight unit	Gram
Basic unit	pc.
Customs tariff number	85363010
Unit (piece)	1
Minimum order quantity (piece)	1

All data on this data sheet was compiled carefully.

Liability regarding correctness, completeness, and actuality is limited to gross negligence. Created: 10/13

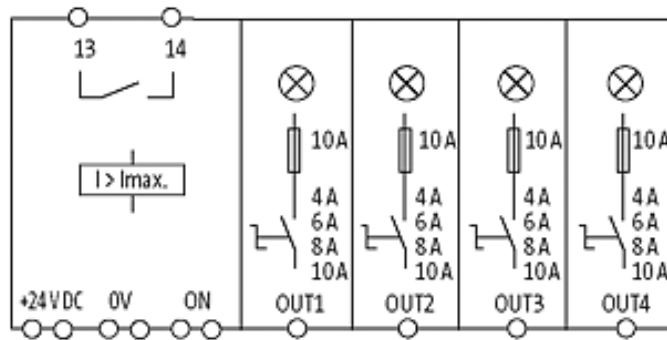
**Functions**

---

---

---

## Circuit diagram



## Dimension drawing

