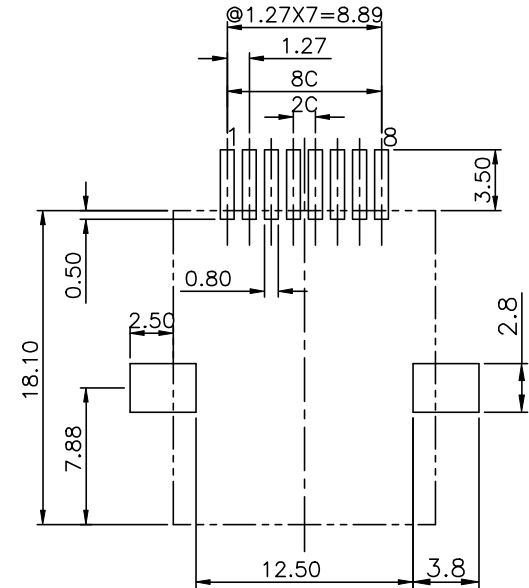
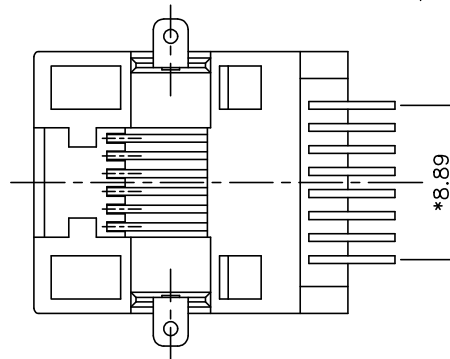
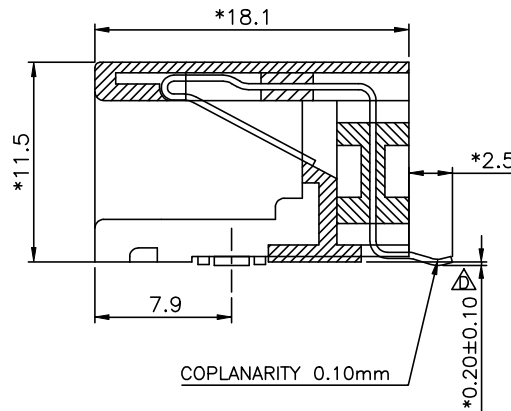
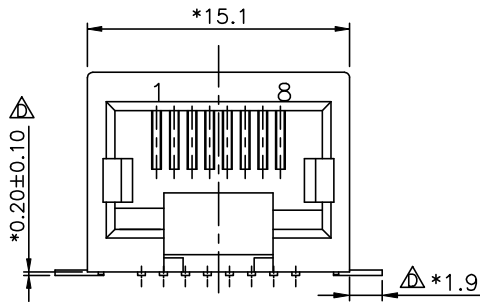


RoHS

THIS IS A RoHS COMPLIANT COMPONENT/PRODUCT.



PC BOARD LAYOUT
COMPONENT SIDE SHOWN

NOTES:

ELECTRICAL:

- 1. VOLTAGE RATING : 125 VAC.
- 2. CURRENT RATING : 1.5 AMP.
- 3. CONTACT RESISTANCE : 35 MILLIOHMS MAX.
- 4. INSULATION RESISTANCE : 1000 MEGOHMS MIN. @ 500 VDC.
- 5. DIELECTRIC STRENGTH : 1000 VAC 60Hz, 1MIN.

MECHANICAL:

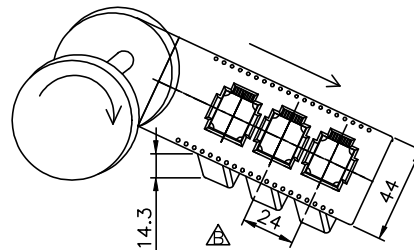
- 1. HOUSING MATERIAL : HIGH TEMP. UL94V-0 BK.
- 2. CONTACT MATERIAL : PHOSPHOR BRONZE t=0.35mm.
- 3. PLATING : GOLD PLATING OVER NICKEL.
- 4. OPERATING LIFE : 750 CYCLES MIN.
- 5. PCB RETENTION POST-SOLDER : 10 LBS MIN.

ENVIRONMENTAL:

- 1. STORAGE : -40°C TO +85°C.
 - 2. OPERATION : -40°C TO +85°C.
 - 3. REFLOW SOLDERING TEMP. : 255°C~265°C (5~10 SECONDS).
- MATES WITH MODULAR PLUG CONFORMING TO FCC PART 68, SUBPART F.

ORDERING INFORMATION:

PART NUMBER	PRODUCT CODE	CONFIGURATION
3253-0007-01	RJJU-88-121-E3H-009	6U" GOLD PLATING
3253-0007-02	RJJU-88-141-E3H-009	30U" GOLD PLATING



UL US UL RECOGNIZED - FILE #E465899

MARK	ECN-NO.	REVISION RECORD	DRAWN	DATE
△X3		MODIFY DRAWING	ROCK	061212'
△X1		ADD NEW P/N	YANG	080409
△X2		MODIFY DESIGN	YANG	121608
△X0	000000	NEW DESIGN	LINGER	102706

NAME	UNLESS OTHERWISE SPECIFIED TOLERANCE		SCALE	CHECKED
	Dimension Range	Tolerance	2.5/1	
encitech	X.X	±0.20	UNIT	APPROVED
	X.XX	±0.15	mm	
	X.XXX	±0.10	SIZE	A3
	ANGLE	±5°		
Material/Plated/Notes	SEE NOTE			SHEET 1/1
NAME	SIDE ENTRY 8P SMT JACK PEG OUT			
Part No.	SEE NOTE			REV. D
Tooling No.	DOC. NO.			