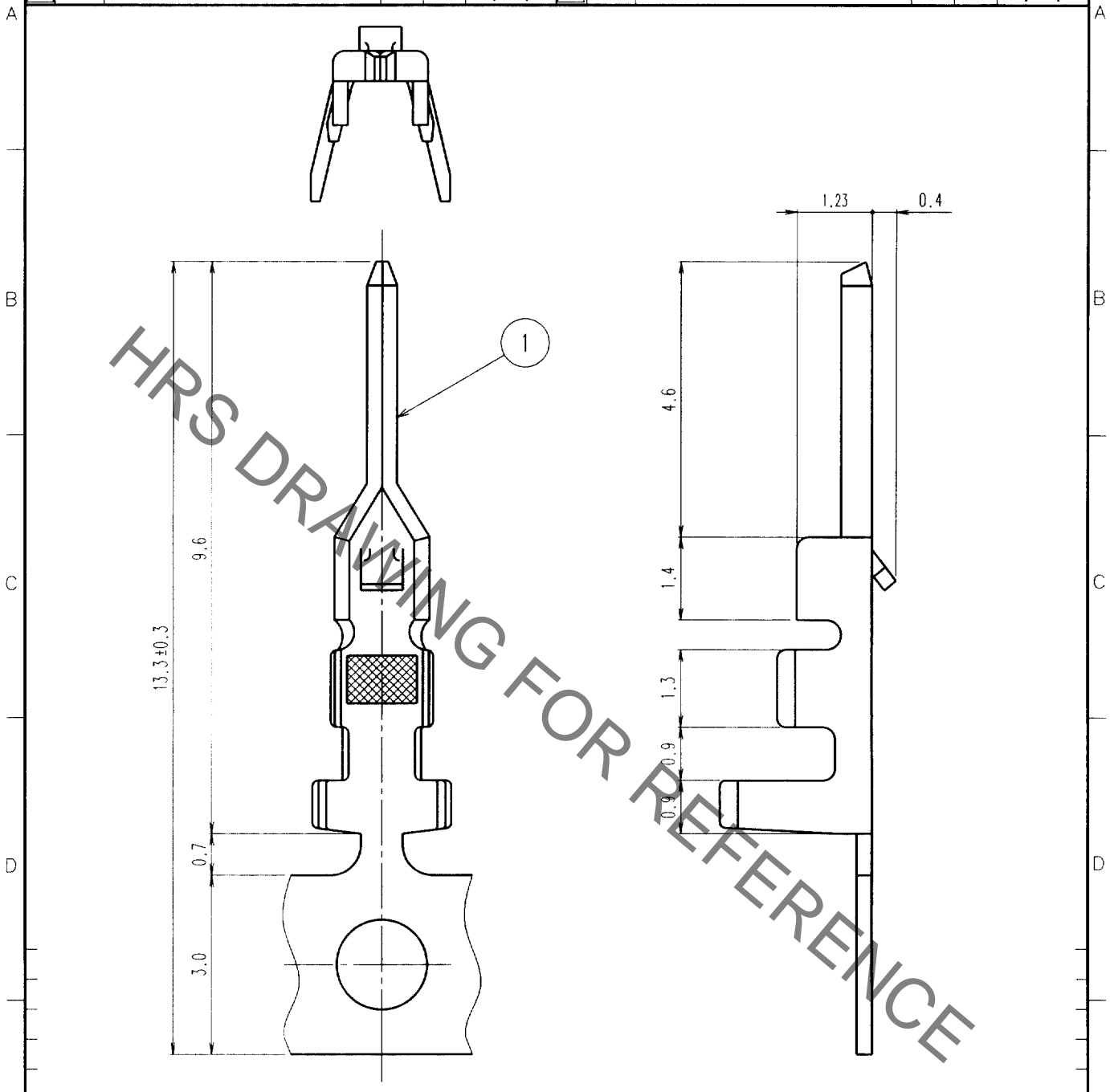


Feb. 1. 2021 Copyright 2021 HIROSE ELECTRIC CO., LTD. All Rights Reserved.
 In case of consideration for using Automotive equipment / device which demand high reliability, kindly contact our sales window correspondents.

1	2	3	4						
COUNT	DESCRIPTION OF REVISIONS	BY	CHKD	DATE	COUNT	DESCRIPTION OF REVISIONS	BY	CHKD	DATE
△				..	△				..
△				..	△				..
△				..	△				..



HRS DRAWING FOR REFERENCE

NOTES 1. 1 REEL : 10000 CONTACTS.
 2. TOLERANCES TO BE ±0.2 UNLESS OTHERWISE SPECIFIED.

NO.		MATERIAL		FINISH, REMARKS		1		PHOSPHOR BRONZE		TIN PLATED	
CODE NO. (OLD)		DRAWN		DESIGNED		CHECKED		APPROVED		RELEASED	
		Y. Inoue		T. Miyazaki		K. Akiyama		K. Katayose			
		'98.10.19		'98.10.19		'98.10.19		'98.10.20			
SCALE		DRAWING NO.				PART NO.					
10 : 1		EDC4-020374				DF3-EP2428PCF					
UNITS		HRS HIROSE ELECTRIC CO., LTD.				CODE NO.				1/1	
mm						CL543-0062-7					

TO