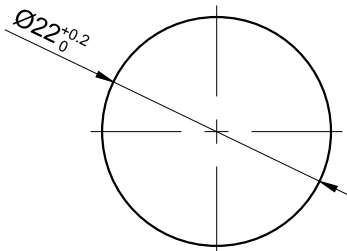
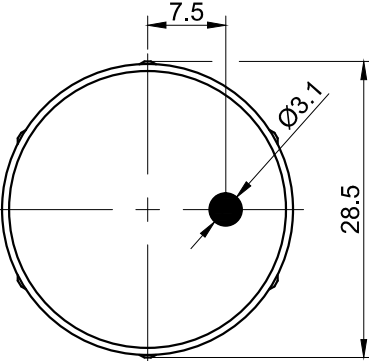
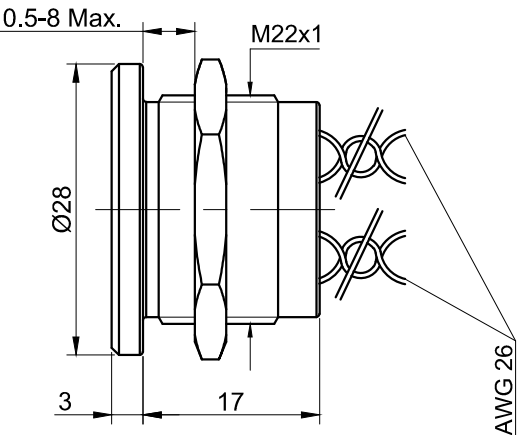
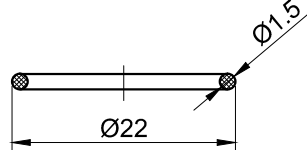


FOR 客户名称	APPROVED 客户确认签字	ATTN 销售负责人

The shaded part is illuminated

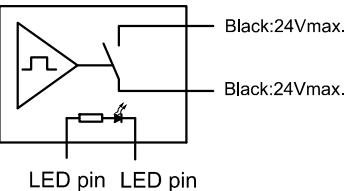


PANEL CUTOUT  
MAX.PANEL THICKNESS  
8 mm



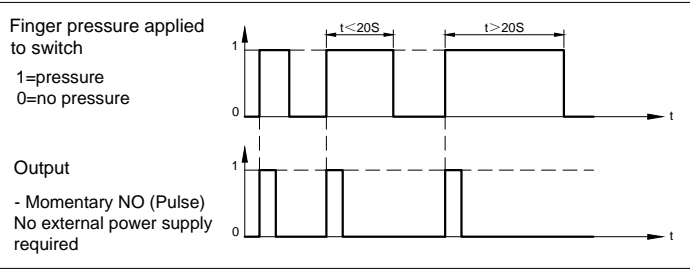
Seal Ring

Part Number:PS223P10Y◆1△▲



Wiring Diagram

"◆"	Colour/Materials	"△"	Lamp Color	"▲"	Lamp Voltage
NT	Natural anodized (Al alloy)	R	Red	05D	Dot illumination -5VDC
BU	Blue anodized (Al alloy)	G	Green	12D	Dot illumination -12VDC
BK	Black anodized (Al alloy)	Y	Yellow	24D	Dot illumination -24VDC
GD	Gold anodized (Al alloy)	B	Blue		
RD	Red anodized (Al alloy)	W	White		
SS	Stainless steel				
GN	Green anodized (Al alloy)				



**SPECIFICATIONS:**

- 1.Switch Operation: Momentary NO (Pulse) .
- 2.Max.Switch Rating: 200mA 24VAC/DC.
- 3.Operation Life: 50 Million cycles.
- 4.Wiring: AWG 26, Length 300mm.
- 5.IP Class: IP68.
- 6.Operating Temperature: -40°C~ +75°C.
- 7.Operating Force: About 5~10N.

**MATERIALS:**

- 1.Body:Al Alloy/Stainless steel.

BRAND 品牌	<b>ONPOW</b>	<b>红波按钮制造有限公司</b> ONPOW PUSH BUTTON MANUFACTURE CO.,LTD.	
THESE DRAWINGS AND SPECIFICATIONS ARE THE PROPERTY OF ONPOW PUSH BUTTON MANUFACTURE CO.,LTD. AND SHALL NOT BE REPRODUCED COPIED OR USED IN ANY MANNER WITHOUT THE PRIOR WRITTEN CONSENT OF ONPOW PUSH BUTTON MANUFACTURE CO.,LTD.		USED 用途	APPD 审核 CH 2020/05/12
		FINISH 处理	CHKD 校对 NCH 2020/05/12
SCALE 比例 1.4 / 1	UNIT 单位 mm	DR. 制图 ZPD 2020/05/12	
DIMENSIONS	TOLERANCE	TITLE 名称	
0.00 TO 18.00mm	±0.43mm	Piezo electric Switch	
18.01 TO 30.00mm	±0.52mm	DWG NO. 图号	SIZE 图纸 A4
30.01 TO 50.00mm	±0.62mm	PS223P10-D	
50.01 TO 80.00mm	±0.74mm	FILE NAME 档案名称 PS223P.DWG	SHEET 张 1 / 1
			REV. 更改 1