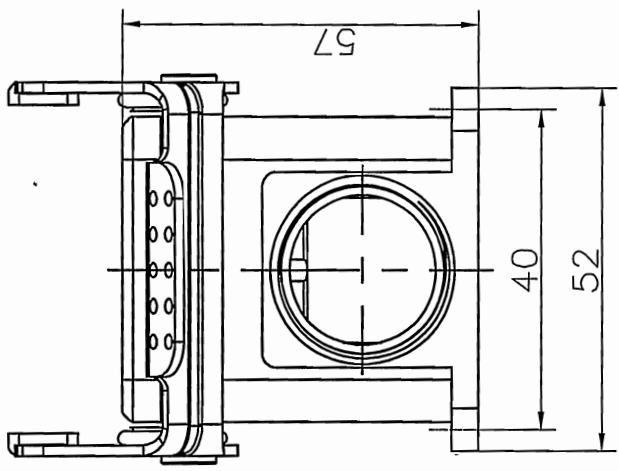
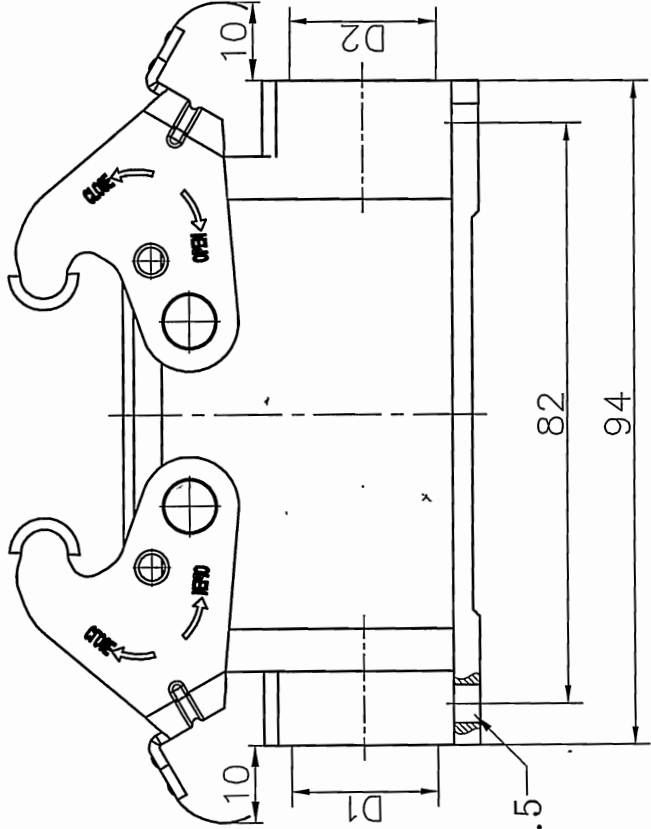
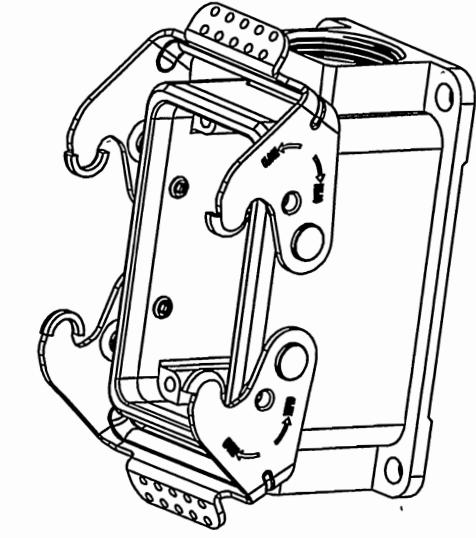


TYPE	Thread		Selection
	D1	D2	
D10B-SF-2L-M20	M20	—	
D10B-SF-2L-2M20	M20	M20	
D10B-SF-2L-M25	M25	—	
D10B-SF-2L-2M25	M25	M25	
D10B-SF-2L-PG16	PG16	—	
D10B-SF-2L-2PG16	PG16	PG16	

REVISION RECORD				
REV	ECN	DESCRIPTION	DRFT	DATE



**Housings Feature**

- 01. Material: aluminium die-cast
- 02. Surface: Powder-coated
- 03. Color: grey (RAL 7037)
- 04. Material: Metal (Lever)
- 05. Sealing: NBR
- 06. Limiting temperature: -40°C ~ +125°C
- 07. Flammability acc to UL94: V0
- 08. Degree of protection acc.to EN60529 for coupled connector: IP65
- 09. Rohs compliance

PART NO.:	/	NINGBO DEGSON ELECTRICAL CO., LTD
APPD:	M/S 2017.7.1	NAME: D10B-SF-2L-M/PG
CHKD:	CH/K 2017.7.1	TITLE: CUSTOMER DRAWING
DRFT:	Mr.yang 2017/06/28	REV: D0-1
DETAILED LISTS		DRAWING NO.: 1/1
THIRD ANGLE PROJECTION		DO NOT SCALE DRAWING
		SCALE: 1:1